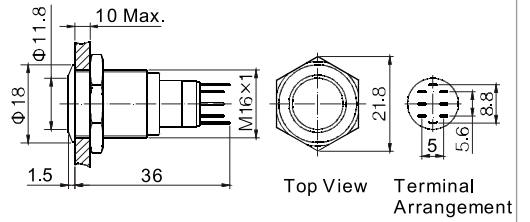


METAL PUSH BUTTON



LAS2GQF-□■□◎

- ◎ Φ 16 mm diameter
- ◎ Switch Rating:3A/250VAC
- ◎ Contact Configuration:1NO1NC / 2NO2NC
- ◎ Operation Type: Momentary / Alternate
- ◎ The Front Shape: Flat Round
- ◎ The crust material: Stainless Steel / Nickel Plated Brass
- ◎ IP Degree:IP40/IP67

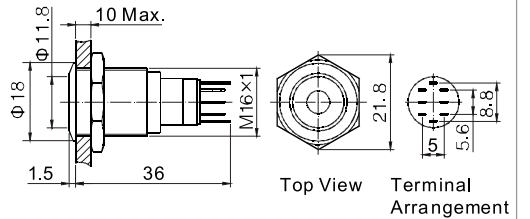


METAL DOT ILLUMINATED PUSH BUTTON



LAS2GQF-□■ D/▲▲/◎

- ◎ Φ 16 mm diameter
- ◎ Switch Rating:3A/250VAC
- ◎ Contact Configuration:1NO1NC / 2NO2NC
- ◎ Operation Type: Momentary / Alternate
- ◎ The Front Shape: Flat Round
- ◎ The crust material: Stainless Steel / Nickel Plated Brass
- ◎ Dot Illuminated
- ◎ IP Degree:IP40/IP67

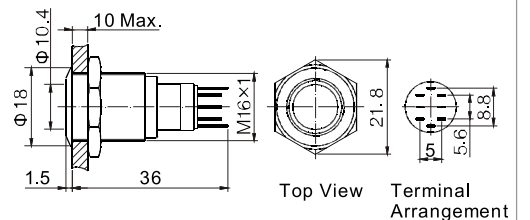


METAL RING ILLUMINATED PUSH BUTTON



LAS2GQF-□■ E /▲/▲/◎

- ◎ Φ 16 mm diameter
- ◎ Switch Rating:3A/250VAC
- ◎ Contact Configuration:1NO1NC / 2NO2NC
- ◎ Operation Type: Momentary / Alternate
- ◎ The Front Shape: Flat Round
- ◎ The crust material: Stainless Steel / Nickel Plated Brass
- ◎ Ring Illuminated
- ◎ IP Degree:IP40/IP67

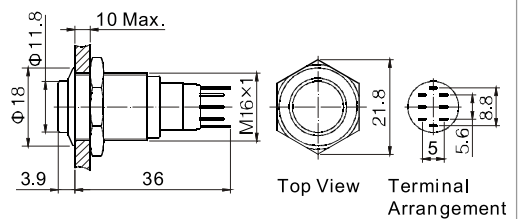


METAL PUSH BUTTON



LAS2GQH-□■□◎

- ◎ Φ 16 mm diameter
- ◎ Switch Rating:3A/250VAC
- ◎ Contact Configuration:1NO1NC / 2NO2NC
- ◎ Operation Type: Momentary / Alternate
- ◎ The Front Shape: High Round
- ◎ The crust material: Stainless Steel / Nickel Plated Brass
- ◎ IP Degree:IP40/IP67

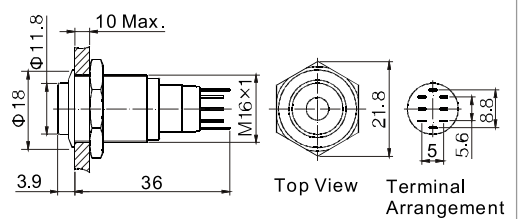


METAL DOT ILLUMINATED PUSH BUTTON



LAS2GQH-□■ D/ /▲/◎

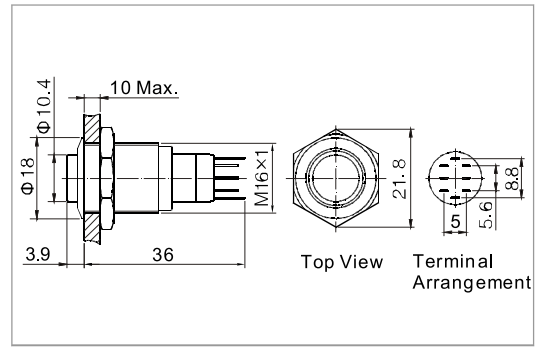
- ◎ Φ 16 mm diameter
- ◎ Switch Rating:3A/250VAC
- ◎ Contact Configuration:1NO1NC / 2NO2NC
- ◎ Operation Type: Momentary / Alternate
- ◎ The Front Shape: High Round
- ◎ The crust material: Stainless Steel / Nickel Plated Brass
- ◎ Dot Illuminated
- ◎ IP Degree:IP40/IP67



METAL RING ILLUMINATED PUSH BUTTON



- ⊙ Φ 16 mm diameter
- ⊙ Switch Rating: 3A/250VAC
- ⊙ Contact Configuration: 1NO1NC / 2NO2NC
- ⊙ Operation Type: Momentary / Alternate
- ⊙ The Front Shape: High Round
- ⊙ The crust material: Stainless Steel/ Nickel Plated Brass
- ⊙ Ring Illuminated
- ⊙ IP Degree: IP40/IP67



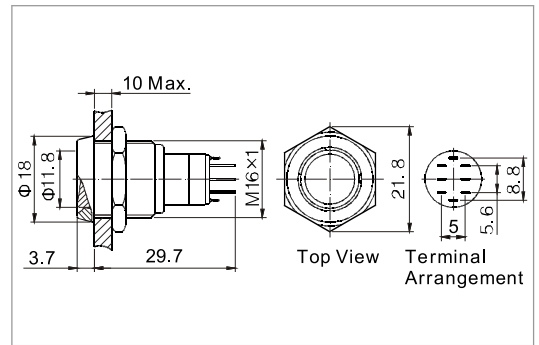
Specification	LAS2GQF-□■ /⊙ LAS2GQH-□■ /⊙	LAS2GQF-□■ D/△/▲/⊙ LAS2GQH-□■ D/△/▲/⊙	LAS2GQF-□■ E/△/▲/⊙ LAS2GQH-□■ E/△/▲/⊙
The Front Shape	Flat Round High Round	Flat Round High Round	Flat Round High Round
Terminal Type	Pin Terminal(1.8× 0.4mm)	Pin Terminal(1.8× 0.4mm)	Pin Terminal(1.8× 0.4mm)
Switching	No.3	No.3	No.3
Max.Switch Rating	Ith:3A Ui:250VAC	Ith:3A Ui:250VAC	Ith:3A Ui:250VAC
Contact Resistance	≤ 50mΩ	≤ 50mΩ	≤ 50mΩ
Insulation Resistance	≥ 1000MΩ	≥ 1000MΩ	≥ 1000MΩ
Dielectric Strength	2000VAC	2000VAC	2000VAC
Operating Temp	-20 °C ~ +55 °C	-20 °C ~ +55 °C	-20 °C ~ +55 °C
Mechanical life	1,000,000 cycles	1,000,000 cycles	1,000,000 cycles
Electrical life	50,000 cycles	50,000 cycles	50,000 cycles
Panel Thickness	1 ~ 10mm	1 ~ 10mm	1 ~ 10mm
Torque	5 ~ 14Nm	5 ~ 14Nm	5 ~ 14Nm
Operation Pressure	2.5~4N	2.5~4N	2.5~4N
Operation Distance	About 2.8mm	About 2.8mm	About 2.8mm
IP Degree	IP40/IP67	IP40/IP67	IP40/IP67
Material	Contact	Silver Alloy	Silver Alloy
	Button	Stainless Steel/Nick el Plated Brass	Stainless Steel/Nick el Plated Brass
	Body	Stainless Steel/Nick el Plated Brass	Stainless Steel/Nick el Plated Brass
	Base	PBT	PBT
	RoHS	Made to order	Made to order
LED Spec.	Type	Without Lamp	Dot Illuminated(LED)
	Rated Voltage	---	6V / 12V / 24V / 110V / 220V
	Color	---	R G Y O B W
	Life	---	40000 hours

ANTI-VANDAL METAL PUSH BUTTON



LAS2GQC-□■ /◎

- ◎ Φ16mm diameter
- ◎ Switch Rating:3A/250VAC
- ◎ Contact Configuration:1NO1NC / 2NO2NC
- ◎ Operation Type: Momentary / Alternate
- ◎ The Front Shape: Concave Round
- The crust material: Stainless Steel/
- ◎ Nickel Plated Brass
- ◎ IP Degree:IP67

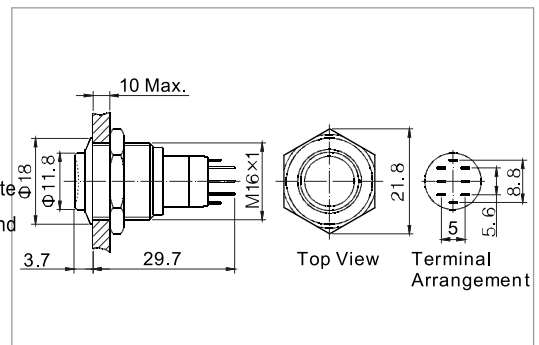


ANTI-VANDAL METAL COLORIZED PUSH BUTTON



LAS2GQG-□■ /◎

- ◎ Φ16mm diameter
- ◎ Switch Rating:3A/250VAC
- ◎ Contact Configuration:1NO1NC / 2NO2NC
- ◎ Operation Type: Momentary / Alternate
- ◎ The Front Shape: High Concave Round
- The crust material: Stainless Steel/
- Nickel Plated Brass
- ◎ IP Degree:IP67
- ◎ Head Color: R G Y O B W



Specification	LAS2GQC-□■ /◎	LAS2GQG-□■ /◎	
The Front Shape	Concave Round	High Concave Round	
Terminal Type	Pin Terminal(1.8× 0.4mm)	Pin Terminal(1.8× 0.4mm)	
Switching	No.3	No.3	
Max.Switch Rating	Ith:3A Ui:250VAC	Ith:3A Ui:250VAC	
Contact Resistance	≤ 50mΩ	≤ 50mΩ	
Insulation Resistance	≥ 1000MΩ	≥ 1000MΩ	
Dielectric Strength	2000VAC	2000VAC	
Operating Temp	-20 °C ~ +55 °C	-20 °C ~ +55 °C	
Mechanical life	1,000,000 cycles	1,000,000 cycles	
Electrical life	50,000 cycles	50,000 cycles	
Panel Thickness	1 ~ 10mm	1 ~ 10mm	
Torque	5 ~ 14Nm	5 ~ 14Nm	
Operation Pressure	2.5~4N	2.5~4N	
Operation Distance	About 2.8mm	About 2.8mm	
IP Degree	IP40/IP67	IP40/IP67	
Head Color	Local Colour	R G Y O B W	
Material	Contact	Silver Alloy	Silver Alloy
	Button	Stainless Steel/Nickel Plated Brass	Zn-Al alloy
	Body	Stainless Steel/Nickel Plated Brass	Stainless Steel/Nickel Plated Brass
	Base	PBT	PBT
	RoHS	Made to order	Made to order