



DATA DISPLAY GROUP

---

# Datasheet

**AUO**

**G084SN05V9**

UP-02-074

The information contained in this document has been carefully researched and is, to the best of our knowledge, accurate. However, we assume no liability for any product failures or damages, immediate or consequential, resulting from the use of the information provided herein. Our products are not intended for use in systems in which failures of product could result in personal injury. All trademarks mentioned herein are property of their respective owners. All specifications are subject to change without notice.

---



**Preliminary Specifications**  
**Final Specifications**

|                   |                        |
|-------------------|------------------------|
| <b>Module</b>     | 8.4 Inch Color TFT-LCD |
| <b>Model Name</b> | G084SN05 V9            |

| <b>Customer</b>                  | <b>Date</b> |
|----------------------------------|-------------|
| _____                            | _____       |
| <b>Checked &amp; Approved by</b> |             |
| _____                            | _____       |

Note: This Specification is subject to change without notice.

| <b>Approved by</b> | <b>Date</b>      |
|--------------------|------------------|
| <u>Grace Hung</u>  | <u>2014/3/18</u> |
| <b>Prepared by</b> |                  |
| <u>Johnson Lin</u> | <u>2014/3/18</u> |

General Display Business Division /  
AU Optronics corporation

## Contents

|  |           |
|--|-----------|
| <b>1. Operating Precautions .....</b>                          | <b>4</b>  |
| <b>2. General Description .....</b>                            | <b>5</b>  |
| 2.1 Display Characteristics .....                              | 5         |
| 2.2 Optical Characteristics .....                              | 6         |
| <b>3. Functional Block Diagram .....</b>                       | <b>9</b>  |
| <b>4. Absolute Maximum Ratings.....</b>                        | <b>10</b> |
| 4.1 Absolute Ratings of TFT LCD Module.....                    | 10        |
| 4.2 Absolute Ratings of Environment.....                       | 10        |
| <b>5. Electrical Characteristics.....</b>                      | <b>11</b> |
| 5.1 TFT LCD Module .....                                       | 11        |
| 5.2 Backlight Unit.....  | 13        |
| <b>6. Signal Characteristic.....</b>                           | <b>14</b> |
| 6.1 Pixel Format Image.....                                    | 14        |
| 6.2 Signal Description .....                                   | 15        |
| 6.3 Scanning Direction.....                                    | 16        |
| 6.4 The Input Data Format.....                                 | 17        |
| 6.5 Interface Timing .....                                     | 18        |
| 6.6 Power ON/OFF Sequence .....                                | 19        |
| <b>7. Connector &amp; Pin Assignment .....</b>                 | <b>20</b> |
| 7.1 TFT LCD Signal (CN1): LVDS Connector .....                 | 20        |
| 7.2 LED Backlight Unit (CN2): LED Driver Connector.....        | 20        |
| 7.3 LED Light Bar Input Connector (CN3): .....                 | 21        |
| <b>8. Reliability Test Criteria.....</b>                       | <b>21</b> |
| <b>9. Mechanical Characteristics .....</b>                     | <b>22</b> |
| 9.1 LCM Front View .....                                       | 22        |
| 9.2 LCM Rear View.....   | 23        |
| <b>10. Label and Packaging.....</b>                            | <b>24</b> |
| 10.1 Shipping Label (on the rear side of TFT-LCD display)..... | 24        |
| 10.2 Carton Package .....                                      | 24        |
| <b>11 Safety.....</b>  | <b>25</b> |
| 11.1 Sharp Edge Requirements.....                              | 25        |
| 11.2 Materials.....  | 25        |
| 11.3 Capacitors .....  | 25        |
| 11.4 National Test Lab Requirement.....                        | 25        |

**Record of Revision**

| <b>Version and Date</b> | <b>Page</b> | <b>Old description</b>   | <b>New Description</b>  |
|-------------------------|-------------|--|---|
| 0.0 2011/04/07          |             | First Edition  |   |
| 0.1 2011.08/01          | 5           |  | Update Input Voltage, Power Consumption, Weight                           |
|                         | 6           |  | Update Response Time  |
|                         | 11          |  | Update Power Specification  |
|                         | 13          |  | Update Parameter guideline for LED backlight                              |
|                         | 20, 21      |  | Update LED Connector, Cable Color   |
| 1.0 2011/12/28          | 6           | White Luminance condition @ $I_F = 80\text{mA}$                                  | White Luminance condition @ $I_F = 50\text{mA}$                           |
|                         | 6           | TBD  | Update Optical Characteristics spec.                                      |
|                         | 13          | TBD  | Update Parameter guideline for LED backlight                              |
|                         | 22, 23      | LCM Front, Rear View   | Update LCM Front, Rear View   |
| 2.0 2013/5/3            | 6,15        |  | Color spec, Signal Description (UD / LR)                                  |
| 3.0 2014/3/18           | 5           | 2.1 Display Characteristics<br>Physical Size:<br>203.0(W)x142.5(H)x8.0(D) (typ.) | 2.1 Display Characteristics<br>Physical Size:<br>203.0(W)x142.5(H)x8.0(D) |
| 3.0 2014/3/18           | 22          | 9.1 LCM Front View<br>Thickness 8mm+/-0.3mm                                      | 9.1 LCM Front View<br>Thickness 8mm (max.)                                |
| 3.0 2014/3/18           | 23          | 9.2 LCM Rear View  | 9.2 LCM Rear View   |

## 1. Operating Precautions

- 1) Since front polarizer is easily damaged, please be cautious not to scratch it.
- 2) Be sure to turn off power supply when inserting or disconnecting from input connector.
- 3) Wipe off water drop immediately. Long contact with water may cause discoloration or spots.
- 4) When the panel surface is soiled, wipe it with absorbent cotton or soft cloth.
- 5) Since the panel is made of glass, it may be broken or cracked if dropped or bumped on hard surface.
- 6) To avoid ESD (Electro Static Discharge) damage, be sure to ground yourself before handling TFT-LCD Module.
- 7) Do not open nor modify the module assembly.
- 8) Do not press the reflector sheet at the back of the module to any direction.
- 9) In case if a module has to be put back into the packing container slot after it was taken out from the container, do not press the center of the LED Reflector edge. Instead, press at the far ends of the LED Reflector edge softly. Otherwise the TFT Module may be damaged.
- 10) At the insertion or removal of the Signal Interface Connector, be sure not to rotate nor tilt the Interface Connector of the TFT Module.
- 11) After installation of the TFT Module into an enclosure (Notebook PC Bezel, for example), do not twist nor bend the TFT Module even momentary. At designing the enclosure, it should be taken into consideration that no bending/twisting forces are applied to the TFT Module from outside. Otherwise the TFT Module may be damaged.
- 12) Small amount of materials having no flammability grade is used in the LCD module. The LCD module should be supplied by power complied with requirements of Limited Power Source (IEC60950 or UL1950), or be applied exemption.
- 13) Severe temperature condition may result in different luminance, response time.
- 14) Continuous operating TFT-LCD Module under high temperature environment may accelerate LED light bar exhaustion and reduce luminance dramatically.
- 15) The data on this specification sheet is applicable when LCD module is placed in landscape position.
- 16) Continuous displaying fixed pattern may induce image sticking. It is recommended to use screen saver or shuffle content periodically if fixed pattern is displayed on the screen.

## 2. General Description

This specification applies to the 8.4 inch color TFT LCD module G084SN05 V9.

G084SN05 V9 designed with wide viewing angle; wide operating temperature and long life LEDs backlight is well suited to be the display units for Industrial Applications.

LED driving board for backlight unit is included in this panel and the structure of the LED units is replaceable.

G084SN05 V9 is built in timing controller and LVDS interface.

The screen format is intended to support the SVGA (800(H) x 600(V)) screen and 16.2M (RGB 8-bits) or 262k colors (RGB 6-bits).

G084SN05 V9 is a RoHS product.

### 2.1 Display Characteristics

The following items are characteristics summary on the table under 25°C condition:

| Items   | Unit         | Specifications                                       |
|---|--------------|--|
| Screen Diagonal   | [inch]       | 8.4 ( 213.4mm )                                      |
| Active Area   | [mm]         | 170.4(H) x 127.8(V)                                  |
| Pixels H x V  |              | 800x3(RGB) x 600                                     |
| Pixel Pitch   | [mm]         | 0.213x 0.213   |
| Pixel Arrangement   |              | R.G.B. Vertical Stripe                               |
| Display Mode  |              | TN, Normally White                                   |
| Nominal Input Voltage VDD                                 | [Volt]       | 3.3 (typ)  |
| Typical Power Consumption                                 | [Watt]       | 2.94 (typ)   |
| Weight  | [Grams]      | 250 (typ)  |
| Physical Size   | [mm]         | 203.0(W) x 142.5(H) x 8.0(D)                         |
| Electrical Interface                                      |              | 1 channel LVDS                                       |
| Surface Treatment   |              | Anti-glare, Hardness 3H                              |
| Support Color   |              | 262K(6-bit) / 16.2M(8-bit)                           |
| Temperature Range<br>Operating<br>Storage (Non-Operating) | [°C]<br>[°C] | -30 to +85 (panel surface temperature)<br>-30 to +85 |
| RoHS Compliance   |              | RoHS Compliance                                      |

## 2.2 Optical Characteristics

The optical characteristics are measured under stable conditions at 25° C (Room Temperature):

| Item  | Unit                 | Conditions                              | Min.  | Typ.  | Max.  | Note    |
|---|----------------------|---|-------|-------|-------|---------|
| White Luminance                             | [cd/m <sup>2</sup> ] | I <sub>F</sub> = 50mA<br>(center point) | 350   | 450   | -     | 1       |
| Uniformity                                  | %                    | 9 Points                                | 70    | 75    | -     | 1, 2, 3 |
| Contrast Ratio                              |                      |   | 400   | 600   | -     | 4       |
| Response Time                               | [msec]               | Rising                                  | -     | 20    | 30    | 5       |
|   | [msec]               | Falling                                 | -     | 10    | 20    |         |
|   | [msec]               | Raising + Falling                       | -     | 30    | 50    |         |
| Viewing Angle                               | [degree]             | Horizontal (Right)<br>CR 10 (Left)      | 70    | 80    | -     | 6       |
|   | [degree]             |   | 70    | 80    | -     |         |
|   | [degree]             | Vertical (Upper)<br>CR 10 (Lower)       | 65    | 80    | -     |         |
| Color / Chromaticity Coordinates (CIE 1931) |                      | Red x                                   | 0.509 | 0.609 | 0.709 | 1       |
|   |                      | Red y                                   | 0.233 | 0.333 | 0.433 |         |
|   |                      | Green x                                 | 0.265 | 0.365 | 0.465 |         |
|   |                      | Green y                                 | 0.47  | 0.57  | 0.67  |         |
|   |                      | Blue x                                  | 0.051 | 0.151 | 0.251 |         |
|   |                      | Blue y                                  | 0.006 | 0.106 | 0.206 |         |
|   |                      | White x                                 | 0.21  | 0.31  | 0.41  |         |
|   |                      | White y                                 | 0.23  | 0.33  | 0.43  |         |
| Color Gamut                                 | %                    |   |       | 45    | -     | 1       |

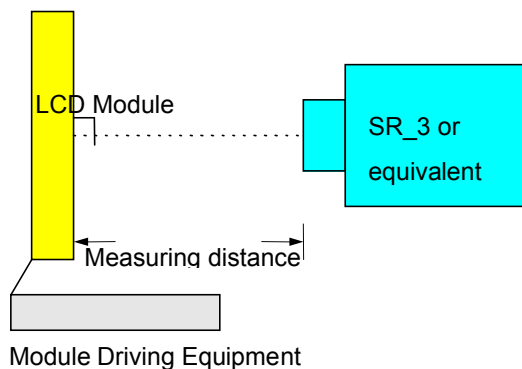
Note 1: Measurement method

Equipment : Pattern Generator, Power Supply, Digital Voltmeter, Luminance meter (SR\_3 or equivalent)

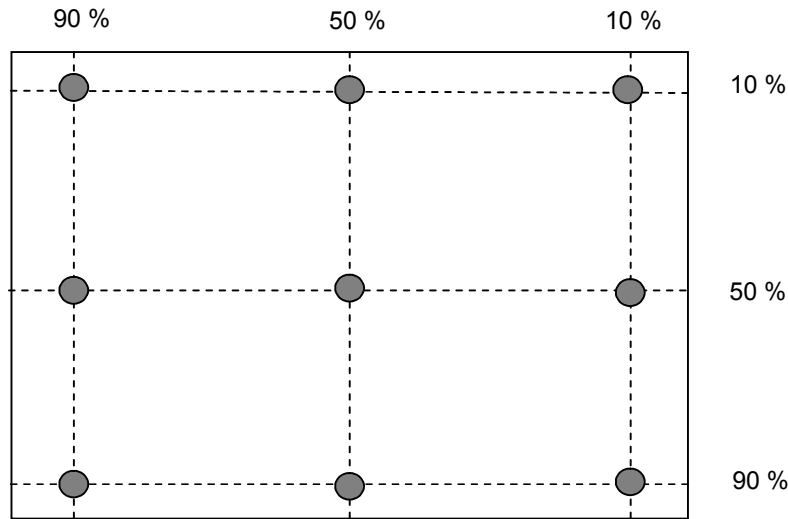
Aperture 1° with 50cm viewing distance

Test Point Center

Environment < 1 lux



Note 2: Definition of 9 points position (Display active area : 170.4(H) x 127.8(V))



Note 3: The luminance uniformity of 9 points is defined by dividing the minimum luminance value by the maximum test point luminance

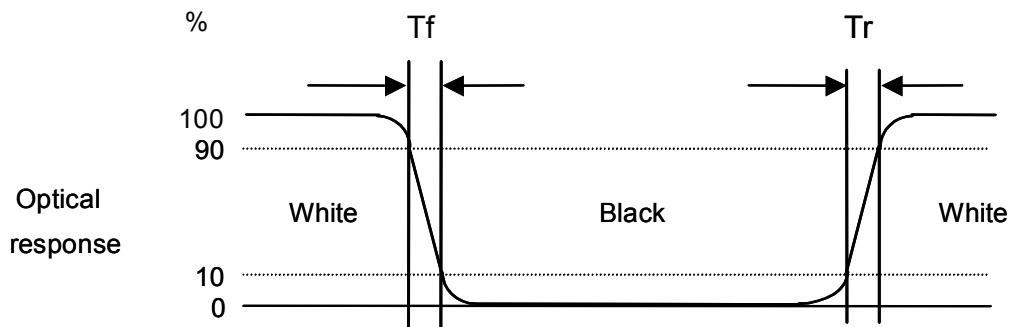
$$w_9 = \frac{\text{Minimum Brightness of nine points}}{\text{Maximum Brightness of nine points}}$$

Note 4 : Definition of contrast ratio (CR):

$$\text{Contrast ratio (CR)} = \frac{\text{Brightness on the "White" state}}{\text{Brightness on the "Black" state}}$$

Note 5: Definition of response time:

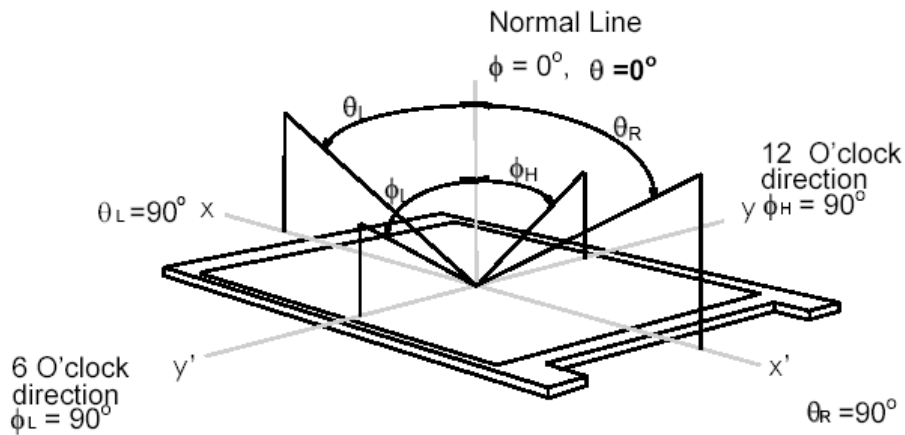
The output signals of photo detector are measured when the input signals are changed from "White" to "Black" (falling time) and from "Black" to "White" (rising time), respectively. The response time interval is between 10% and 90% of amplitudes. Please refer to the figure as below.





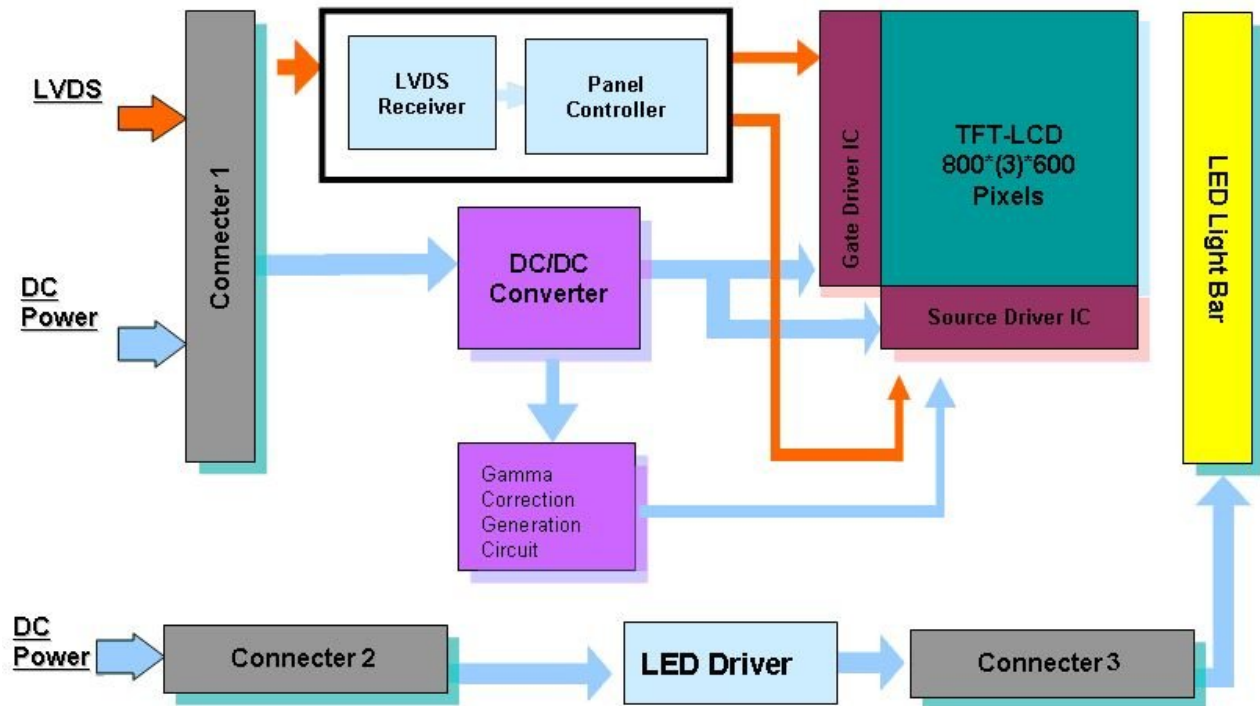
Note 6: Definition of viewing angle

Viewing angle is the measurement of contrast ratio 10, at the screen center, over a 180° horizontal and 180° vertical range (off-normal viewing angles). The 180° viewing angle range is broken down as below: 90° ( $\theta$ ) horizontal left and right, and 90° ( $\Phi$ ) vertical high (up) and low (down). The measurement direction is typically perpendicular to the display surface with the screen rotated to its center to develop the desired measurement viewing angle.



### 3. Functional Block Diagram

The following diagram shows the functional block of the 8.4 inch color TFT/LCD module:



## 4. Absolute Maximum Ratings

### 4.1 Absolute Ratings of TFT LCD Module

| Item                    | Symbol | Min  | Max  | Unit   | Conditions |
|-------------------------|--------|------|------|--------|------------|
| Logic/LCD Drive Voltage | VDD    | -0.3 | +3.6 | [Volt] |            |

### 4.2 Absolute Ratings of Environment

| Item                  | Symbol | Min | Max | Unit  |
|-----------------------|--------|-----|-----|-------|
| Operating Temperature | TOP    | -30 | +85 | [°C]  |
| Operation Humidity    | HOP    | 5   | 90  | [%RH] |
| Storage Temperature   | TST    | -30 | +85 | [°C]  |
| Storage Humidity      | HST    | 5   | 90  | [%RH] |

Note: Maximum Wet-Bulb should be 390C and no condensation.

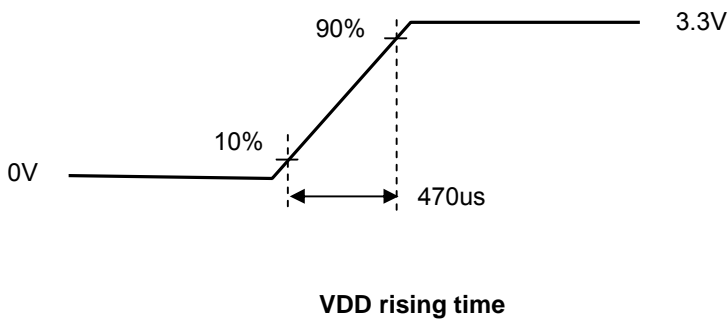
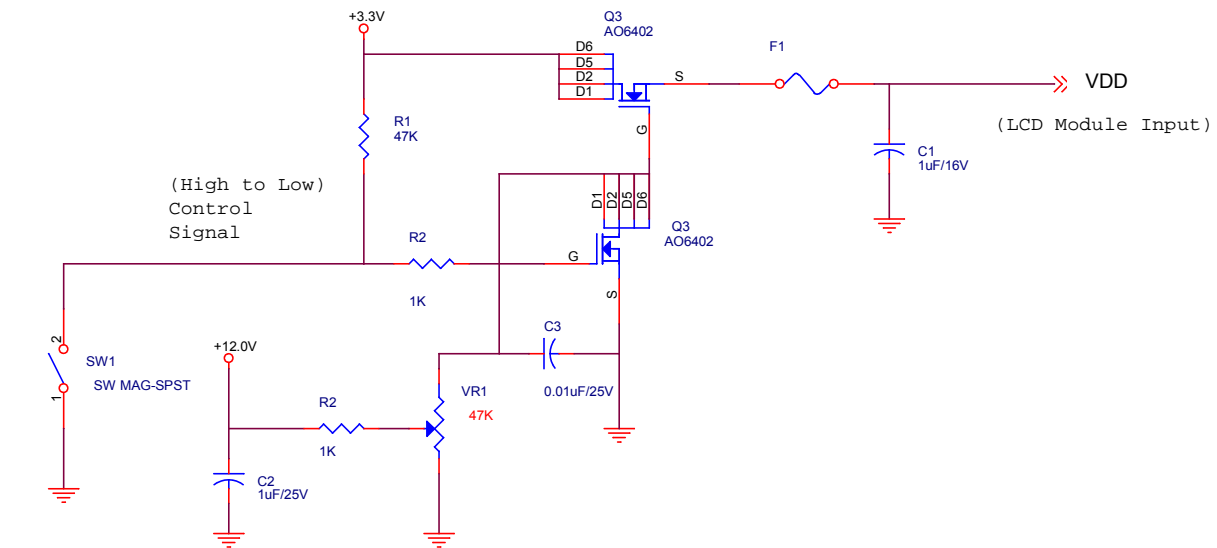
## 5. Electrical Characteristics

### 5.1 TFT LCD Module

#### 5.1.1 Power Specification

| Symbol           | Parameter               | Min | Typ | Max | Units  | Remark                                     |
|------------------|-------------------------|-----|-----|-----|--------|--|
| VDD              | Logic/LCD Drive Voltage | 3.0 | 3.3 | 3.6 | [Volt] | ±10%                                       |
| I <sub>VDD</sub> | VDD Current             | -   | 270 | 330 | [mA]   | 64 Gray Bar Pattern<br>(VDD=3.3V, at 60Hz) |
| P <sub>VDD</sub> | VDD Power               | -   | 0.9 | 1.2 | [Watt] | 64 Gray Bar Pattern<br>(VDD=3.3V, at 60Hz) |

Note 1: Measurement condition:



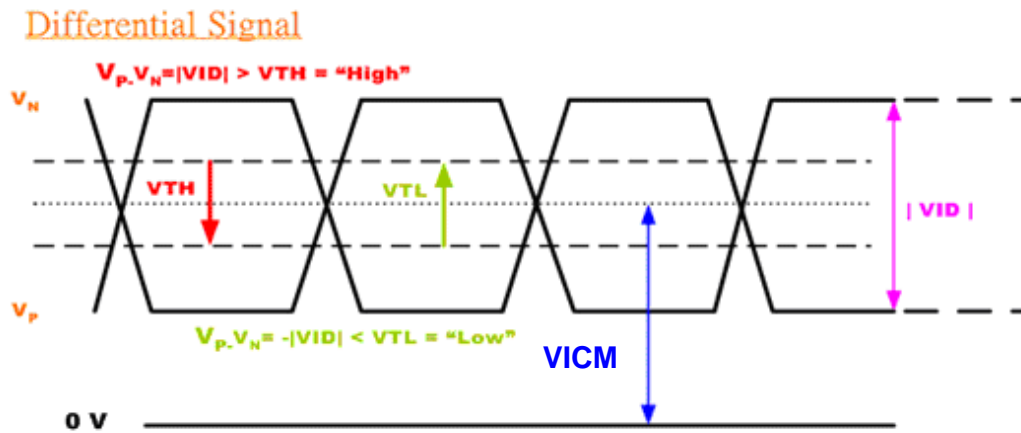
64 Gray pattern

### 5.1.2 Signal Electrical Characteristics

Input signals shall be low or Hi-Z state when VDD is off.

| Symbol | Item                                   | Min. | Typ. | Max. | Unit | Remark         |
|--------|--|------|------|------|------|----------------|
| VTH    | Differential Input High Threshold      | -    | -    | 100  | [mV] | VICM=1.2V      |
| VTL    | Differential Input Low Threshold       | -100 | -    | -    | [mV] | VICM=1.2V      |
| VID    | Input Differential Voltage             | 100  | 400  | 600  | [mV] |                |
| VICM   | Differential Input Common Mode Voltage | 1.1  |      | 1.6  | [V]  | VTH/VTL=±100mV |

Note: LVDS Signal Waveform.



## 5.2 Backlight Unit

### 5.2.1 Parameter guideline for LED backlight

Following characteristics are measured under a stable condition using an inverter at 250C (Room Temperature):

| Symbol             | Parameter             | Min.   | Typ. | Max. | Unit   | Remark  |
|--------------------|-----------------------|--------|------|------|--------|---|
| VCC                | Input Voltage         | 10.8   | 12   | 12.6 | [Volt] |   |
| I <sub>VCC</sub>   | Input Current         | -      | 0.17 | -    | [A]    | 100% PWM Duty                                     |
| P <sub>VCC</sub>   | Power Consumption     | -      | 2.04 | 2.14 | [Watt] | 100% PWM Duty                                     |
| F <sub>PWM</sub>   | Dimming Frequency     | 200    | -    | 20K  | [Hz]   |   |
|                    | Swing Voltage         | 3      | 3.3  | 5.5  | V      |   |
|                    | Dimming Duty Cycle    | 5      | -    | 100  | %      |   |
| I <sub>F</sub>     | LED Forward Current   | -      | 50   | 52.5 | mA     | Ta = 25°C   |
| V <sub>F</sub>     | LED Forward Voltage   | -      | 21   |      | Volt   | I <sub>F</sub> = 50mA, Ta = -30°C                 |
|                    |                       |        | 19.2 | 21.9 | Volt   | I <sub>F</sub> = 50mA, Ta = 25°C                  |
|                    |                       |        | 18.3 |      |        | I <sub>F</sub> = 50mA, Ta = 85°C                  |
| P <sub>LED</sub>   | LED Power Consumption | -      | 1.92 | -    | Watt   | I <sub>F</sub> = 50mA, Ta = 25°C<br>(total power) |
| Operation Lifetime |                       | 50,000 |      |      | Hrs    | I <sub>F</sub> = 50mA, Ta = 25°C                  |

Note 1: Ta means ambient temperature of TFT-LCD module.

Note 2: VCC, I<sub>VCC</sub>, P<sub>VCC</sub>, are defined for LED B/L.(100% duty of PWM dimming)

Note 3: I<sub>F</sub>, V<sub>F</sub> are defined for each channel of LED Light Bar. There are two LED channels (AN1-CA1-CA2) in back light unit.

Note 4: If G084SN05 V9 module is driven by high current or at high ambient temperature & humidity condition. The operating life will be reduced.

Note 5: Operating life means brightness goes down to 50% initial brightness. Minimum operating life time is estimated data.



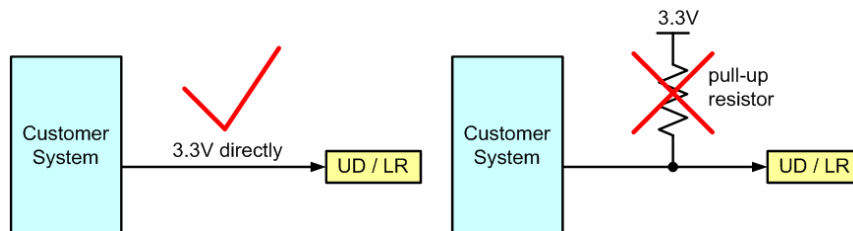
## 6.2 Signal Description

LVDS is a differential signal technology for LCD interface and high speed data transfer device. The connector pin definition is as below.

| Pin No. | Symbol   | Description   |
|---------|----------|---|
| 1       | VDD      | Power Supply, 3.3V (typical)  |
| 2       | VDD      | Power Supply, 3.3V (typical)  |
| 3       | UD       | Vertical Reverse Scan Control,<br>When UD=Low or NC → Normal Mode.<br>When UD=High → Vertical Reverse Scan. <small>Note 1,2</small>     |
| 4       | LR       | Horizontal Reverse Scan Control,<br>When LR=Low or NC → Normal Mode.<br>When LR=High → Horizontal Reverse Scan. <small>Note 1,2</small> |
| 5       | RxIN1-   | LVDS differential data input Pair 0   |
| 6       | RxIN1+   |   |
| 7       | GND      | Ground  |
| 8       | RxIN2-   | LVDS differential data input Pair 1   |
| 9       | RxIN2+   |   |
| 10      | GND      | Ground  |
| 11      | RxIN3-   | LVDS differential data input Pair 2   |
| 12      | RxIN3+   |   |
| 13      | GND      | Ground  |
| 14      | RxCLKIN- | LVDS differential Clock input Pair  |
| 15      | RxCLKIN+ |   |
| 16      | GND      | Ground  |
| 17      | SEL 68   | LVDS 6/8 bit select function control,<br>Low or NC → 6 Bit Input Mode.<br>High → 8 Bit Input Mode. <small>Note</small>                  |
| 18      | NC       | NC  |
| 19      | RxIN4-   | LVDS differential data input Pair 3. Must be set to <b>NC</b> in 6 bit input mode.  |
| 20      | RxIN4+   |   |

Note 1 : “Low” stands for 0V. “High” stands for 3.3V. “NC” stands for “No Connected.”

Note2 : For reverse scan mode, please connect to 3.3V directly. A pull-up resistor on the input side will cause abnormal reverse scan.





## 6.3 Scanning Direction

The following figures show the image seen from the front view. The arrow indicates the direction of scan.

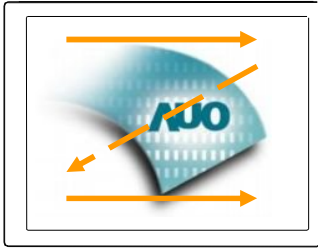


Fig. 1

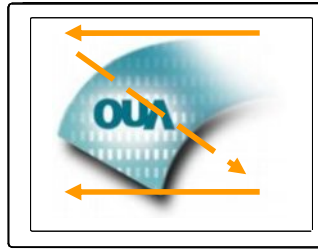


Fig. 2



Fig. 3

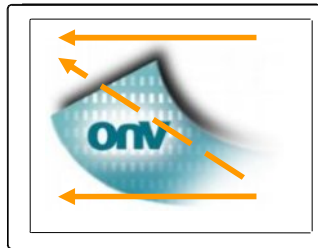


Fig. 4

Fig. 1 Normal scan (Pin3, UD = Low or NC ; Pin4, RL = Low or NC)

Fig. 2 Reverse scan (Pin3, UD = Low or NC ; Pin4, RL = High)

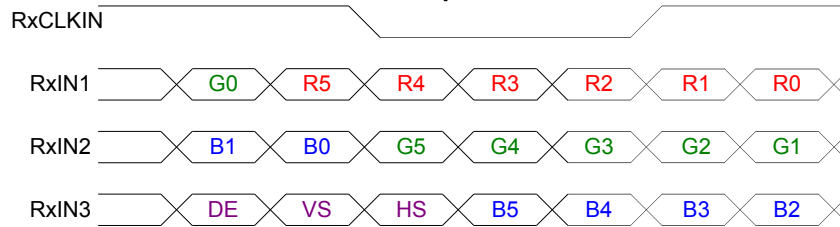
Fig. 3 Reverse scan (Pin3, UD = High ; Pin4, RL = Low or NC)

Fig. 4 Reverse scan (Pin3, UD = High ; Pin4, RL = High)

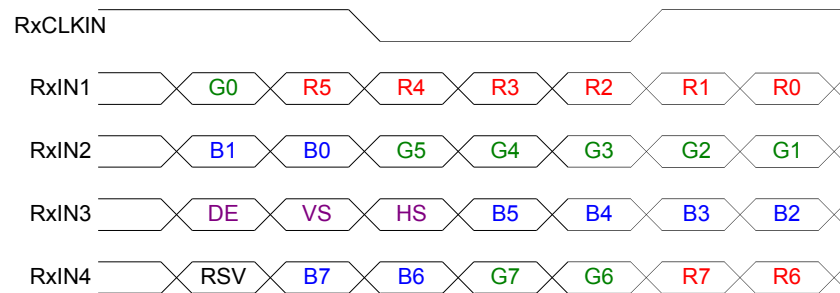
## 6.4 The Input Data Format

### 6.4.1 SEL68

**SEL68 = "Low" or "NC" for 6 bits LVDS Input**



**SEL68 = "High" for 8 bits LVDS Input**



**Note1:** Please follow PSWG.

**Note2:** R/G/B data 7:MSB, R/G/B data 0:LSB

| Signal Name | Description        | Remark  |
|-------------|--------------------|---|
| R7          | Red Data 7 (MSB)   | Red-pixel Data<br>Each red pixel's brightness data consists of these 8 bits pixel data.     |
| R6          | Red Data 6         |   |
| R5          | Red Data 5         |   |
| R4          | Red Data 4         |   |
| R3          | Red Data 3         |   |
| R2          | Red Data 2         |   |
| R1          | Red Data 1         |   |
| R0          | Red Data 0 (LSB)   |   |
| G7          | Green Data 7 (MSB) | Green-pixel Data<br>Each green pixel's brightness data consists of these 8 bits pixel data. |
| G6          | GreenData 6        |   |
| G5          | GreenData 5        |   |
| G4          | GreenData 4        |   |
| G3          | GreenData 3        |   |
| G2          | GreenData 2        |   |
| G1          | GreenData 1        |   |
| G0          | GreenData 0 (LSB)  |   |
| B7          | Blue Data 7 (MSB)  | Blue-pixel Data<br>Each blue pixel's brightness data consists of these 8 bits pixel data.   |
| B6          | Blue Data 6        |   |
| B5          | Blue Data 5        |   |
| B4          | Blue Data 4        |   |
| B3          | Blue Data 3        |   |
| B2          | Blue Data 2        |   |
| B1          | Blue Data 1        |   |
| B0          | Blue Data 0 (LSB)  |   |
| RxCLKIN+    | LVDS Clock Input   |   |
| RxCLKIN-    |                    |   |
| DE          | Display Enable     |   |
| VS          | Vertical Sync      |   |
| HS          | Horizontal Sync    |   |

Note: Output signals from any system shall be low or Hi-Z state when VDD is off.

## 6.5 Interface Timing

### 6.5.1 Timing Characteristics

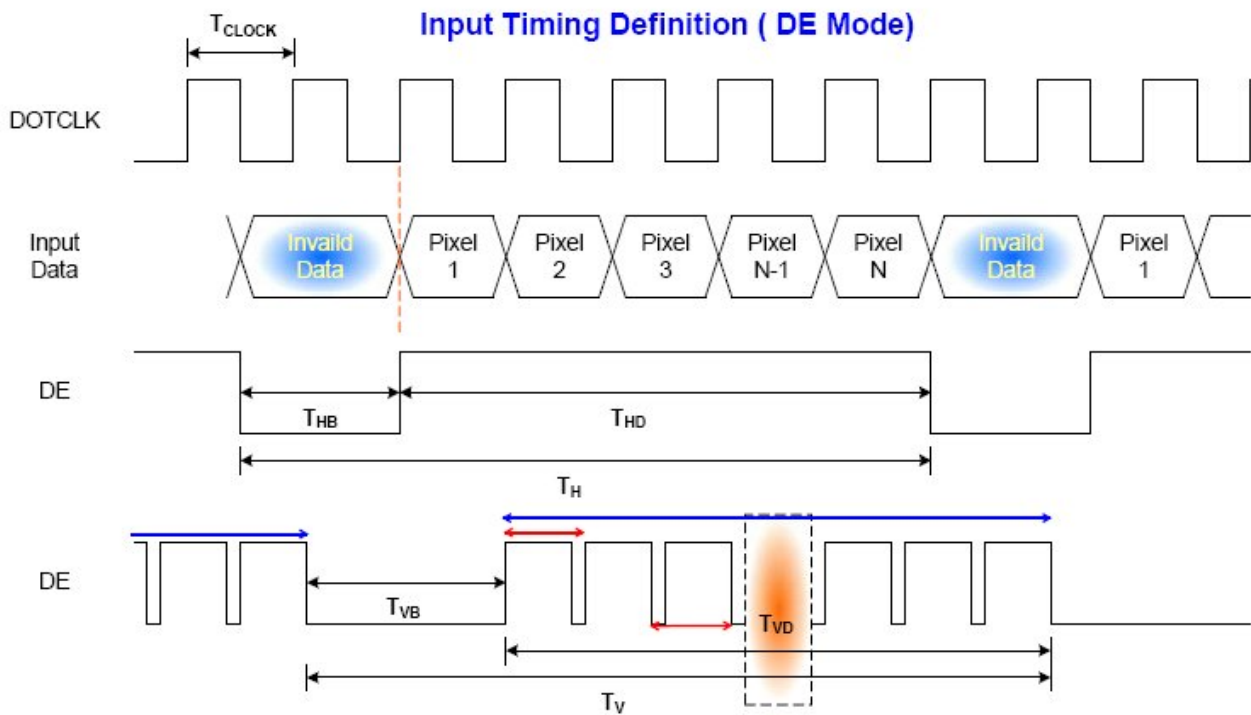
DE mode only

| Parameter          |          | Symbol               | Min. | Typ. | Max. | Unit               | Condition |
|--------------------|----------|----------------------|------|------|------|--------------------|-----------|
| Clock frequency    |          | $1/T_{\text{Clock}}$ | 33.6 | 39.8 | 48.3 | MHz                |           |
| Vertical Section   | Period   | $T_V$                | 608  | 628  | 650  | $T_H$              |           |
|                    | Active   | $T_{VD}$             | 600  | 600  | 600  |                    |           |
|                    | Blanking | $T_{VB}$             | 8    | 28   | 50   |                    |           |
| Horizontal Section | Period   | $T_H$                | 920  | 1056 | 1240 | $T_{\text{Clock}}$ |           |
|                    | Active   | $T_{HD}$             | 800  | 800  | 800  |                    |           |
|                    | Blanking | $T_{HB}$             | 120  | 256  | 440  |                    |           |

Note: Frame rate is 60 Hz.

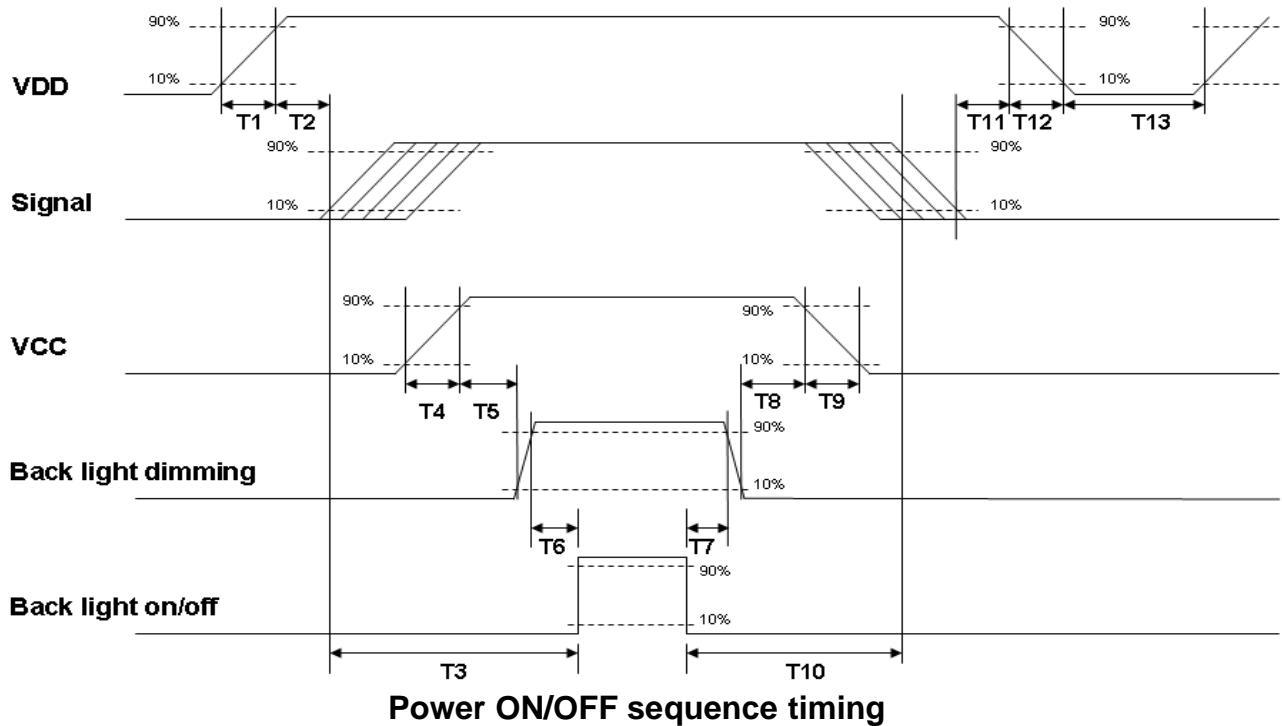
Note: DE mode.

### 6.5.2 Input Timing Diagram



## 6.6 Power ON/OFF Sequence

VDD power and BackLight on/off sequence is as below. Interface signals are also shown in the chart. Signals from any system shall be Hi-Z state or low level when VDD is off.



| Parameter | Value |      |      | Units |
|-----------|-------|------|------|-------|
|           | Min.  | Typ. | Max. |       |
| T1        | 0.5   | --   | 10   | [ms]  |
| T2        | 30    | 40   | 50   | [ms]  |
| T3        | 200   | --   | --   | [ms]  |
| T4        | 0.5   | --   | 10   | [ms]  |
| T5        | 10    | --   | --   | [ms]  |
| T6        | 10    | --   | --   | [ms]  |
| T7        | 0     | --   | --   | [ms]  |
| T8        | 10    | --   | --   | [ms]  |
| T9        | --    | --   | 10   | [ms]  |
| T10       | 110   | --   | --   | [ms]  |
| T11       | 0     | 16   | 50   | [ms]  |
| T12       | --    | --   | 10   | [ms]  |
| T13       | 1000  | --   | --   | [ms]  |

The above on/off sequence should be applied to avoid abnormal function in the display. Please make sure to turn off the power when you plug the cable into the input connector or pull the cable out of the connector.

## 7. Connector & Pin Assignment

Physical interface is described as for the connector on module. These connectors are capable of accommodating the following signals and will be following components.

### 7.1 TFT LCD Signal (CN1): LVDS Connector

| Connector Name / Designation | Signal Connector  |
|------------------------------|---|
| Manufacturer                 | STM, Hirose or compatible                               |
| Connector Model Number       | STM -MSB24013P20HA, Hirose- DF19LA-20P-1H or compatible |
| Mating Model Number          | STM-P24013P20, Hirose-DF19-20S-1C or compatible         |

| Pin No. | Signal Name | Pin No. | Signal Name |
|---------|-------------|---------|-------------|
| 1       | VDD         | 2       | VDD         |
| 3       | UD          | 4       | LR          |
| 5       | RxIN1-      | 6       | RxIN1+      |
| 7       | GND         | 8       | RxIN2-      |
| 9       | RxIN2+      | 10      | GND         |
| 11      | RxIN3-      | 12      | RxIN3+      |
| 13      | GND         | 14      | RxCKIN-     |
| 15      | RxCKIN+     | 16      | GND         |
| 17      | SEL 68      | 18      | NC          |
| 19      | RxIN4-      | 20      | RxIN4+      |

### 7.2 LED Backlight Unit (CN2): LED Driver Connector

| Connector Name / Designation | LED Connector                        |
|------------------------------|--------------------------------------|
| Manufacturer                 | ENTERY                               |
| Connector Model Number       | ENTERY 3808K-F04N-02R or compatible  |
| Mating Model Number          | ENTERY H208K-P04N-02B or compatible. |

| Pin # | Symbol         | Pin Description            |
|-------|----------------|----------------------------|
| 1     | VCC            | 12V input                  |
| 2     | GND            | GND                        |
| 3     | Display_ON/OFF | +5.0V or +3.3 V:ON, 0V:OFF |
| 4     | Dimming        | PWM                        |

### 7.3 LED Light Bar Input Connector (CN3):

|                                      |                                     |
|--------------------------------------|-------------------------------------|
| <b>Manufacturer</b>                  | ENTERY                              |
| <b>Connector Model Number</b>        | ENTERY 3800K-F03N-03 or compatible  |
| <b>Mating Connector Model Number</b> | ENTERY H203K-D03N-04B or compatible |

| Pin # | Symbol | Pin Description |
|-------|--------|-----------------|
| 1     | AN1    | LED anode       |
| 2     | CA1    | LED cathode     |
| 3     | CA2    | LED cathode     |

| Pin # | Symbol | Cable color |
|-------|--------|-------------|
| 1     | AN1    | Red         |
| 2     | CA1    | Black       |
| 3     | CA2    | Black       |

### 8. Reliability Test Criteria

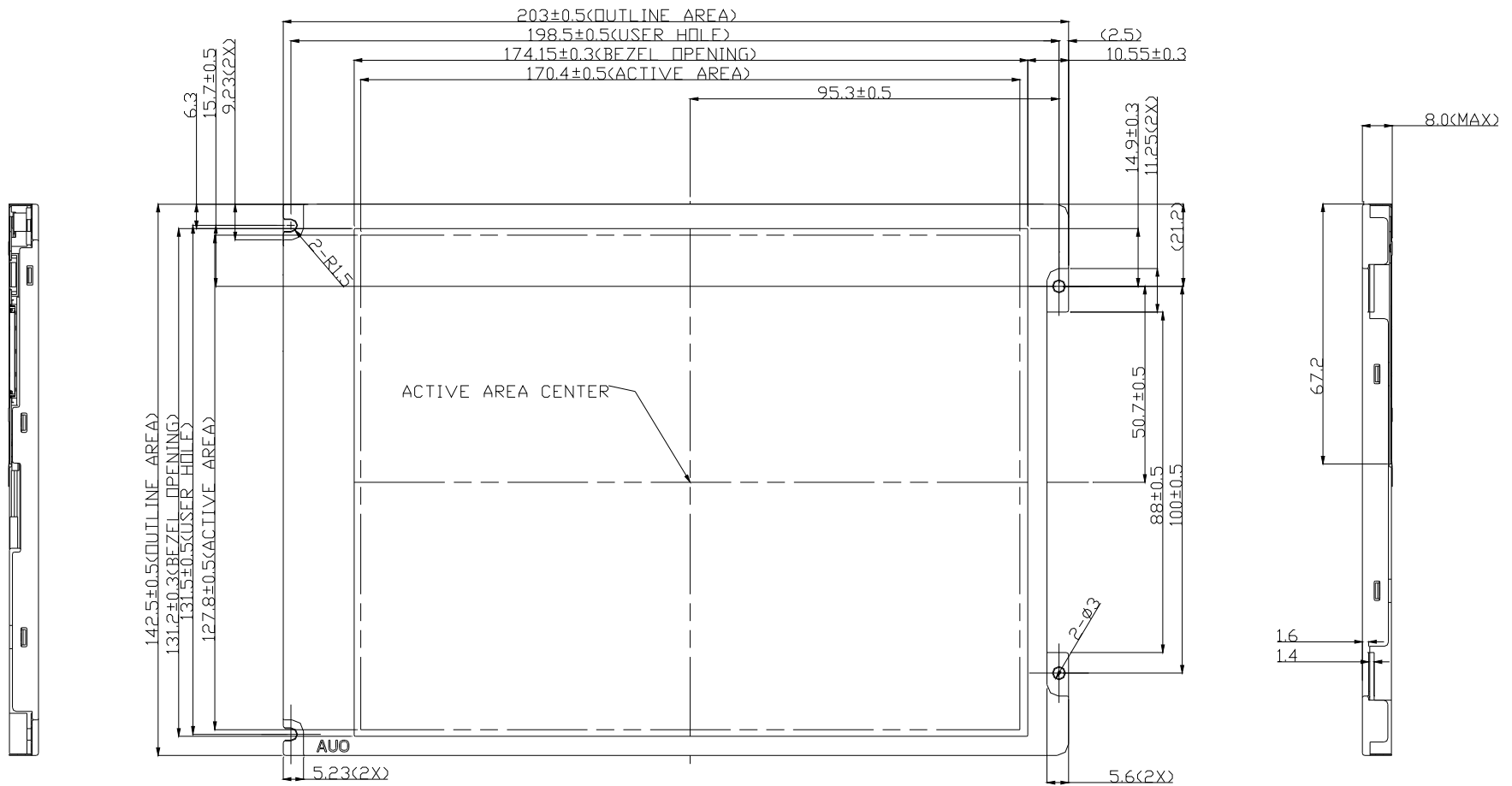
| Items                          | Required Condition  | Note   |
|--------------------------------|---|--------|
| Temperature Humidity Bias      | 40 <sup>0</sup> C/90%,300 hours   |        |
| High Temperature Operation     | 85 <sup>0</sup> C,300 hours   |        |
| Low Temperature Operation      | -30 <sup>0</sup> C,300 hours  |        |
| Hot Storage                    | 85 <sup>0</sup> C,300 hours   |        |
| Cold Storage                   | -30 <sup>0</sup> C,300 hours  |        |
| Thermal Shock Test             | -20 <sup>0</sup> C/30 min ,600C/30 min ,100cycles   |        |
| Shock Test (Non-Operating)     | 50G,20ms,Half-sine wave,( ±X, ±Y, ±Z)   |        |
| Vibration Test (Non-Operating) | 1.5G, (10~200Hz, P-P)<br>30 mins/axis (X, Y, Z)   |        |
| On/off test                    | On/10 sec, Off/10 sec, 30,000 cycles  |        |
| ESD                            | Contact Discharge: ± 8KV, 150pF(330Ω ) 1sec, 8 points, 25 times/ point<br>Air Discharge: ± 15KV, 150pF(330Ω ) 1sec, 8 points, 25 times/ point | Note 1 |

Note1: According to EN61000-4-2, ESD class B: Some performance degradation allowed. No data lost

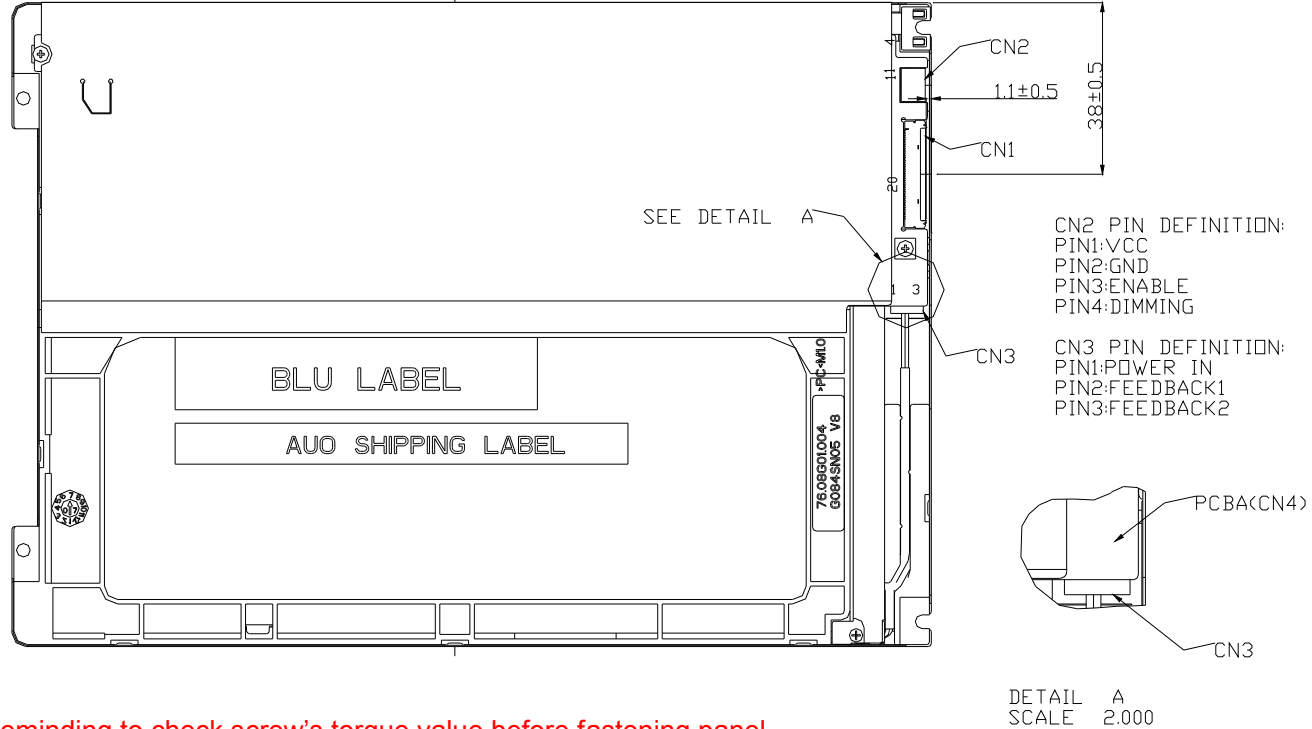
. Self-recoverable. No hardware failures.

## 9. Mechanical Characteristics

### 9.1 LCM Front View



NOTE:  
 1.CONNECTOR:  
   CN1:STM MSB24013P20HA  
     MATING CONNECTOR:  
     STM P24013P20  
   CN2:ENTERY 3808K-F04N-02R  
     MATING CONNECTOR:  
     ENTERY H208K-P04N-02B  
   CN3:JAE FI-S3S  
     MATING CONNECTOR:  
     JAE FI-S3P-HFE  
 2.GENERAL TOLERANCE: LEVEL 3



Reminding to check screw's torque value before fastening panel.

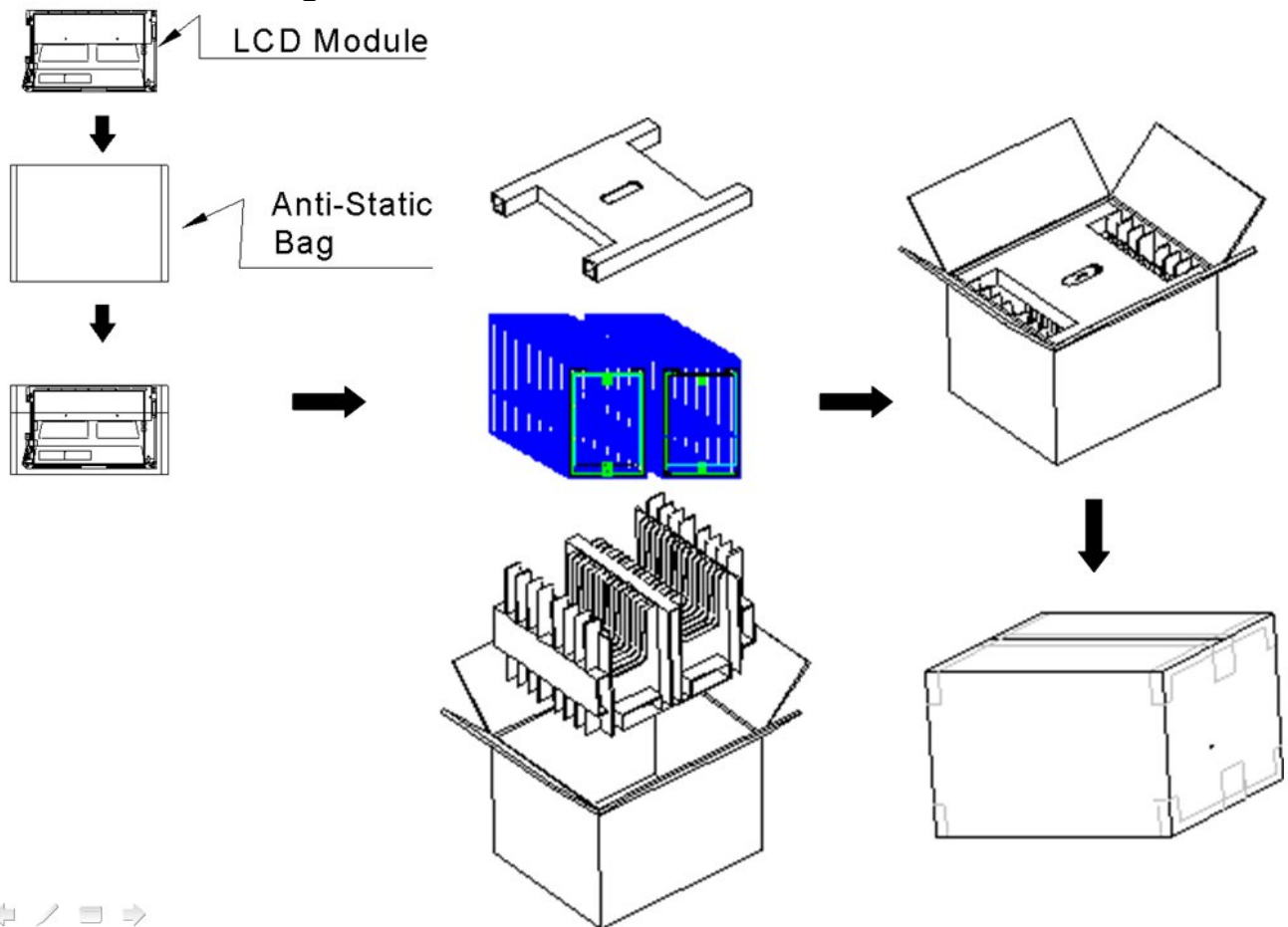


## 10. Label and Packaging

### 10.1 Shipping Label (on the rear side of TFT-LCD display)



### 10.2 Carton Package



Note:

1. Max. Capacity: 30pcs LCD Modules / per carton
2. Max. Weight: 12 kg / per carton
3. The outside dimension of carton is 405(L) mm x 328(W) mm x 301(H) mm

## 11 Safety

### 11.1 Sharp Edge Requirements

There will be no sharp edges or corners on the display assembly that could cause injury.

### 11.2 Materials

#### 11.2.1 Toxicity

There will be no carcinogenic materials used anywhere in the display module. If toxic materials are used, they will be reviewed and approved by the responsible AUO toxicologist.

#### 11.2.2 Flammability

All components including electrical components that do not meet the flammability grade UL94-V1 in the module will complete the flammability rating exception approval process.

The pRxINted circuit board will be made from material rated 94-V1 or better. The actual UL flammability rating will be pRxINted on the pRxINted circuit board.

### 11.3 Capacitors

If any polarized capacitors are used in the display assembly, provisions will be made to keep them from being inserted backwards.

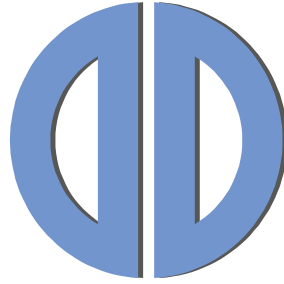
### 11.4 National Test Lab Requirement

The display module will satisfy all requirements for compliance to:

**UL 1950, First Edition**

U.S.A. Information Technology Equipment

Our company network supports you worldwide with offices in Germany, Great Britain, Italy, Turkey and the USA. For more information please contact:



---

## DATA DISPLAY GROUP

**Distec GmbH**

Augsburger Str. 2b  
82110 Germering  
Germany

Phone: +49 (0)89 / 89 43 63-0  
Fax: +49 (0)89 / 89 43 63-131  
E-Mail: [info@datadisplay-group.de](mailto:info@datadisplay-group.de)  
Internet: [www.datadisplay-group.de](http://www.datadisplay-group.de)

**Display Technology Ltd.**

5 The Oaks Business Village  
Revenge Road, Lordswood  
Chatham, Kent, ME5 8LF  
United Kingdom

Phone: +44 (0)1634 / 67 27 55  
Fax: +44 (0)1634 / 67 27 54  
E-Mail: [info@datadisplay-group.co.uk](mailto:info@datadisplay-group.co.uk)  
Internet: [www.datadisplay-group.co.uk](http://www.datadisplay-group.co.uk)

**Apollo Display Technologies, Corp.**

87 Raynor Avenue, Unit 1 Ronkonkoma, NY  
11779  
United States of America

Phone: +1 631 / 580-43 60  
Fax: +1 631 / 580-43 70  
E-Mail: [info@datadisplay-group.com](mailto:info@datadisplay-group.com)  
Internet: [www.datadisplay-group.com](http://www.datadisplay-group.com)

**Sales Partner:****REM Italy s.a.s.**

di Michieletto Flavio & C.  
Via Obbia Bassa, 10  
I-35010 Trebaseleghe (PD)  
Italy  
Phone: +39 335 521 37 89  
E-Mail: [info@remitaly.com](mailto:info@remitaly.com)  
Internet: [www.remitaly.com](http://www.remitaly.com)

**Sales Partner:****DATA DISPLAY BİLİŞİM TEKNOLOJİLERİ  
İÇ VE DIŞ TİCARET LİMİTED ŞİRKETİ**

Barbaros Mh Ak Zamabak Sk A Blok  
D:143 Ataşehir/İstanbul  
Turkey  
Phone: +90 (0)216 / 688 04 68  
Fax: +90 (0)216 / 688 04 69  
E-Mail: [info@data-display.com.tr](mailto:info@data-display.com.tr)  
Internet: [www.data-display.com.tr](http://www.data-display.com.tr)