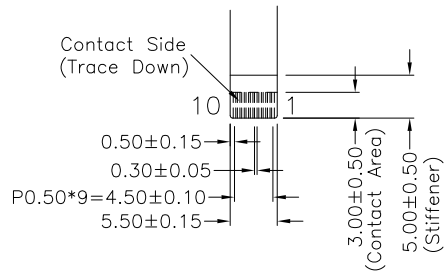
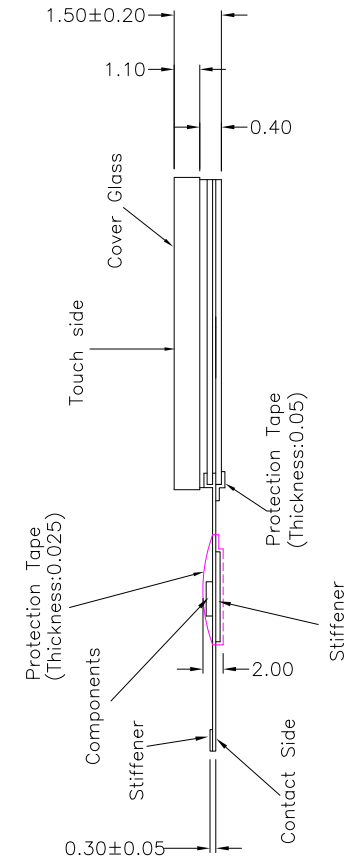
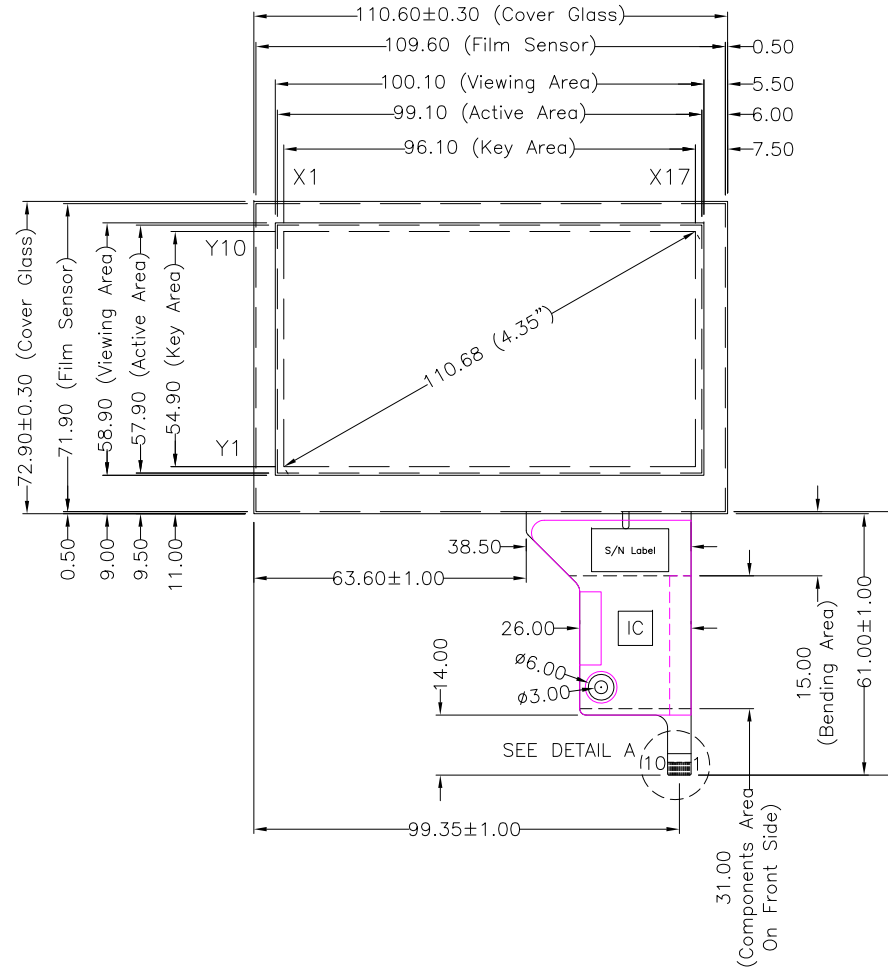
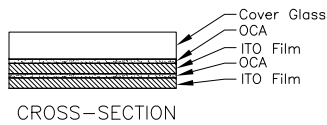


# Touch Side View

Pin#	Assignment
1	VCC
2	D-
3	D+
4	GND
5	SCL/RXD
6	SDA/TXD
7	nReset
8	nDetect
9	nINT
10	N/A



DETAIL A



- NOTES:
1. INPUT MODE : PROJECTED CAPACITIVE
  2. OVERALL THICKNESS : 1.50±0.20mm
  3. COVER GLASS THICKNESS : 1.10mm
  4. FRONT SURFACE : CLEAR
  5. TAIL TYPE : GOLD PLATED FPC, ZIF
  6. COF CONTROLLER : PM2103
  7. OTHER SPEC : SEE APPROVAL SHEET
  8. PLEASE REFER TO AMT TOUCH SCREEN INTEGRATION GUIDES FOR SYSTEM MECHANICAL DESIGN AND ASSEMBLY METHODS

C2B	2016.05.17	CHANGE IC AND MODIFY TAIL LENGTH	Grace
C2A	2013.10.21	CHANGE IC AND MODIFY TAIL LENGTH	Jerry
NO.	DATE	DESCRIPTION	CHK
REVISION			
CHIEF OF DESIGN		APPROVED	Arthur
DRAWN BY	Bruce	DATE	2019.11.05
SHEET 1 OF 1			



Apex Material Technology Corp.		
TOLERANCES UNLESS SPECIFIED		DWG NO :
.X	± 0.50	AD-92-P3015-C2B-011
.XX	± 0.50	
.XXX	± 0.30	
ANGULAR	.	SCALE: N/S UNIT: mm