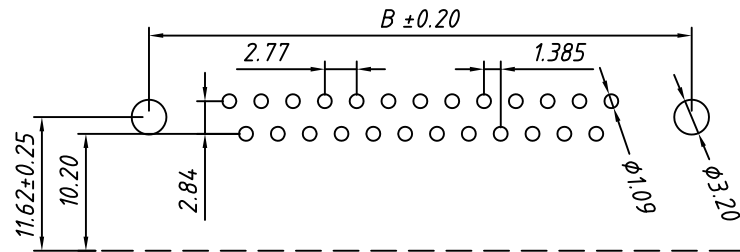
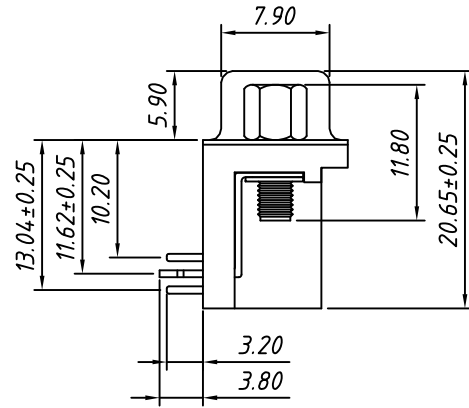
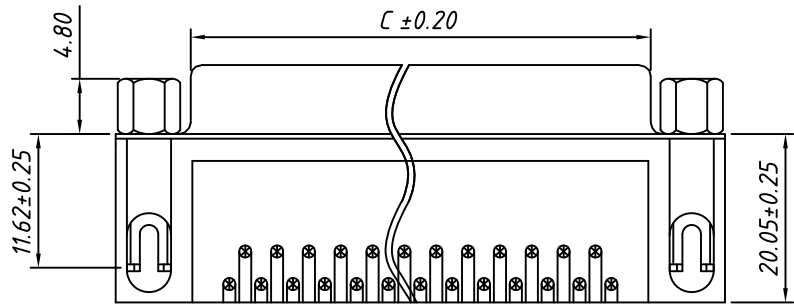
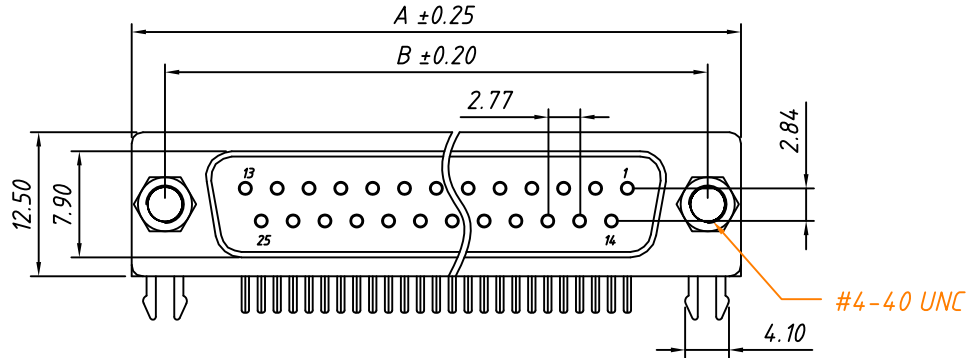


1 RoHS Compliant



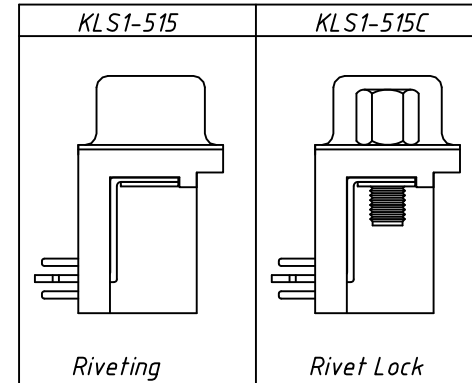
RECOMMENDED PCB LAYOUT
TOLERANCE: ±0.05mm

Material:
Housing: PBT+30% Glass filled, UL94V-0
Contacts: Brass, Gold Plating.
Shell: Steel, Nickel Plating

Electrical Characteristics:
Current Rating: 5 AMP
Insulator Resistance: 1000MΩ Min. at DC 500V
Withstanding Voltage: 500V AC (rms) for 1 minute
Contact Resistance: 20mΩ Max. Initial
Operating Temperature: -55°C ~ +105°C

Order Information

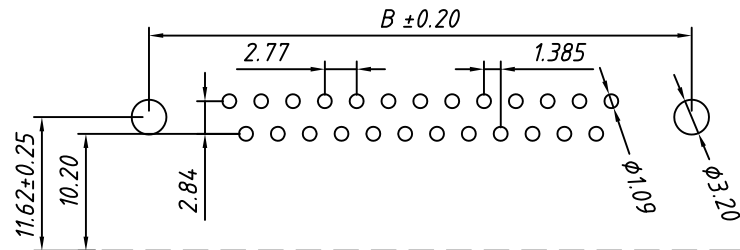
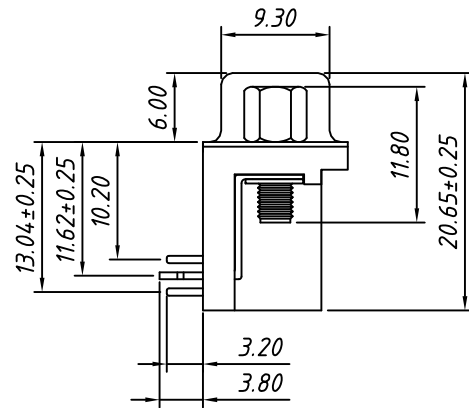
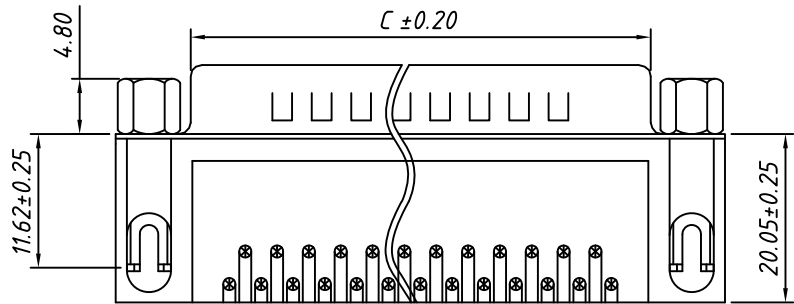
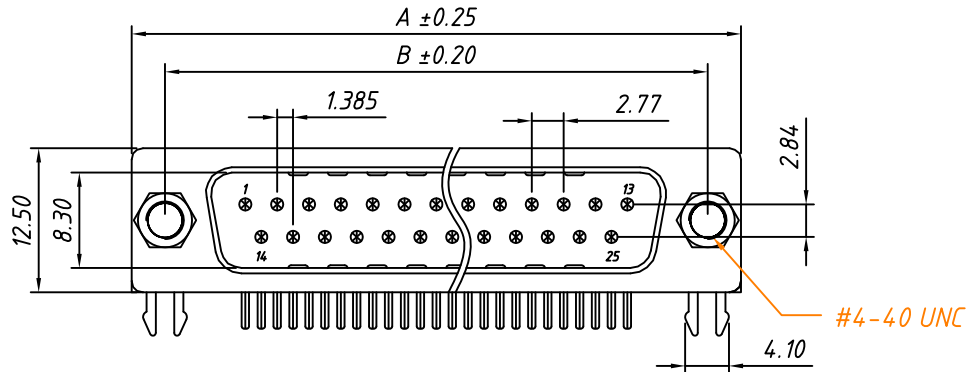
L - KLS1 - 515C - XX - F - B
RoHS
Type: 515 Or 515C
XX - No. of 09, 15, 25, 37 pins
Connector type: F-Female
Housing Color: B-Black



Number of Contacts	DIMENSION		
	A±0.25	B±0.20	C±0.20
09	30.80	24.99	16.30
15	39.20	33.30	24.60
25	53.10	47.04	38.30
37	69.34	63.50	54.80

GENERAL TOLERANCE	PROJECTION		Description:
X. ±0.30	UNITS	mm	D-SUB Connector, R/A, Through Hole, 9.4mm, Female
.X ±0.25	SCALE	1:1	
.XX ±0.20	Draw by:	Daniel	KLS P/N: L-KLS1-515C-XX-F-B
ANGLE TOLERANCE	Check by:	Daniel	NingBo KLS ELECTRONIC CO., L TD.
X. ±3°	Date	2018-03-01	
.X ±2°	SHEET	1 OF 1	
.XX ±1°			

1 RoHS Compliant

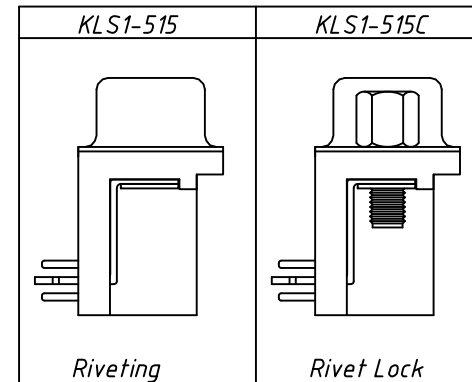
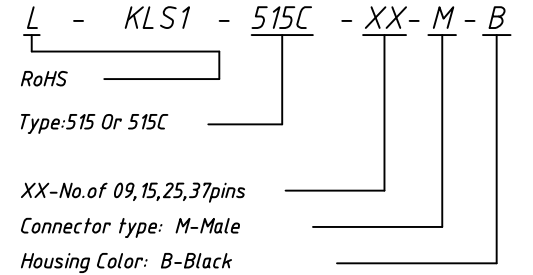


RECOMMENDED PCB LAYOUT
TOLERANCE: ±0.05mm

Material:
Housing: PBT+30% Glass filled, UL94V-0
Contacts: Brass, Gold Plating
Shell: Steel, Nickel Plating

Electrical Characteristics:
Current Rating: 5 AMP
Insulator Resistance: 1000MΩ Min. at DC 500V
Withstanding Voltage: 500V AC (rms) for 1 minute
Contact Resistance: 20mΩ Max. Initial
Operating Temperature: -55°C ~ +105°C

Order Information



Number of Contacts	DIMENSION		
	A±0.25	B±0.20	C±0.20
09	30.80	24.99	16.90
15	39.20	33.30	25.25
25	53.10	47.04	38.96
37	69.34	63.50	55.42

GENERAL TOLERANCE	PROJECTION		Description:
X. ±0.30	UNITS	mm	D-SUB Connector, R/A, Through Hole, 9.4mm, Male
.X ±0.25	SCALE	1:1	
.XX ±0.20	Draw by:	Daniel	KLS P/N: L-KLS1-515C-XX-M-B
ANGLE TOLERANCE	Check by:	Daniel	NingBo KLS ELECTRONIC CO., L TD.
X. ±3°	Date	2018-03-01	
.X ±2°	SHEET	1 OF 1	