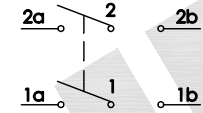
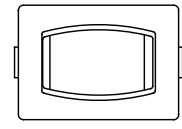


RoHS compliant

*開關產品未經SWITRONIC同意，請勿拆解，否則無法負品質及安全責任。
Please do not decompose the switch without any permission from SWITRONIC, otherwise the quality and safety responsibility could not be guaranteed.

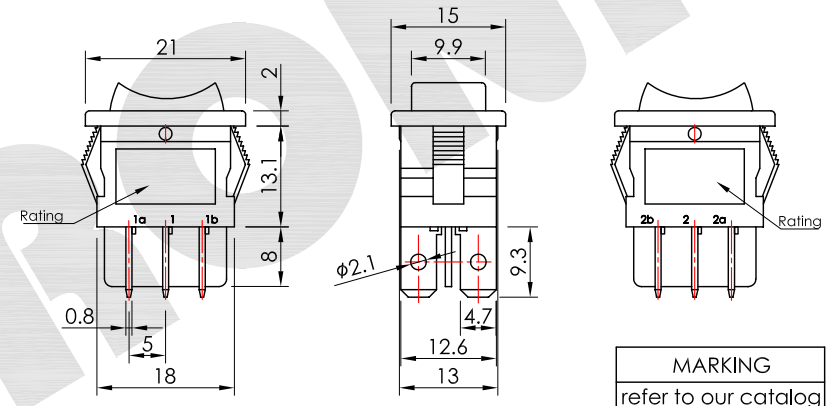
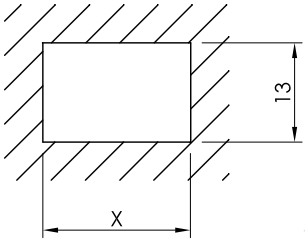
*本圖面若與目錄之規格尺寸不符，以本圖面規格尺寸為主。
Below is our main specification if different from catalog.

SCHEMATIC



MOUNTING HOLE

Panel thickness	X
0.75 - 1.25	19.2
1.25 - 2.0	19.4
2.0 - 3.0	19.6



MARKING
refer to our catalog

JS-606QXXXXT-G

Function	HOUSING COLOR	ROCKER COLOR	RoHS compliant
B2 ON-ON	B Black	B Black	
C2 ON-OFF-ON	W White	R Red	
H2 ON-OFF-(ON)	G Gray	W White	
		G Gray	

SPECIFICATION

Rating: 10A 125V AC T105.(UL C-UL)
6(2)A 250V AC T125 / 55 1E4.(ENEC SEMKO)
Circuit: DPDT.
Function: ON-ON.
Contact resistance: 30mΩ Max.(initial)
Insulation resistance: 100MΩ Min. at 500V DC.
Withstand voltage: 1,500V AC for 1 minute.
Operating temperature: -20 ~ +80°C.
Operating force: 400 ~ 900g.
Electrical life: 10,000 Cycles.
Note1: Unwashable, don't be immersed by epoxy and organic solvent.
Note2: Please check the actual size, do not scale the drawing page.

MATERIAL

Housing: Nylon #66 UL-94V-2.
Rocker: Nylon #66 UL-94V-2.
Terminal: Copper alloy, Ag plated.
Contact: AgSnO₂In₂O₃(10) / Cu.

V2.0	無	新繪製	2015.08.28
版本 VER.	符號 SYMBOL	修改內容 ALTERATION	更新日期 DATE

產品 PRODUCT	Rocker Switch		型號 MODEL NO.	JS-606QB2BBOT-G
製圖 DRAWN BY	核圖 CHECKED BY	主管 APPROVED BY	單位 UNIT	mm
Peter Kuo	Chuck Young	Margaret Lee	比例 SCALE	1 : 1
			公差 TOLERANCE	.X=±0.3mm .XX=±0.2mm

SWITRONIC
INDUSTRIAL CORP.
Switches



一綺電子企業股份有限公司
總公司：110 台北市信義路四段415號13樓之3
13F-3 NO. 415, SEC. 4, HSIN YI ROAD, TAIPEI, TAIWAN
TEL : 886-2-27290229 (Rep.) FAX : 886-2-27582086
URL : http://www.switronic.com.tw
E-MAIL : switches@ms36.hinet.net