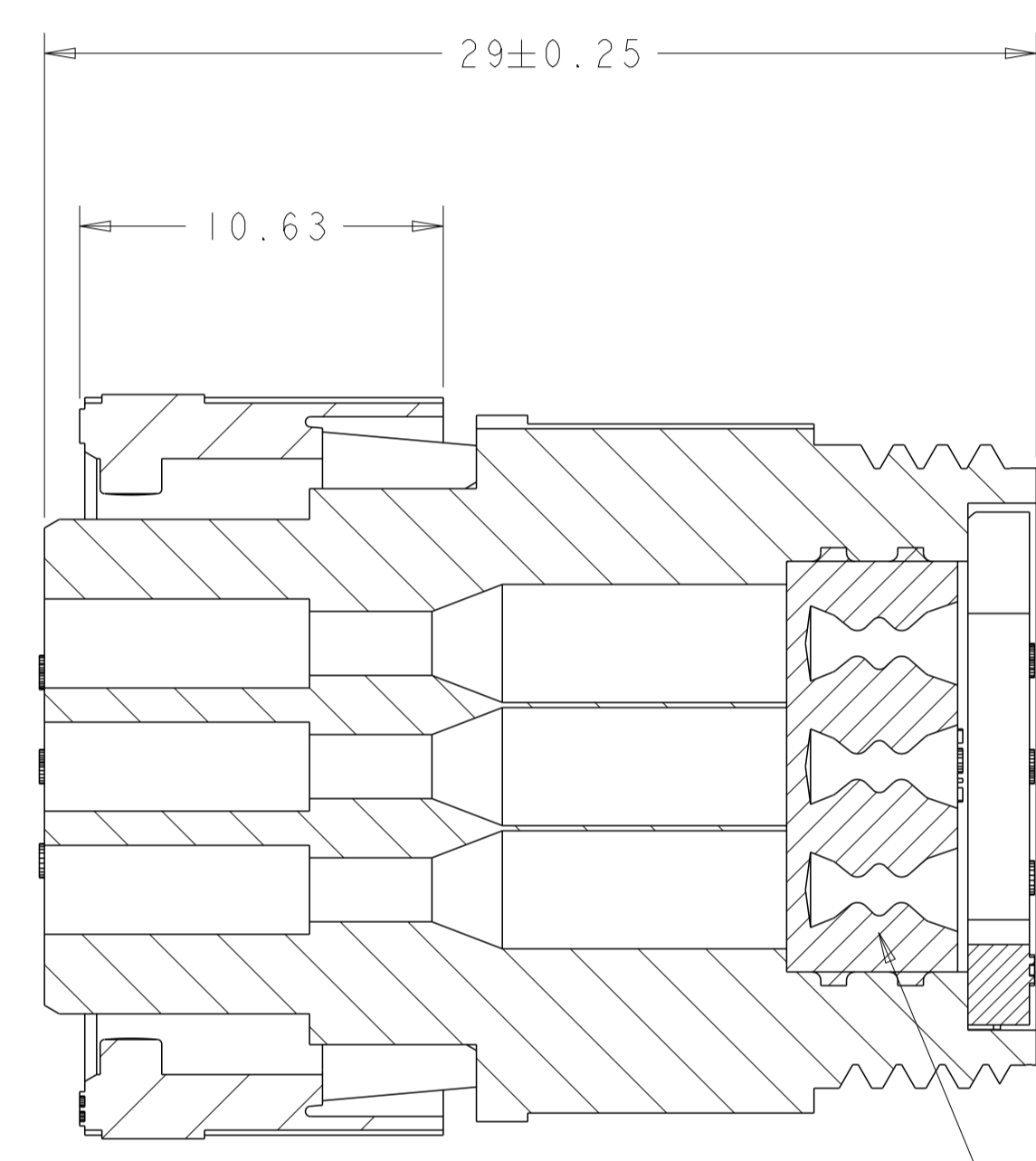
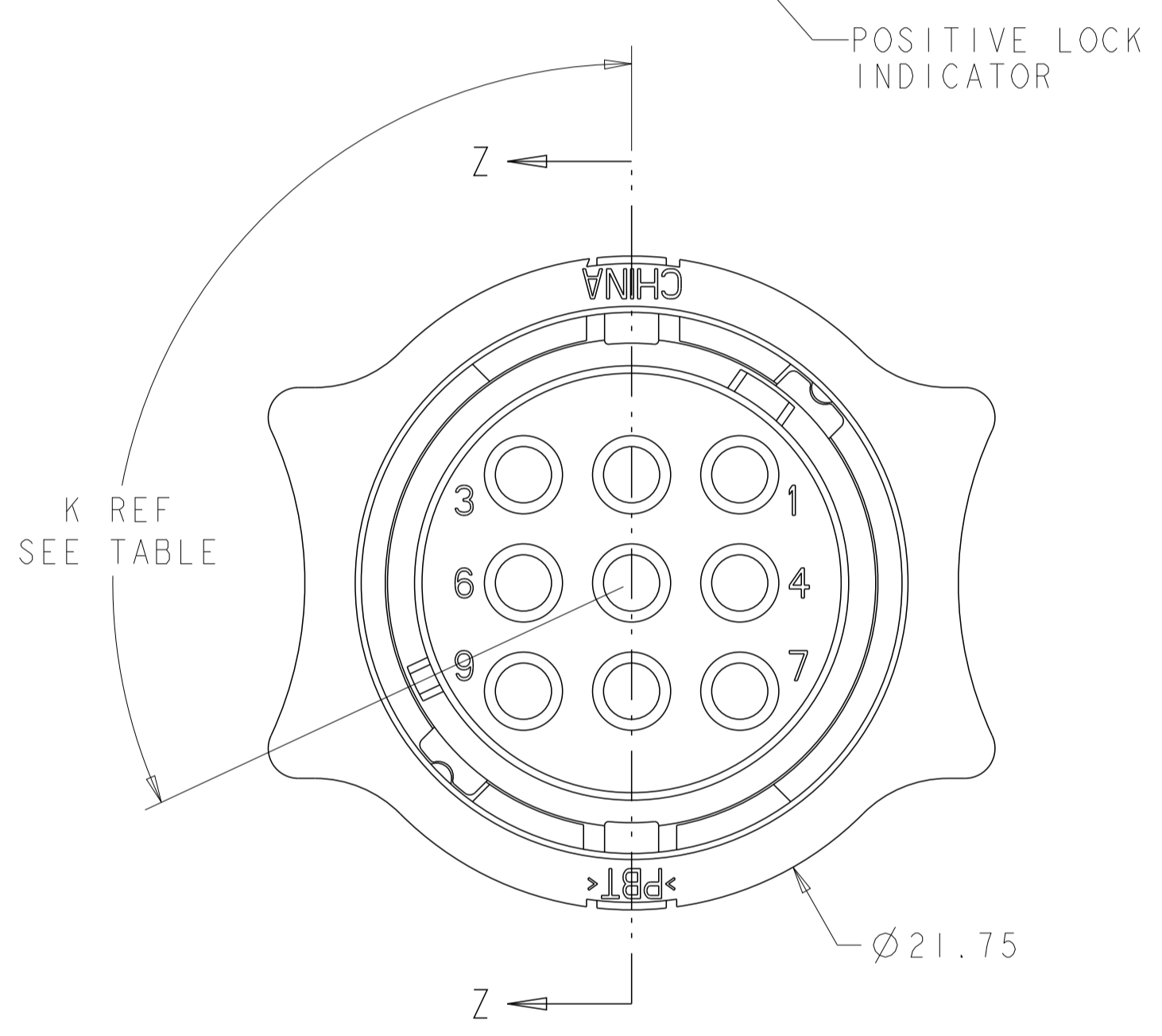
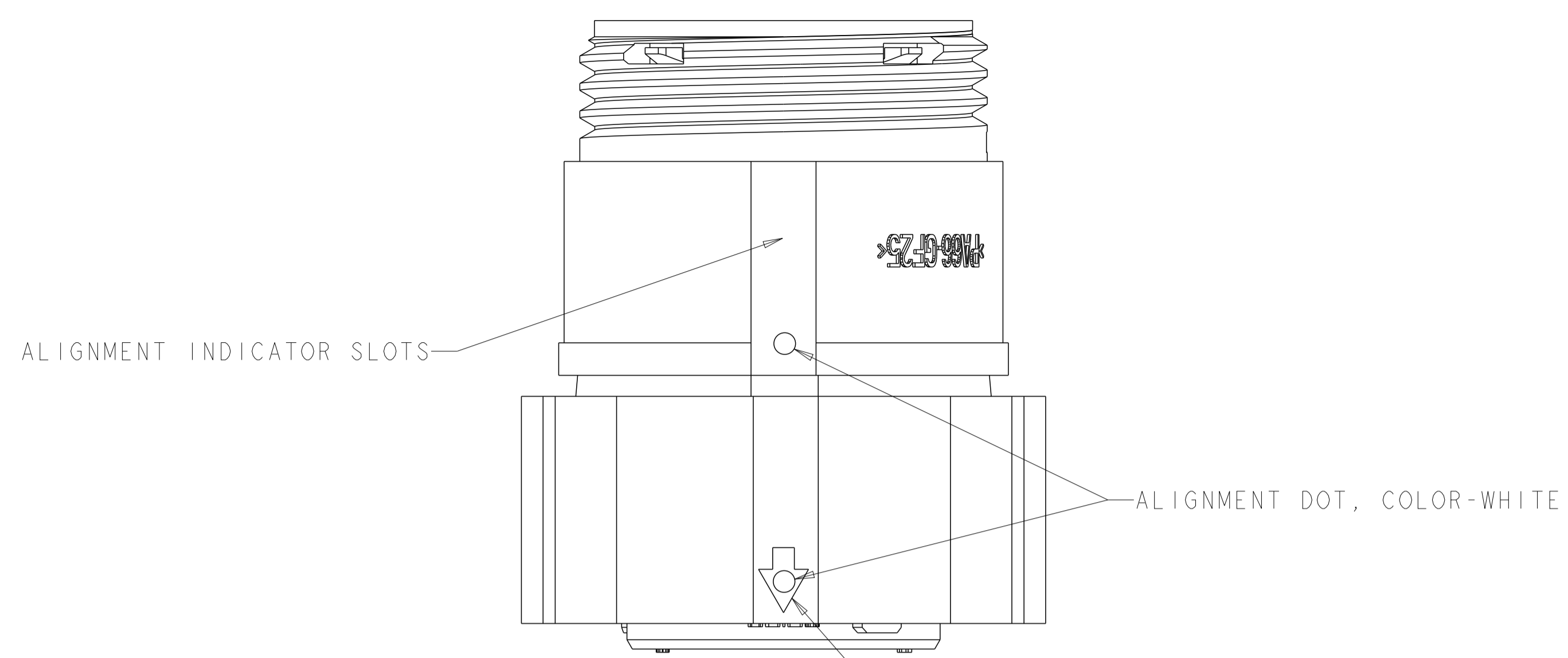
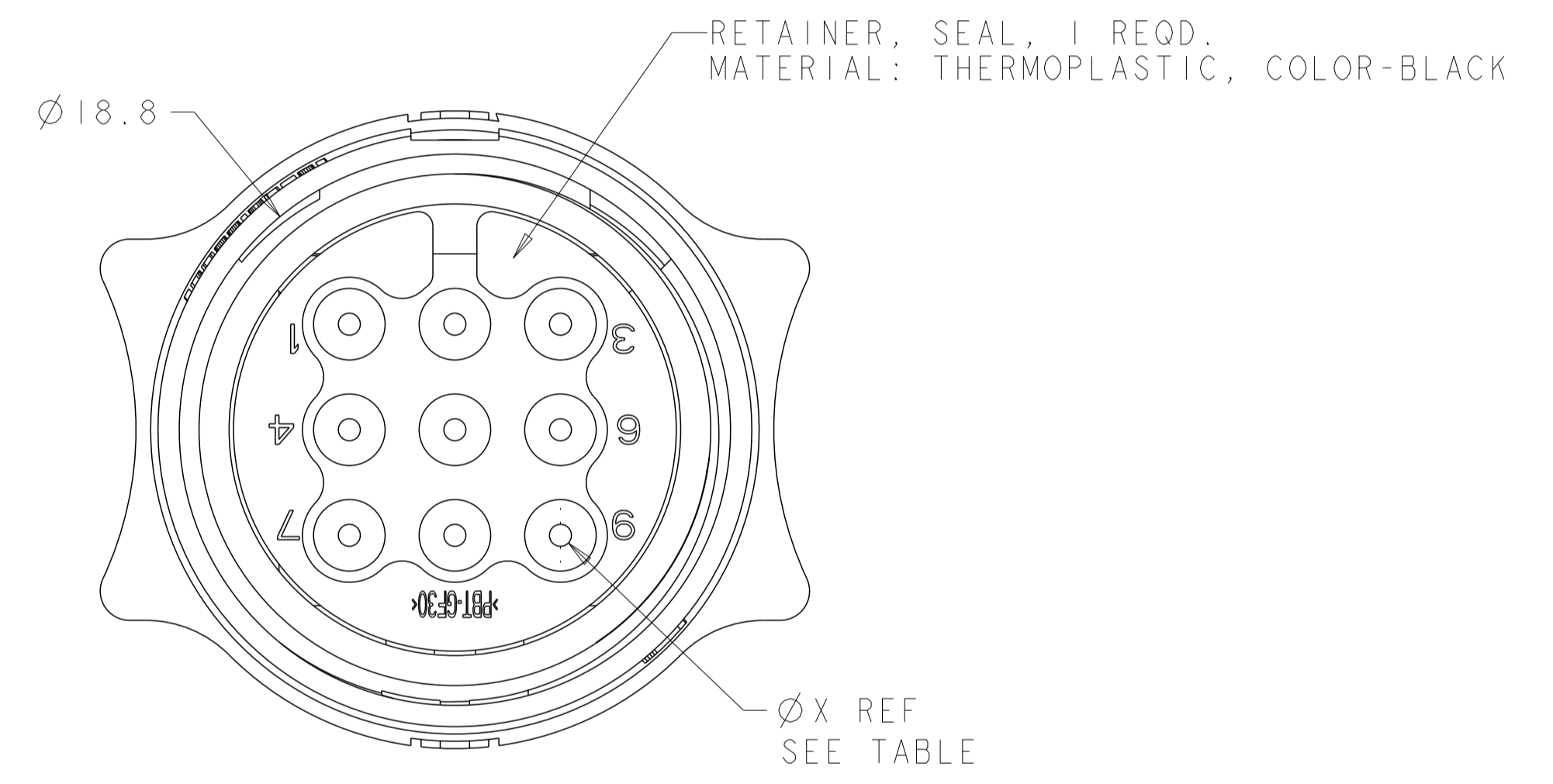


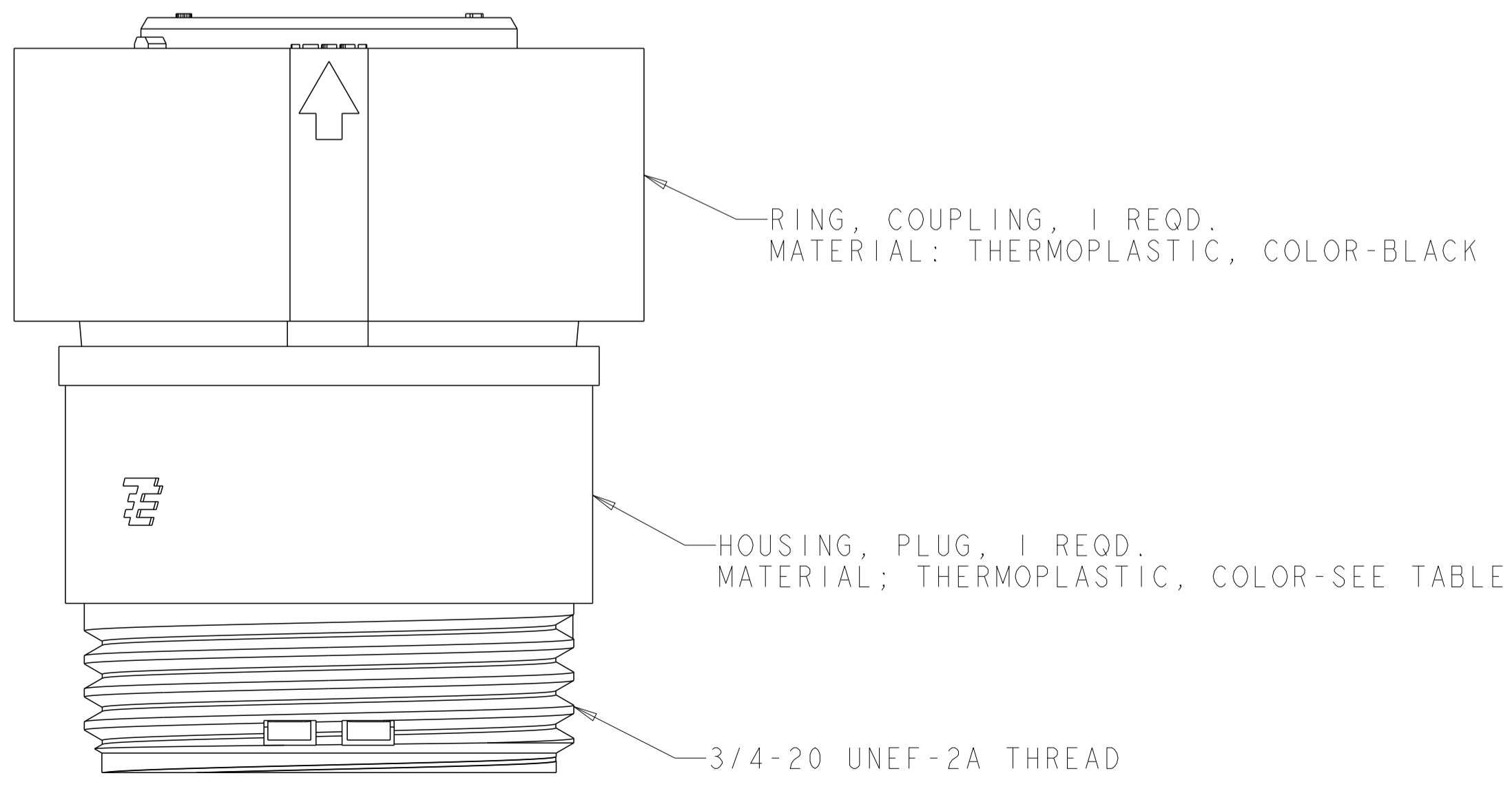
LOC		DIST		REVISIONS			
FT	0	P	LTN	DESCRIPTION	DATE	DWN	APVD
		D4		REVISED PER ECO-15-010004	13JUL2015	NK	MZ



SECTION Z-Z



SEAL, WIRE ENTRY, 1 REQD.
MATERIAL: ELASTOMER, COLOR-SEE TABLE



OBSOLETE	Ø 1.5	135°	B	NATURAL	BROWN	1445807-7
OBSOLETE	Ø 0.75	135°	B	YELLOW	RED	1445807-4
OBSOLETE	Ø 1.5	115°	A	NATURAL	BLACK	1445807-3
OBSOLETE	Ø 1.5	135°	B	NATURAL	RED	1445807-2
	Ø 0.75	115°	A	YELLOW	BLACK	1445807-1
Ø X REF	K REF	KEYING CODE	WIRE ENTRY SEAL COLOR	HOUSING COLOR	PART NUMBER	

THIS DRAWING IS A CONTROLLED DOCUMENT.

APVD: SHANE WIESE, 15OCT2001
 CHK: G DOUTY, 15OCT2001
 APVD: H. WAKEEM, 13JUN2003

NAME: ASSEMBLY, PLUG, SIZE 11, 9 POSITION, SEALED, MINI CPC

SIZE: A1 CAGE CODE: 100779 DRAWING NO: 1445807

SCALE: 5:1 SHEET 1 OF 1 REV: D4

TE Connectivity

Mouser Electronics

Authorized Distributor

Click to View Pricing, Inventory, Delivery & Lifecycle Information:

[TE Connectivity:](#)

[1445807-3](#)