

Industrial & Electrical Components

Solid State Relay

Part No.

**HHG1-1
(SSR-DA)**



CHARACTERISTICS

Controlling Voltage	014: 3-14VDC, 032: 3-32VDC.	On-off Time	$\leq 10\text{ms}$
Controlling Current	6-35mA	Leakage Current in off	$\leq 10\text{mA}$
Make-on Voltage	3VDC	Dielectric Strength	$\geq 2500\text{VAC}$
Break-off Voltage	1VDC	Insulation Resistance	$500\text{M}\Omega$ (at 500VDC)
Reverse Voltage	32VDC	Ambient Temp.	-30~80°C
Load Voltage	22:30-240VAC, 38:40-440VAC.	Weight	10A \approx 110g, 40A \approx 145g, 80A \approx 150g
Load Current	10A ~ 100A.	Indicate Methods	Led
Instant Voltage	22: 600VAC, 38: 900VAC.	Dimensions	57.2x43.5x29(LxWxH)mm
Voltage Drop in On	$< 1.6\text{VAC}$	Wirinig Diagram	See Page-2

ORDERING INFORMATION

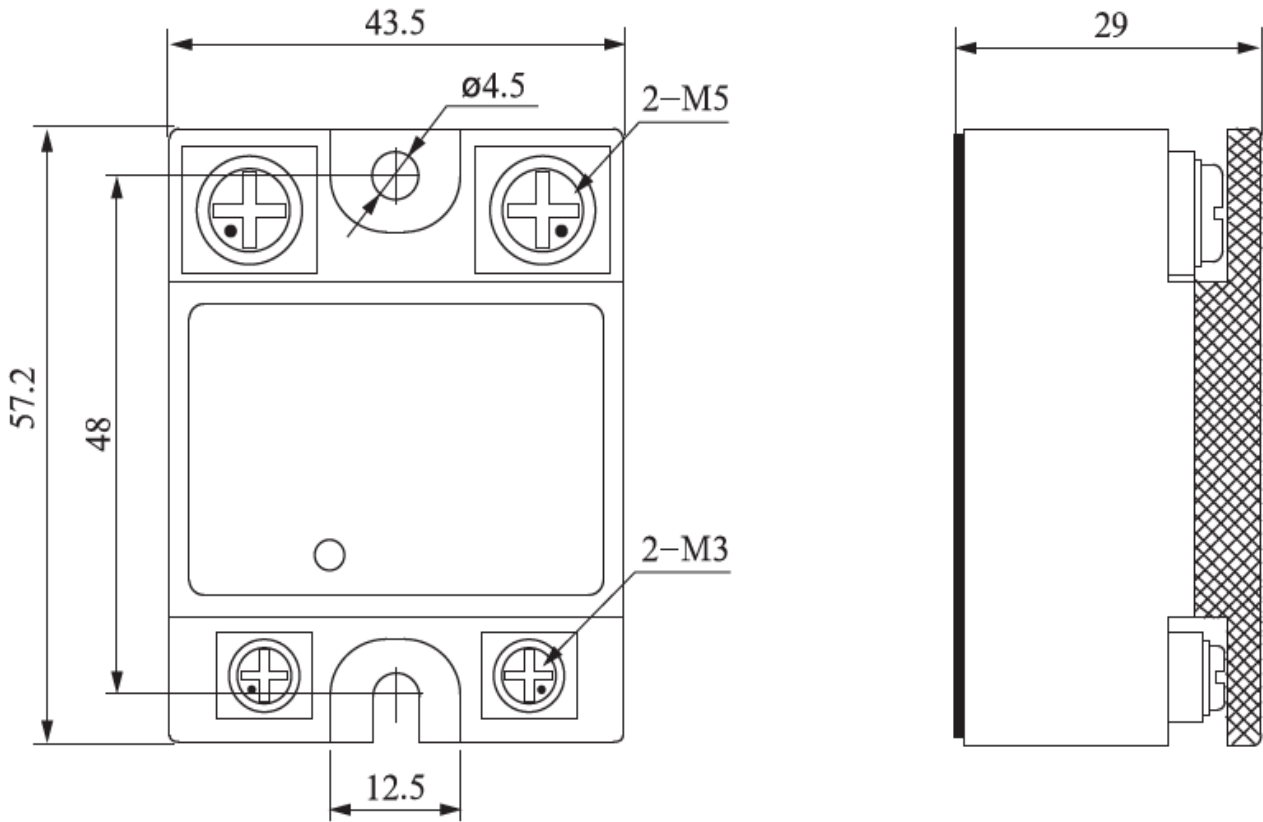
e.g

HHG1-1 / 032F-22 10A

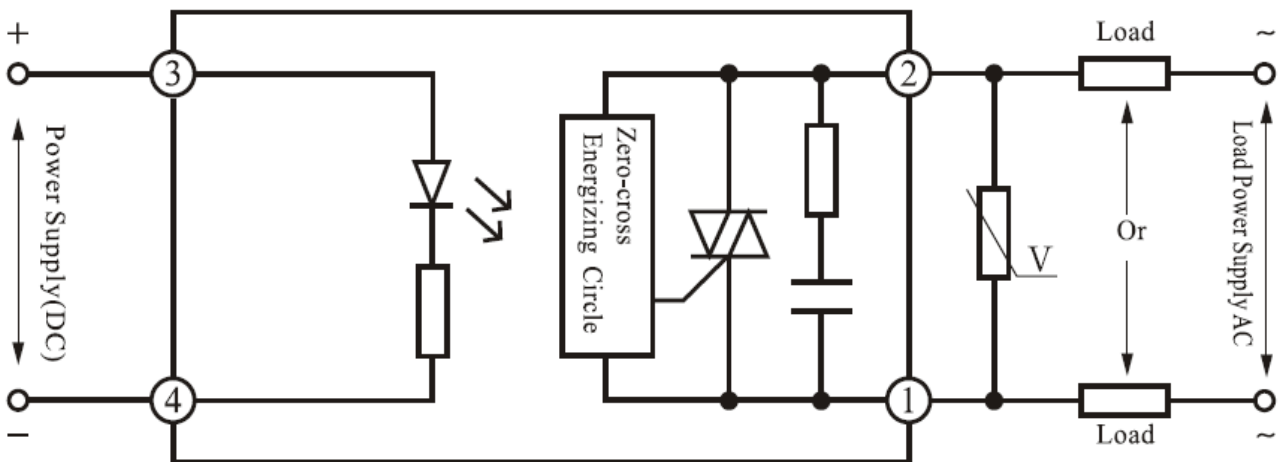
① ② ③ ④

- ① Series: HHG1-1 series(SSR-DA)
- ② Controlling Voltage: 014: 3-14VDC, 032: 3-32VDC.
- ③ Load Voltage : 22: 30-240VAC, 38: 40-440VAC.
- ④ Load current : 10 A, 15A, 20A, 25A, 30A, 40A,60A,80A,100A.

DIMENSIONS (Unit: mm)



WIRING DIAGRAM:



Remarks:

1. Input power must be DC Voltage and Output power must be AC Voltage.
2. Please make correct polarity connection for input and output power.
3. If the SSR with load above 10Amps, it must be mounted onto heat sink. It should be mounted onto fan-cooling or water-cooling if the load above 80Amps.
4. It is zero-cross type.