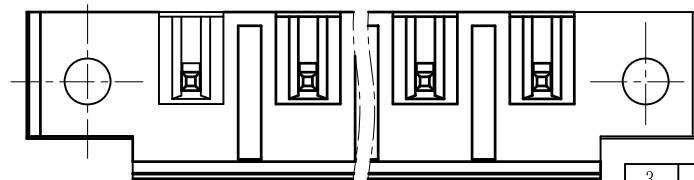
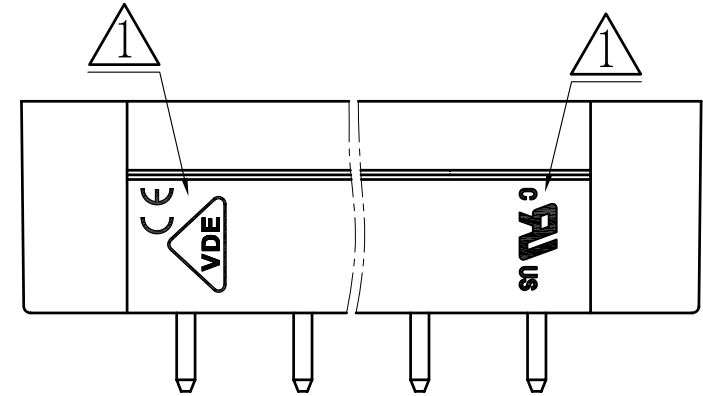
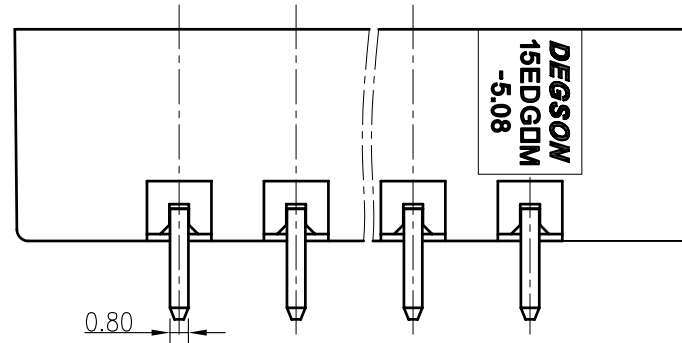
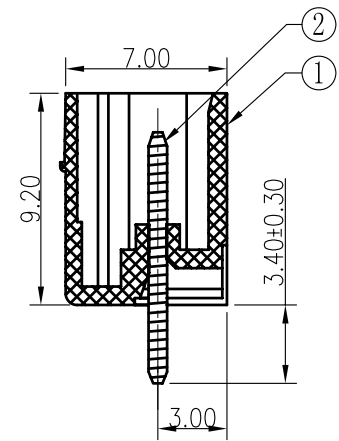
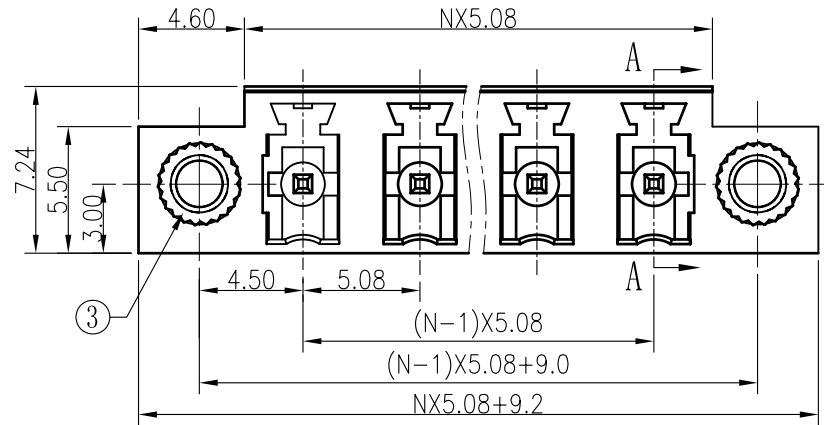


REVISION RECORD					
REV	ECO	DESCRIPTION	DRFT	DATE	
△		增加VDE, UL, CE刻字	Zengy	01/13/09	



SECTION A-A

Notes:

1. Pitch: 5.08mm, Poles: 2-12P
2. Rated voltage/current: UL 300V/8A
VDE 250V/7A
3. Operation temperatures: -40°C ~ +105°C
4. Withstanding Voltage: AC2000V/1min
5. Insulation Resistance: 5000MΩ/DC1000V
6. Undimensioned Tolerances:

Pitch range in mm			Nominal dimension range in mm					
	over 6	over 10	over 30	over 60	over 100	over 150		
to 6	to 10	to 24	to 30	to 60	to 100	to 150	∩	
±0.10	±0.15	±0.25	±0.2	±0.3	±0.5	±0.7	∇	
							0.05/1.0	

ITEM	NAME OF PART	NO. OF PART	Q'TY	MATERIAL	NOTES
3	2EDG screw cap	S00000040 (H)	2	Brass	
2	15EDGV Pin header	1002B00010 (H)	XX	Brass	SnCe plated
1	15EDGVM-5.08-Housing	1173A0YXXA (H)	1	PA66	UL94V-0

DETACHED LISTS	MM (INCH)	DFTO Zhuwm	DATE 12/14/07	宁波高正电子有限公司 DEGSON ELECTRONICS CO., LTD	
	TOLERANCES EXCEPT AS NOTED	CHKD	DATE		
		MFO	DATE		
		APPVL	DATE		
	NAME	15EDGVM-5.08-XXP-1Y-00A (H)			
	ANGLES ± 1°	G.E :	DRAWING NO. 15EDGVM-5.08-E01		
	THIRD ANGLE PROJECTION	FINISH :	/PART NO.		
		SCALE : 1:1	DO NOT SCALE DRAWING		
			SHEET 1 OF 1		