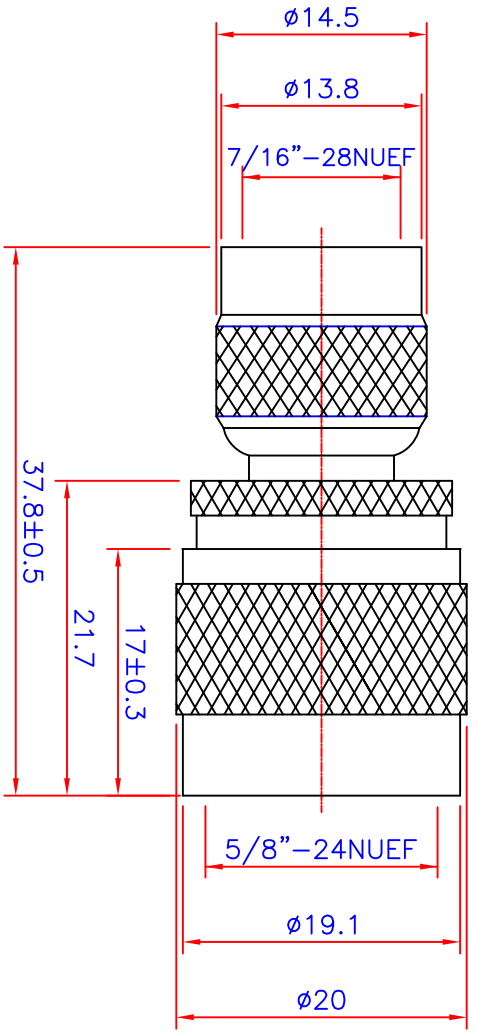


SPECIFICATION
 N MALE TO TNC MALE CONNECTOR
 DELRIN INSULATION, BODY: NICKEL PLATED ,CONTACT; GOLD PLATED
 N 公 (TEFLON絕緣) TO TNC 公 (塑膠絕緣), 本體: 鍍鎳, 金針
 PACKING: 100PCS/包=4KGS, 500PCS/CTN, 18/19KGS, 0.5'



N MALE TO TNC MALE



NO.	DESCRIPTION	QTY	MATERIAL	SPECIFICATION	REMARK	
DRAW BY	CHUN	070909	SCALE	1 : 2	ITEM NO.	TL4488-BDNG
DEGN BY	YANG		UNIT	MM	TITLE	N CONNECTORS
APPD BY	RAY				DWG NO.	TL4488-BDNG -TNS61-A1

同利企業有限公司

TELE LONG ENTERPRISE CO.,LTD

DATE	DRAWG BY	REVISED
------	----------	---------