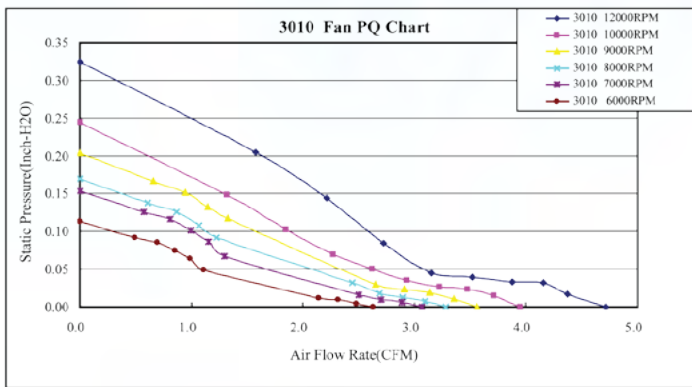


EVERCOOL

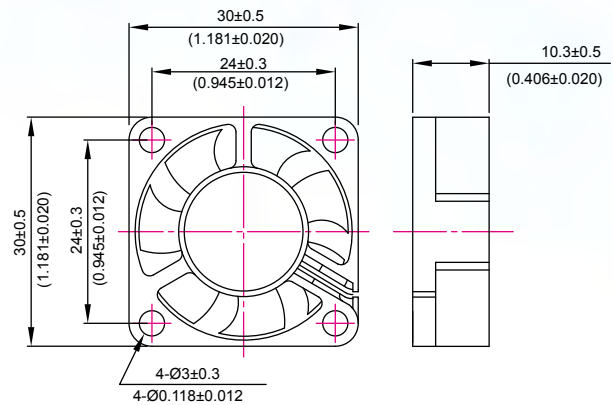
3010 series 30x30x10 mm



P&Q Curve



Dimensions Drawing



UNIT:MM/(INCH)

Specifications

Model	Rated Voltage (VDC)	Rated Current (AMP)	Power Consumption (WATTS)	Speed Reference (RPM)	Air Flow (CFM)	Static Pressure (Inch-H ₂ O)	Noise (dBA)
EC3010SH05X	5	0.26	1.3	12000	4.71	0.33	<33.2
EC3010HH05X	5	0.24	1.2	10000	3.95	0.24	<29.3
EC3010H05X	5	0.20	1.0	9000	3.56	0.20	<27
EC3010M05X	5	0.18	0.9	8000	3.28	0.17	<22
EC3010L05X	5	0.16	0.8	7000	3.07	0.15	<18
EC3010LL05X	5	0.14	0.7	6000	2.63	0.11	<16
EC3010SH12X	12	0.15	1.8	12000	4.71	0.33	<33.2
EC3010HH12X	12	0.13	1.56	10000	3.95	0.24	<29.3
EC3010H12X	12	0.11	1.32	9000	3.56	0.20	<27
EC3010M12X	12	0.08	0.96	8000	3.28	0.17	<22
EC3010L12X	12	0.06	0.72	7000	3.07	0.15	<18

- ▶ Material: impeller & Frame: Plastic (UL 94V-0)
- ▶ Lead Wires: UL 1007 AWG #28 Or Equivalent
Red Wire Positive(+), Black Wire Negative(-), Yellow Wire Or Blue Wire Signal(FG)
- ▶ Function type is optional.

- ▶ The max air flow and the speed are measured in free air; max air pressure is measured at zero air flow.
- ▶ Noise is measured in anechoic chamber in free air, one meter from intake side.
- ▶ All readings are typical values at rated voltage.
- ▶ Specifications are subject to change without notice.
- ▶ Additional special function may be added according to the requirement of customer.