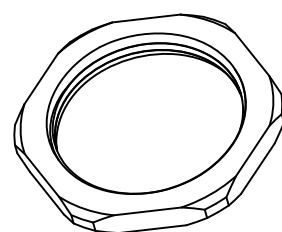
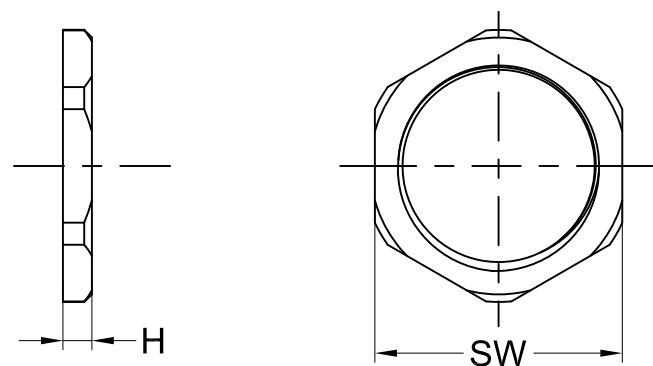


Metric	PG	Thickness (H)	SW	Type
	Pg7	4.5	18	DLM-PG7P
	Pg9	4.5	22	DLM-PG9P
	Pg11	5.0	24	DLM-PG11P
	Pg13.5	5.0	27	DLM-PG13.5P
	Pg16	5.5	30	DLM-PG16P
	Pg21	6.0	35	DLM-PG21P
	Pg29	7.0	45	DLM-PG29P
	Pg36	8.0	58	DLM-PG36P
	Pg42	8.0	65	DLM-PG42P
M12x1.5		4.5	18	DLM-M12P
M16x1.5		5.0	22	DLM-M16P
M20x1.5		5.0	27	DLM-M20P
M25x1.5		6.0	30	DLM-M25P
M32x1.5		6.0	38	DLM-M32P
M40x1.5		8.0	52	DLM-M40P
M50x1.5		8.0	60	DLM-M50P
M63x1.5		8.0	73	DLM-M63P

REVISION RECORD				
REV	ECN	DESCRIPTION	DRFT	DATE



Plastics lock nut
 Material:Nylon
 Temperature range:-40~100°C

DETACHED LISTS	PART NO.:	宁波高松电子有限公司 NINGBO DEGSON ELECTRICAL CO., LTD		
	APPD:	NAME: Plastics lock nut		
	CHKD:	TITLE: CUSTOMER DRAWING		
	DRFT: Mr. Yang2016.08.18	REV	DO-1	
THIRD ANGLE PROJECTION		DRAWING NO.:	SHEET	1/1
		MM (INCH)	DO NOT SCALE DRAWING	SCALE