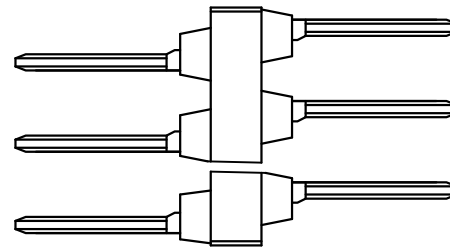
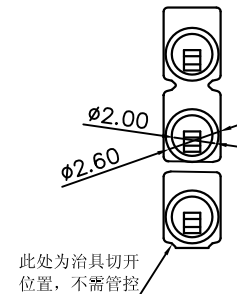
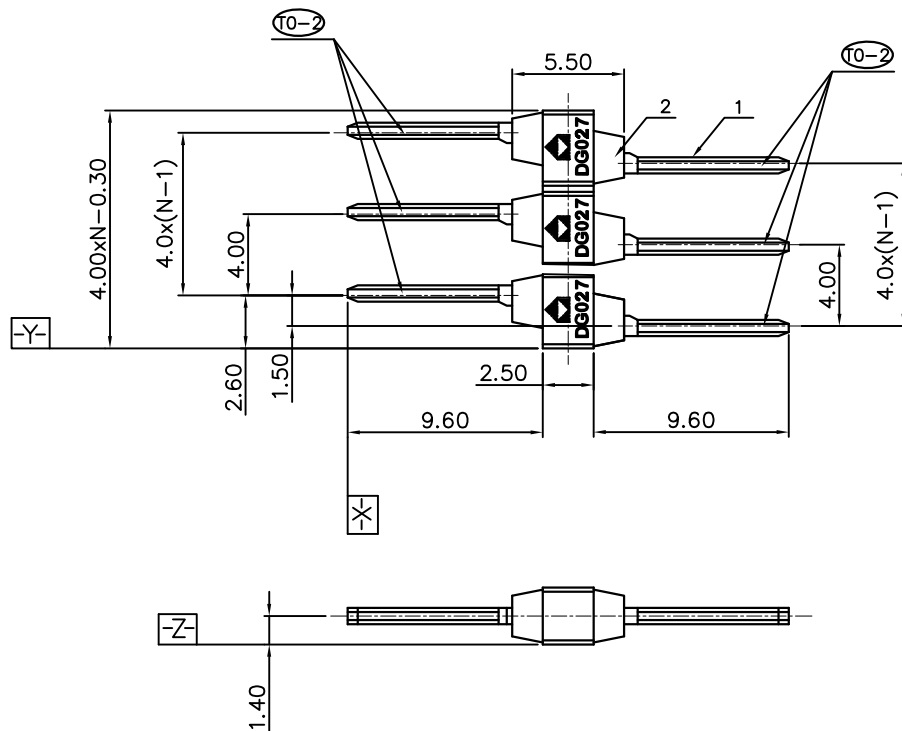


REVISION RECORD				
REV	ECN	DESCRIPTION	DRFT	DATE
T0-2	15-0267	针宽改为0.8mm, 并增加倒角	WL	07/06/15"



NOTES:

- 1.DIMENSION SHALL BE INTERPRETED PER ASME Y14.5-2009.
- 2.PITCH: 4.0MM ,POLES: N=1~3P
- 3.RATED VOLTAGE/CURRENT:  
UL1977 600V/9A(01P)、250V/9A(02P/03P)  
IEC 160V/9A
- 4.OPERATION TEMPERATURES: -40℃~+105℃
- 5.RATED IMPULSE VOLTAGE: 2.2KV/MIN
- 6.INSULATION RESISTANCE: 5000M Ω/DC1000V
- 7.UNDIMENSIONED TOLERANCES:

TO	PITCH RANGE IN MM		NOMINAL DIMENSION RANGE IN MM					-	
	OVER 6 TO 10	OVER 10 TO 24	OVER 30 TO 30	OVER 60 TO 60	OVER 100 TO 100	OVER 150 TO 150	OVER 150 TO 150		
6	±0.10	±0.15	±0.25	±0.20	±0.30	±0.50	±0.70	±1.00	0.05/10

2	DG027-4.0- 包塑件	3097J2906A(H)	XX/6	PA66+25%GF	UL94V-0
1	DG027-4.0-TERMINAL	3097B00010(H)	XX	COPPER	SN PLATED
ITEM	NAME OF PART	NO. OF PART	Q"TY	MATERIAL	NOTES

DETACHED LISTS	MM (INCH)	MATERIAL:	DEGSON® 宁波高正电子有限公司 DEGSON ELECTRONICS CO., LTD		
	TOLERANCES EXCEPT AS NOTED	FINISH:	NAME: DG027-4.0-XXP-19-00A(H)		
	.X ± .XX ± .XXX ±	PART NO.:	TITLE: ASSEMBLY DRAWING		
	ANGLES ± 1°	APPD:	REV	T0-2	
THIRD ANGLE PROJECTION	DRFT: XLM 09/11/14"	CHKD:	DRAWING NO.: DG027-4.0-E01		
DO NOT SCALE DRAWING		SCALE	N/A		
SHEET		1/1			