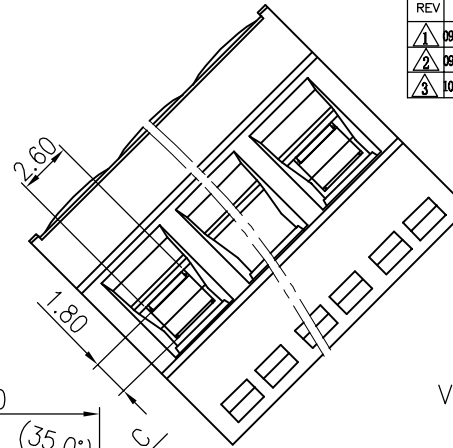
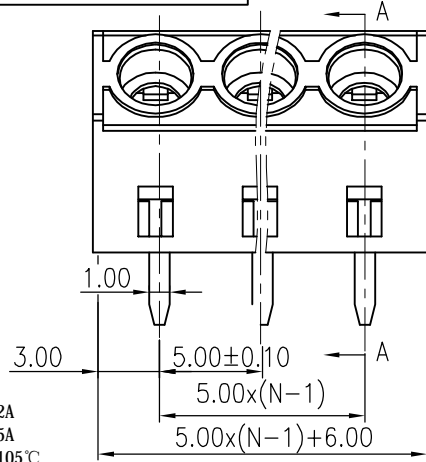


B 向



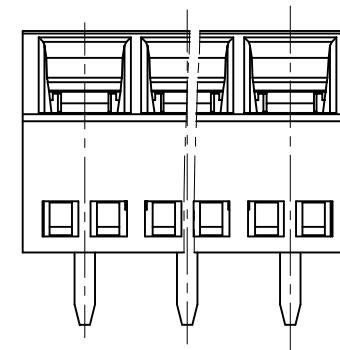
view c

REVISION RECORD				
REV	ECO	DESCRIPTION	DRFT	DATE
△	09-0118	增加VDE刻字及参数	GHY	11-24-09
△	09-0129	增加UL刻字及参数	lasting	04-13-10
△	10-0281	避专利结构变更	Jordan.Y	09-01-10



B

section A-A



Notes:

- Pitch: 5.0mm, Poles: 2-16P
- Rated voltage/current: UL 300V/12A, VDE 250V/15A
- Operation temperatures: -40°C~+105°C
- Withstanding Voltage: AC2000V/1Min
- Insulation Resistance: 5000MΩ/DC1000V
- Wire Range: 26-14AWG, 1.5mm²
- Max. Torque Value: M2.5, 4.08kgf.cm
- Undimensioned Tolerances:

Pitch range in mm		Nominal dimension range in mm					
to	over	to	over	to	over		
6	10	30	60	100	150	∩	
10	24	30	60	100	150	□	
±0.10	±0.15	±0.25	±0.2	±0.3	±0.5	±0.7	±1.0

5	DG127S-5.0-Cover	4140COYXXA(H)	1	PA66	UL94V-0
4	DG127 Cage	X000000170(H)	XX	Brass	Ni plated
3	DG127S-5.08-Pin	4141B00010(H)	XX	Phosphor bronze	SnCe plated
2	DG127 "—"Screws	S000001450(H)	XX	Steel	C ² Zn

ITEM	NAME OF PART	NO. OF PART	Q'TY	MATERIAL	NOTES
1	DG127S-5.0-座	4140AOYXXA(H)	1	PA66	UL94V-0

DETAILED LIST	MM (INCH)	DFTO Zhwm	DATE 11/05/08
		CHKD	DATE
		MFO	DATE
		APPVL	DATE
		MATERIAL :	
		G.E :	
		FINISH :	
		SCALE :	

		宁波高正电子有限公司 DEGSON ELECTRONICS CO., LTD	
NAME DG127S-5.0-XXP-1Y-00A(H)		DRAWING NO. DG127S-5.0-E01	
DO NOT SCALE DRAWING		SIZE A3	REV T3 09/01/10
SHEET 1		OF 1	

8

7

6

5

4

3

2

1