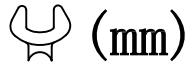


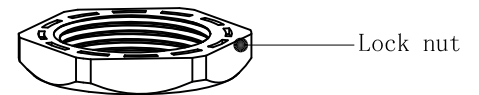
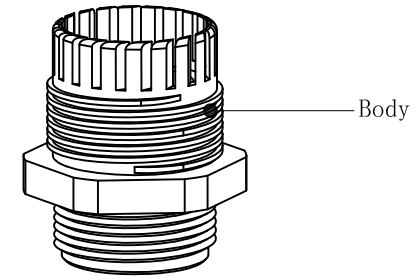
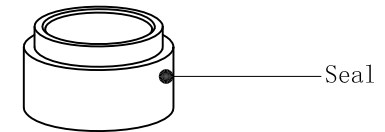
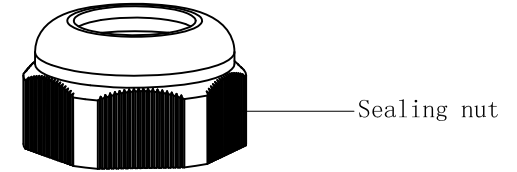
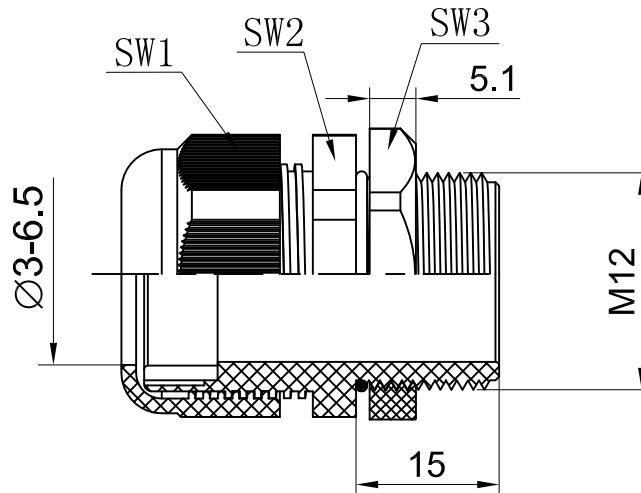
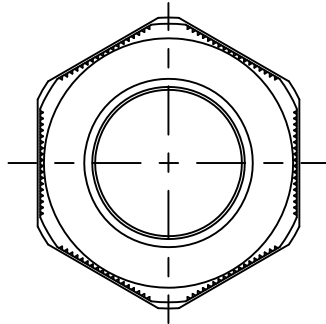
Plastics Cable gland



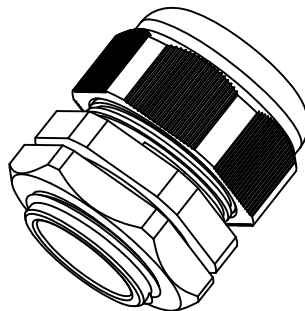
REVISION RECORD

REV	ECN	DESCRIPTION	DRFT	DATE

Metric	Claping range(∅)	SW1	SW2	SW3
M12	3-6.5	15.7	15.8	17



Plastics Cable gland
 Material:Nylon
 Seal Material:NBR
 Degree of protection:IP68
 Temperature range:-40~100°C
 Color:Black



DETACHED LISTS	PART NO.:	/		
	APPD:	NAME: DEGSON 宁波高松电子有限公司 NINGBO DEGSON ELECTRICAL CO., LTD		
	CHKD:	DDL-M12PL-02AH		
	DRFT: Mr. Yang2016.08.18	TITLE: CUSTOMER DRAWING	REV	D0-1
	DRAWING NO.:		SHEET	1/1
THIRD ANGLE PROJECTION		MM (INCH)	DO NOT SCALE DRAWING	SCALE