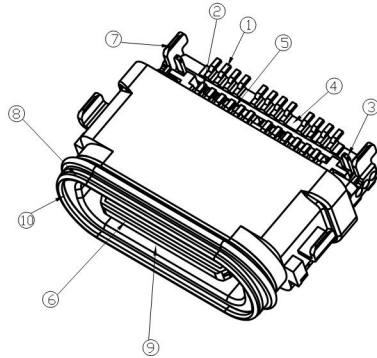
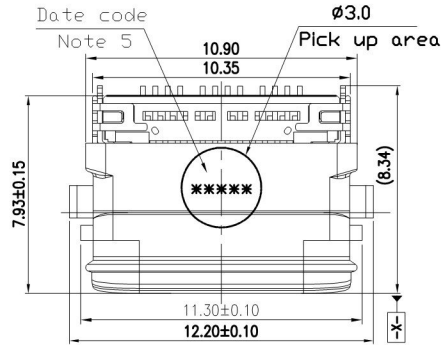
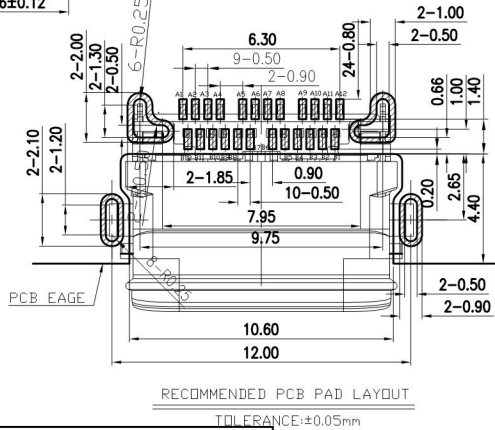
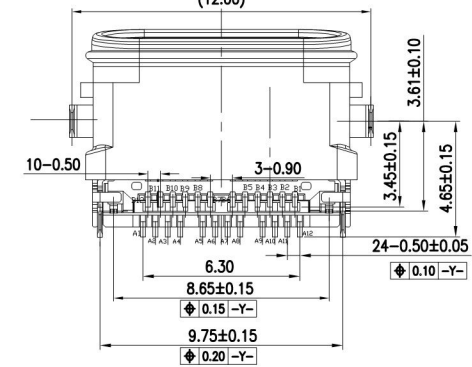
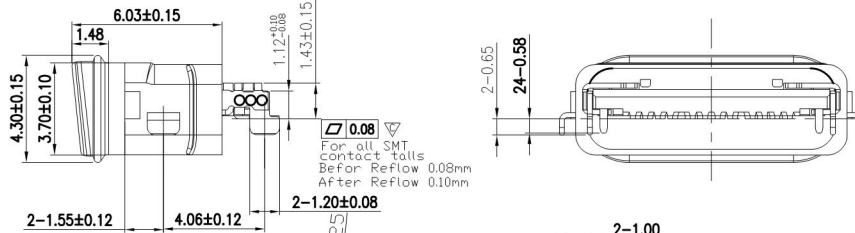
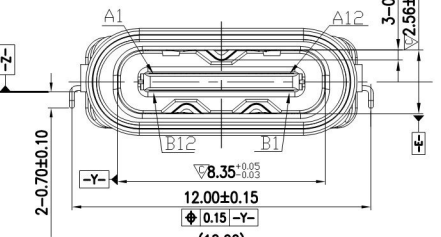


IDEAS GENERATED DRAWING.DO NOT CHANGE BY HAND.

REV	ECN.NO	APPD.
X1	BS-16-0052535	RZ.Li



- Notes:
- Electrical requirements:
 - Contact current rating:6A
 - Contact rated voltage:30VAC;
 - Contact resistance:
 - initial: All contacts Pin 40mΩhm max.
 - after durability:change of +10mΩhm.
 - Insulation resistance: 100 MΩhm Min.
 - Withstanding strength: 100V AC For 1 Minute.
 - Mechanical requirements:
 - Mating force: 5-20N .
 - Unmating force:initial: 8~20N,after durability:6~20N.
 - Durability: 10,000 cycles min.
 - Operating temp: -40°C TO +80°C
 - Unless otherwise specified,all dimensiona are in mm.
 - No burrs are allowed on the contact area and solder tail area, the maximum allowed stamping burrs is 0.05mm unless otherwise specified.
 - Dimensioning marked ▽ should check the Cpk(1.33Min.) data;
 - Printing definition:
 - Year ← * * * *
 - Month ← * * * *
 - Day ← * * * *
 - Shift:(D:day or Night:N)
 - Line No.
 - Please contact FIT sales representative to verify product details & availability.
 - Haemful material control please follow DOC.NO."EPI12".



Contact Function

ITEM:USB3.1 TYPE-C 24PF-068

A12	GND	B1	GND
A11	SSRXp2	B2	SSTXp2
A10	SSRXn2	B3	SSTXn2
A9	VBUS	B4	VBUS
A8	SBU1	B5	CC2
A7	Dn1	B6	Dp2
A6	Dp1	B7	Dn2
A5	CC1	B8	SBU2
A4	VBUS	B9	VBUS
A3	SSTXn1	B10	SSRXn1
A2	SSTXp1	B11	SSRXp1
A1	GND	B12	GND

10	LIM	silicon rubber	/
9	Sub shell housing	HTN	UL94V-0
8	SUB SHELL	SUS304-1/2H	Over all : 0.25 um min. Ni underplated
7	MAIN SHELL	SUS304-1/2H	Over all : 0.25 um min. Ni underplated
6	OVER MOULDING	PA NYLON BLACK	UL94V-0
5	BOTTOM CONTACT I/M	PA NYLON BLACK	UL94V-0
4	TOP CONTACT I/M	PA NYLON BLACK	UL94V-0
3	SHIELDING PLATE	SUS301-H	Over all : 0.25 um min. Ni underplated
2	BOTTOM CONTACT	C5210R-EH	Over all:2.5um min. Ni underplated Contact area:0.75um min. Au plated(gold flash all over of contact including side and bottom side).
1	TOP CONTACT	C5210R-EH	Solder tail:0.025um min. Au plated
ITEM	PART NAME	MATERIAL	REMARK

X± /	X'± /	UNITS	mm	NAME(INTENDED USE) HuaWei Type C
.X± 0.25	.X'± /	MAT'L		
.XX± 0.20	.XX'± /	FINISH		PART NO.(INTENDED USE) UT12123-104W0-7H
.XXX± /	.XXX'± /		Q'TY	
THESE DRAWINGS AND SPECIFICATIONS ARE THE PROPERTY OF FOXCONN INTERCONNECT TECHNOLOGY LIMITED. AND SHALL NOT BE REPRODUCED, COPIED OR USED IN ANY MANNER WITHOUT THE PRIOR WRITTEN CONSENT OF FOXCONN INTERCONNECT TECHNOLOGY LIMITED.				CHKD: Tom Zhao
				DR: Caiyun zhang 06/13'16

Pin No. Signal name Pin No. Signal name			
RUI CHI			
CLASS: <input type="checkbox"/> CONFIDENTIAL <input type="checkbox"/> SECRET <input checked="" type="checkbox"/> GENERAL			
TITLE: CUSTOMER DRAWING			
DWG NO.: 327-0000-3474			
		SCALE	SHEET
1:1	1/1		REV. X1