

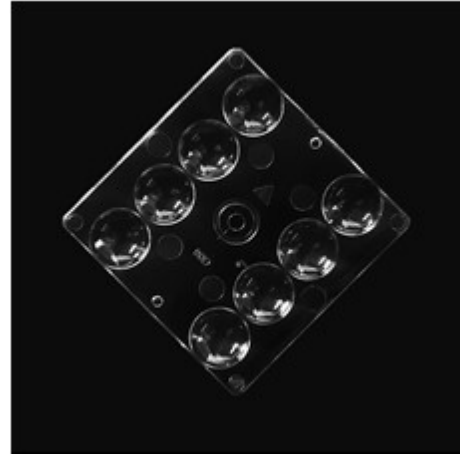
DATASHEET

High Bay Lens

S01.01.01.151_MD-50X50-8-90

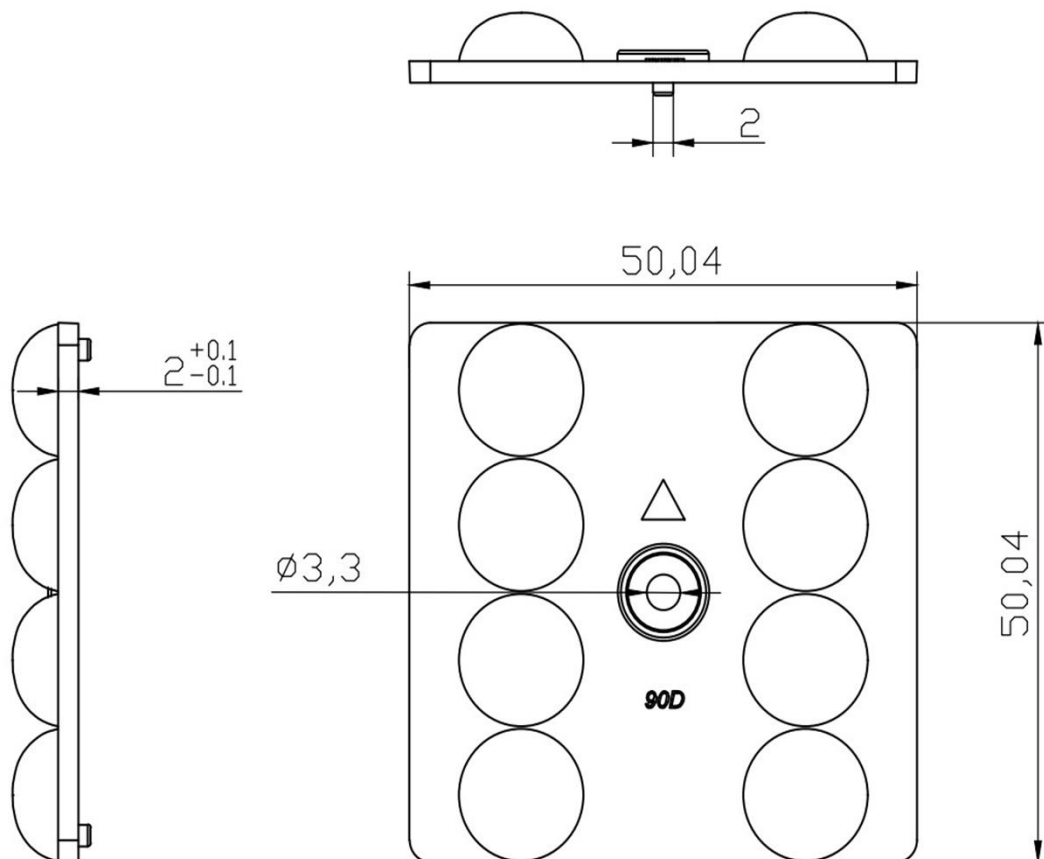
1.General Information

- ✓ Lens Material: PC
- ✓ Size: 50X50 (mm)
- ✓ FWHM: 90°
- ✓ Design LED: Luxeon 5050
- ✓ Compatible LED size: /
- ✓ Efficiency: 96%
- ✓ Fasten: Screw
- ✓ IP class: N/A
- ✓ Seal: N/A
- ✓ RoHS: YES
- ✓ Color: Clear



2.MECHANICAL SPECIFICATION

UNIT:MM



3.OPTICAL DATA

1) Simulation Data

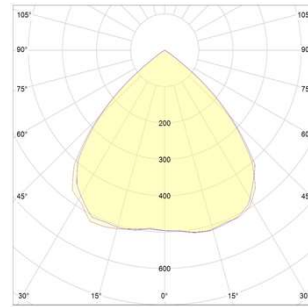
Brand: Luxeon

LED model: 5050

Light colour: White

FWTM: H104.9°,V108°

FWHM: H85.8°,V89.8°



2) Test Data

Brand: Not simulate

LED model: Not simulate

Light colour: Not simulate

FWTM: Not simulate

FWHM: Not simulate

4.Usage and Maintenance

- 1) If necessary, clean lenses with mild soap, water and soft cloth.
- 2) Never use any commercial cleaning solvents on lenses, like alcohol.
- 3) Please handle lens with wearing gloves, skin oils may damage lens or its optical characteristic.

5.Note

Please test the data again before using. The chart data is for reference only.