

RoHS



# Fuse Clip

# Specification Guide Codes:

**A= Item Number**

**B= Metal Material**

**C= Material Thickness ( mm )**

**D= Suitable Rated Current**

\* Beryllium Copper Recommended For Current Higher Than 15A To Order Add " Q " e.g. **L-KLS5-205S Q**

# Option Finish Selecting:

**N= Nickel Plating**

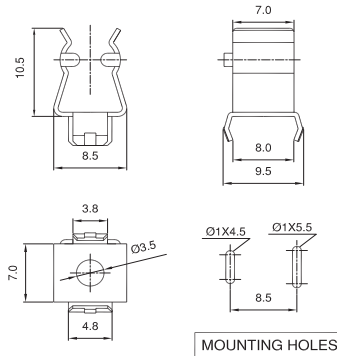
**S= Silver Plating**

( To Order Add **N** or **S** e.g. **L-KLS5-205B N** )

## P.C. BOARD MOUNT FUSE CLIPS FOR 1/4" (6.3mm) DIAMETER FUSE



### L-KLS5-205B



B: Spring Brass  
C: 0.5t  
D: 15A  
Bright Tin Plated  
Ear Type

KLS ELECTRONIC CO., LTD.