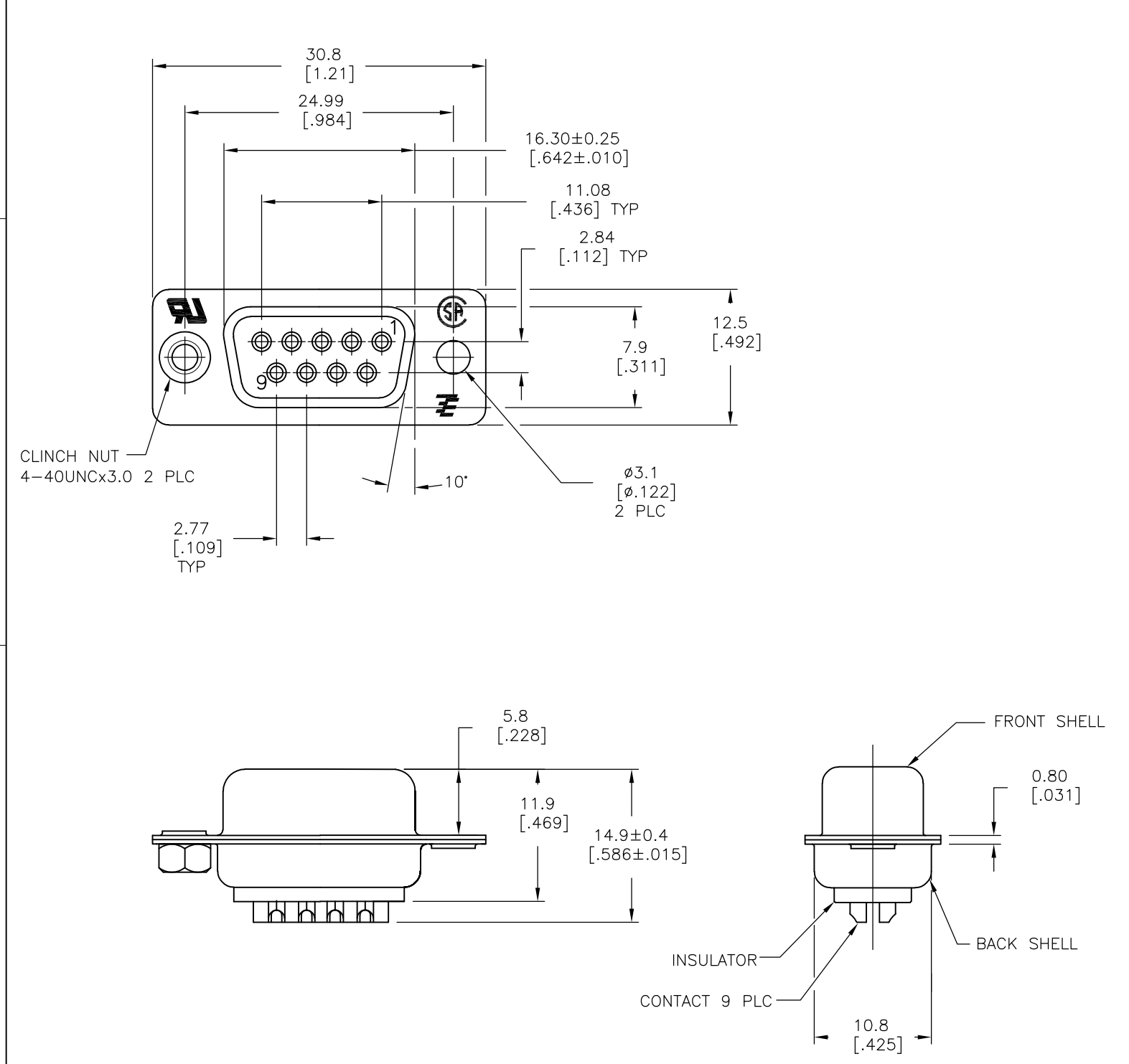


THIS DRAWING IS UNPUBLISHED. RELEASED FOR PUBLICATION
 © COPYRIGHT - By - ALL RIGHTS RESERVED.

LOC	DIST	REVISIONS					
GP	00	P	LTR	DESCRIPTION	DATE	DWN	APVD
			AB	REVISED PER ECO-15-010090	16JUL2015	AP	DG



- 1 MATERIAL:
 FRONT INSULATOR: PBT, 30 %GF, UL94V-0, BLACK COLOR
 BACK INSULATOR: PBT, 30 %GF, UL94V-0, BLACK COLOR
 CONTACT: BRASS
 FRONT & BACK SHELL: STEEL
 CLINCH NUTS: BRASS
- 2 FINISH:
 CONTACT: GOLD PLATING 0.00002[.000008] MIN ON CONTACT AREA 0.00229[.000090]
 MIN TIN-LEAD PLATING ALL OVER 0.00127[.000050] MIN NICKEL
- 3 CONTACT: GOLD PLATING 0.00076[.000030] MIN ON CONTACT AREA 0.00229[.000090]
 MIN TIN-LEAD PLATING ALL OVER 0.00127[.000050] MIN NICKEL
- 4 SHELL: BRIGHT TIN 0.00241[.000095] MIN FULL SHELL
- 5 SHELL: BLUE ZINC: 0.00508[.000200] - 0.00762[.000300] OVER ENTIRE SHELL
- 6 CONTACT: GOLD PLATING 0.00002[.000008] MIN ON CONTACT AREA 0.00229[.000090]
 MIN HOT DIPPED TIN-COPPER PLATING ALL OVER 0.00127[.000050] MIN NICKEL
- 7 CLINCH NUTS: NICKEL PLATING .00305-.00508[.000120-.000200]
- 8 SPECIFICATION
 ELECTRICAL CHARACTERISTICS: CURRENT RATING: 3 AMPERES
 DIELECTRIC WITHSTANDING VOLTAGE: AC 1000V r.m.s
 INSULATION RESISTANCE: 5000 MEGOHMS MINIMUM AT DC 500V
 CONTACT RESISTANCE: 10 MILLIOHMS MAXIMUM.
- 9 RECEPTACLE ASSEMBLY MATES WITH ANY 9 POSITION PLUG IN AMPLIMITE SERIES
- 10 SOLDER CUP WILL ACCOMODATE 20 AWG MAX WIRE.
- 11 ROHS 2002/95/EC/COMPLIANT
- 12 CONTACT: GOLD PLATING 0.00076[.000030] MIN ON CONTACT AREA 0.00229[.000090]
 MIN HOT DIPPED TIN-COPPER ALL OVER 0.00127[.000050] MIN NICKEL PLATING

11	OBSOLETE	STANDARD	NO	6	5	5-747905-4
11		STANDARD	YES	6	4	5-747905-7
11		STANDARD	NO	12	4	5-747905-5
11		STANDARD	NO	6	4	5-747905-2
11	SUPERSEDED TO 5-747905-2	STANDARD	NO	6	4	747905-8
	SUPERSEDED TO 5-747905-7	STANDARD	YES	2	4	747905-7
	SUPERSEDED TO 5-747905-5	STANDARD	NO	3	4	747905-5
	SUPERSEDED TO 5-747905-4	STANDARD	NO	2	5	747905-4
	SUPERSEDED TO 5-747905-2	STANDARD	NO	2	4	747905-2

PACKAGING TYPE	7 CLINCH NUTS	CONTACTS	SHELLS	PART NO.
----------------	---------------	----------	--------	----------

THIS DRAWING IS A CONTROLLED DOCUMENT. DIMENSIONING AND TOLERANCING PER ASME Y14.5M-2009		DWN M.BINNER 03MAR03	TE Connectivity				
DIMENSIONS: mm		CHK R.BENDORF 05MAR03					
TOLERANCES UNLESS OTHERWISE SPECIFIED:		APVD R.BENDORF 05MAR03	NAME				
0 PLC ± - 1 PLC ± 0.25 2 PLC ± 0.13 3 PLC ± 0.05 4 PLC ± - ANGLES ± -		PRODUCT SPEC	RECEPTACLE ASSEMBLY, SOLDER CUP, SIZE 1, 9 POSITION, AMPLMITE				
MATERIAL 1		FINISH SEE TABLE	APPLICATION SPEC	SIZE	CAGE CODE	DRAWING NO	RESTRICTED TO
			WEIGHT -	A3	00779	C-747905	-
CUSTOMER DRAWING			SCALE 2:1	SHEET 1 OF 1	REV AB		

Mouser Electronics

Authorized Distributor

Click to View Pricing, Inventory, Delivery & Lifecycle Information:

[TE Connectivity:](#)

[5-747905-2](#)