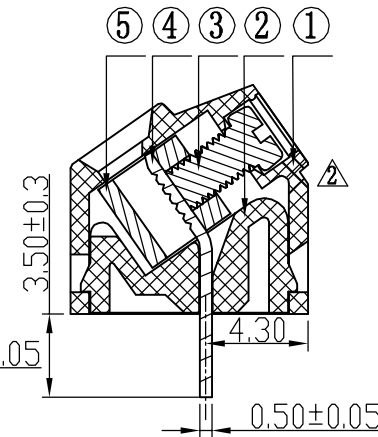
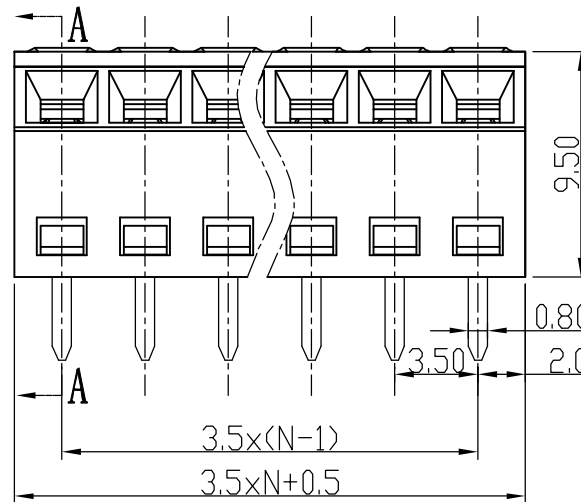
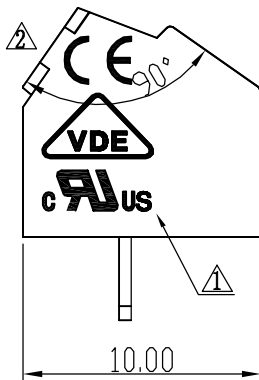
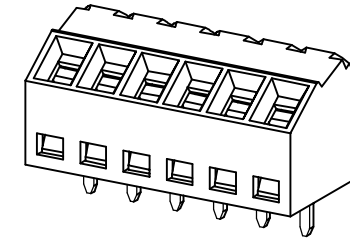
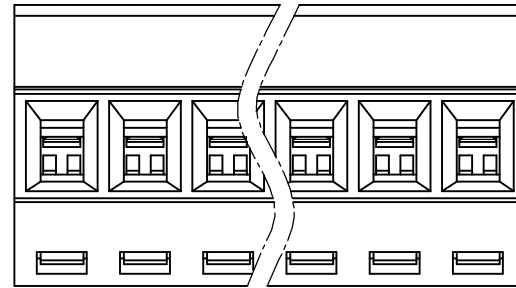


REVISION RECORD				
REV	ECN	DESCRIPTION	DRFT	DATE
▲	10-0152	增加UL刻字	Lasting	23/05/10'
▲	10-0279	避专利修改外观	PwngWu	08/30/10'



Notes:

- Pitch: 3.5mm, Poles: 2-16P
- Rated voltage/current: UL 300V/10A  
IEC 130V/10A
- Operation temperatures: -40°C ~ +105°C
- Withstanding Voltage: AC2000V/1Min
- Insulation Resistance: 5000MΩ/DC1000V
- Wire Range: 26~16AWG, 1.0mm<sup>2</sup>
- Max. Torque Value: M2, 2.04kgf.cm
- Undimensioned Tolerances:

Pitch range in mm		Nominal dimension range in mm						
to 6	over 6 to 10	over 10 to 24	over 24 to 30	over 30 to 60	over 60 to 100	over 100 to 150	150	
±0.10	±0.15	±0.25	±0.2	±0.3	±0.5	±0.7	±1.0	
							0.05/10	

5	DG381 Cage	X000000300 (H)	XX	Brass	Ni plated
4	DG381S-3.5 Pin header	4147B00010 (H)	XX	Copper	SnCe
3	DG381 Screws	S000001440 (H)	XX	Steel	Cr <sup>3+</sup> Zn
2	DG381S-3.5-Cover	4147C0YXXA (H)	1	PA66	UL94V-0

ITEM	NAME OF PART	NO. OF PART	Q'TY	MATERIAL	NOTES																																	
1	DG381S-3.5-Housing	4147A0YXXA (H)	1	PA66	UL94V-0																																	
DETAILED LISTS		<table border="1"> <tr> <td>MM (INCH)</td> <td>DF TO YHG</td> <td>DATE 10/24/08*</td> </tr> <tr> <td>TOLERANCES EXCEPT AS NOTED</td> <td>CHK'D</td> <td>DATE</td> </tr> <tr> <td></td> <td>MFD</td> <td>DATE</td> </tr> <tr> <td>MM</td> <td>APP'VL</td> <td>DATE</td> </tr> <tr> <td>.0 ±</td> <td></td> <td></td> </tr> <tr> <td>.00 ±</td> <td></td> <td></td> </tr> <tr> <td>.000 ±</td> <td></td> <td></td> </tr> <tr> <td colspan="2">MATERIAL :</td> <td></td> </tr> <tr> <td colspan="2">ANGLES ± 1°</td> <td>G.E :</td> </tr> <tr> <td colspan="2">THIRD ANGLE PROJECTION</td> <td>FINISH:</td> </tr> <tr> <td colspan="2">SCALE : 1:1</td> <td></td> </tr> </table>				MM (INCH)	DF TO YHG	DATE 10/24/08*	TOLERANCES EXCEPT AS NOTED	CHK'D	DATE		MFD	DATE	MM	APP'VL	DATE	.0 ±			.00 ±			.000 ±			MATERIAL :			ANGLES ± 1°		G.E :	THIRD ANGLE PROJECTION		FINISH:	SCALE : 1:1		
MM (INCH)	DF TO YHG	DATE 10/24/08*																																				
TOLERANCES EXCEPT AS NOTED	CHK'D	DATE																																				
	MFD	DATE																																				
MM	APP'VL	DATE																																				
.0 ±																																						
.00 ±																																						
.000 ±																																						
MATERIAL :																																						
ANGLES ± 1°		G.E :																																				
THIRD ANGLE PROJECTION		FINISH:																																				
SCALE : 1:1																																						
<p>NAME: DG381S-3.5-XXP-1Y-00A(H)</p> <p>DRAWING NO. DG381S-3.5-E01      SIZE A3      REV T2 08/30/10'</p> <p>/PART NO.      DD NDT SCALE DRAWING      SHEET 1 OF 1</p>																																						