

	Date		Page	1 - 3
	Specification type			
	SND -2312			

APPROVAL SHEET FOR PIEZOELECTRIC BUZZER

specification type	SND -2312
Customer specification type	

Customer	
Customer name/Stamp/Sign/Date	Drawn: Nancy Cao
	Checked:
	Approved:

	Date		Page	2 - 3
Specification type				
SND -2312				

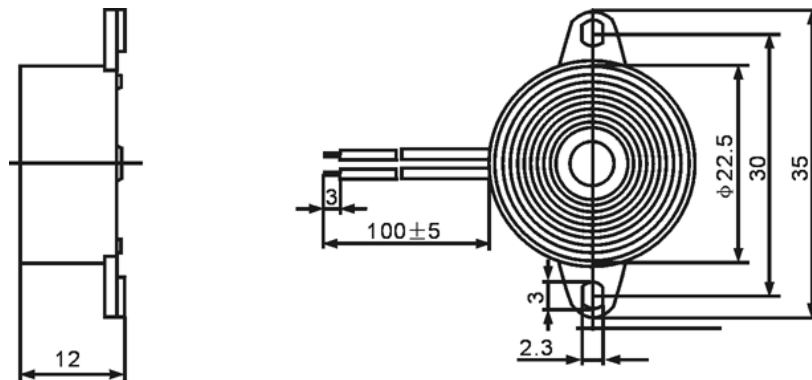
Specification for Piezoelectric Buzzer

Type	Unit	SND -2312
Rated Voltage	V	12
Operating Voltage	V	3 ~ 24
Rated Current (MAX)	mA	≤10
Min Sound Output at 30cm	dB	≥85
Resonant Frequency	Hz	3500 ± 500
Operating Temperature	°C	-20 ~ +60
Storage Temperature	°C	-30 ~ +70
Housing Material		ABS
Weight	g	4.0

(UNIT: mm)

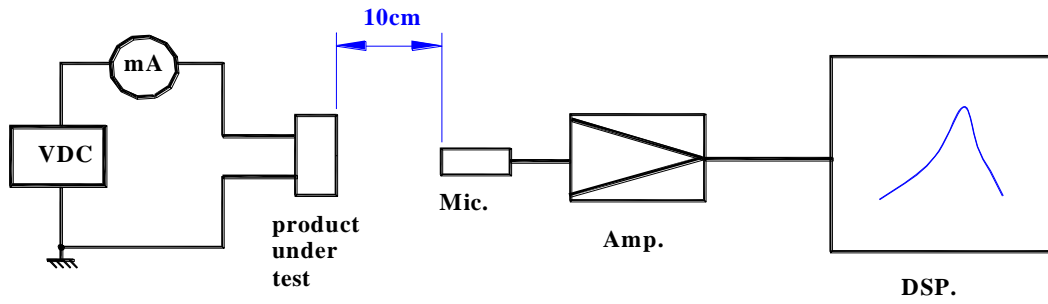
Tolerance: ±0.5mm Except Specified

Continuous tone



	Date		Page	3 - 3
	Specification type			
	SND -2312			

Test Method:



FREQUENCY RESPONSE

