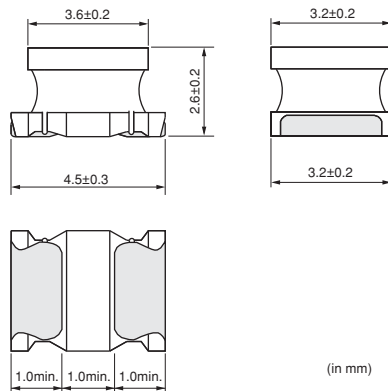


# LQH43MN\_03/LQH43NN\_03 Series 1812/4532 (inch/mm)

## Size Code 1812 (4532) in inch (in mm)

### Appearance/Dimensions



### Packaging

| Code | Packaging              | Minimum Quantity |
|------|------------------------|------------------|
| L    | ø180mm Embossed Taping | 500              |
| K    | ø330mm Embossed Taping | 2500             |



Refer to pages 137 to 140 for mounting information.

### Rated Value (□: packaging code)

| Part Number    | Inductance | Inductance Test Frequency | Rated Current | Max. of DC Resistance | Q (min.) | Q Test Frequency | Self-Resonance Frequency (min.) |     |
|----------------|------------|---------------------------|---------------|-----------------------|----------|------------------|---------------------------------|-----|
| LQH43MN1R0M03□ | 1.0μH ±20% | 1MHz                      | 500mA         | 0.20Ω                 | 20       | 1MHz             | 120MHz                          | Kit |
| LQH43MN1R2M03□ | 1.2μH ±20% | 1MHz                      | 500mA         | 0.20Ω                 | 20       | 1MHz             | 100MHz                          | Kit |
| LQH43MN1R5M03□ | 1.5μH ±20% | 1MHz                      | 500mA         | 0.30Ω                 | 20       | 1MHz             | 85MHz                           | Kit |
| LQH43MN1R8M03□ | 1.8μH ±20% | 1MHz                      | 500mA         | 0.30Ω                 | 20       | 1MHz             | 75MHz                           | Kit |
| LQH43MN2R2M03□ | 2.2μH ±20% | 1MHz                      | 500mA         | 0.30Ω                 | 20       | 1MHz             | 62MHz                           | Kit |
| LQH43MN2R7M03□ | 2.7μH ±20% | 1MHz                      | 500mA         | 0.32Ω                 | 20       | 1MHz             | 53MHz                           | Kit |
| LQH43MN3R3M03□ | 3.3μH ±20% | 1MHz                      | 500mA         | 0.35Ω                 | 20       | 1MHz             | 47MHz                           | Kit |
| LQH43MN3R9M03□ | 3.9μH ±20% | 1MHz                      | 500mA         | 0.38Ω                 | 20       | 1MHz             | 41MHz                           | Kit |
| LQH43MN4R7K03□ | 4.7μH ±10% | 1MHz                      | 500mA         | 0.40Ω                 | 30       | 1MHz             | 38MHz                           | Kit |
| LQH43MN5R6K03□ | 5.6μH ±10% | 1MHz                      | 500mA         | 0.47Ω                 | 30       | 1MHz             | 33MHz                           | Kit |
| LQH43MN6R8K03□ | 6.8μH ±10% | 1MHz                      | 450mA         | 0.50Ω                 | 30       | 1MHz             | 31MHz                           | Kit |
| LQH43MN8R2K03□ | 8.2μH ±10% | 1MHz                      | 450mA         | 0.56Ω                 | 30       | 1MHz             | 27MHz                           | Kit |
| LQH43MN100J03□ | 10μH ±5%   | 1MHz                      | 400mA         | 0.56Ω                 | 35       | 1MHz             | 23MHz                           |     |
| LQH43MN100K03□ | 10μH ±10%  | 1MHz                      | 400mA         | 0.56Ω                 | 35       | 1MHz             | 23MHz                           | Kit |
| LQH43MN120J03□ | 12μH ±5%   | 1MHz                      | 380mA         | 0.62Ω                 | 35       | 1MHz             | 21MHz                           |     |
| LQH43MN120K03□ | 12μH ±10%  | 1MHz                      | 380mA         | 0.62Ω                 | 35       | 1MHz             | 21MHz                           | Kit |
| LQH43MN150J03□ | 15μH ±5%   | 1MHz                      | 360mA         | 0.73Ω                 | 35       | 1MHz             | 19MHz                           |     |
| LQH43MN150K03□ | 15μH ±10%  | 1MHz                      | 360mA         | 0.73Ω                 | 35       | 1MHz             | 19MHz                           | Kit |
| LQH43MN180J03□ | 18μH ±5%   | 1MHz                      | 340mA         | 0.82Ω                 | 35       | 1MHz             | 17MHz                           |     |
| LQH43MN180K03□ | 18μH ±10%  | 1MHz                      | 340mA         | 0.82Ω                 | 35       | 1MHz             | 17MHz                           | Kit |
| LQH43MN220J03□ | 22μH ±5%   | 1MHz                      | 320mA         | 0.94Ω                 | 35       | 1MHz             | 15MHz                           |     |
| LQH43MN220K03□ | 22μH ±10%  | 1MHz                      | 320mA         | 0.94Ω                 | 35       | 1MHz             | 15MHz                           | Kit |
| LQH43MN270J03□ | 27μH ±5%   | 1MHz                      | 300mA         | 1.1Ω                  | 35       | 1MHz             | 14MHz                           |     |
| LQH43MN270K03□ | 27μH ±10%  | 1MHz                      | 300mA         | 1.1Ω                  | 35       | 1MHz             | 14MHz                           | Kit |
| LQH43MN330J03□ | 33μH ±5%   | 1MHz                      | 270mA         | 1.2Ω                  | 35       | 1MHz             | 12MHz                           |     |
| LQH43MN330K03□ | 33μH ±10%  | 1MHz                      | 270mA         | 1.2Ω                  | 35       | 1MHz             | 12MHz                           | Kit |
| LQH43MN390J03□ | 39μH ±5%   | 1MHz                      | 240mA         | 1.4Ω                  | 35       | 1MHz             | 11MHz                           |     |
| LQH43MN390K03□ | 39μH ±10%  | 1MHz                      | 240mA         | 1.4Ω                  | 35       | 1MHz             | 11MHz                           | Kit |
| LQH43MN470J03□ | 47μH ±5%   | 1MHz                      | 220mA         | 1.5Ω                  | 35       | 1MHz             | 10MHz                           |     |
| LQH43MN470K03□ | 47μH ±10%  | 1MHz                      | 220mA         | 1.5Ω                  | 35       | 1MHz             | 10MHz                           | Kit |
| LQH43MN560J03□ | 56μH ±5%   | 1MHz                      | 200mA         | 1.7Ω                  | 35       | 1MHz             | 9.3MHz                          |     |
| LQH43MN560K03□ | 56μH ±10%  | 1MHz                      | 200mA         | 1.7Ω                  | 35       | 1MHz             | 9.3MHz                          | Kit |

Class of Magnetic Shield: No magnetic shield

Operating Temperature Range (Self-temperature rise is not included): -40°C~+85°C


Continued on the following page.

△Note • Please read rating and △CAUTION (for storage, operating, rating, soldering, mounting and handling) in this catalog to prevent smoking and/or burning, etc.  
• This catalog has only typical specifications. Therefore, please approve our product specifications or transact the approval sheet for product specifications before ordering.

| Part Number    | Inductance  | Inductance Test Frequency | Rated Current | Max. of DC Resistance | Q (min.) | Q Test Frequency | Self-Resonance Frequency (min.) |     |
|----------------|-------------|---------------------------|---------------|-----------------------|----------|------------------|---------------------------------|-----|
| LQH43MN680J03□ | 68μH ±5%    | 1MHz                      | 180mA         | 1.9Ω                  | 35       | 1MHz             | 8.4MHz                          |     |
| LQH43MN680K03□ | 68μH ±10%   | 1MHz                      | 180mA         | 1.9Ω                  | 35       | 1MHz             | 8.4MHz                          | Kit |
| LQH43MN820J03□ | 82μH ±5%    | 1MHz                      | 170mA         | 2.2Ω                  | 35       | 1MHz             | 7.5MHz                          |     |
| LQH43MN820K03□ | 82μH ±10%   | 1MHz                      | 170mA         | 2.2Ω                  | 35       | 1MHz             | 7.5MHz                          | Kit |
| LQH43MN101J03□ | 100μH ±5%   | 1MHz                      | 160mA         | 2.5Ω                  | 40       | 796kHz           | 6.8MHz                          |     |
| LQH43MN101K03□ | 100μH ±10%  | 1MHz                      | 160mA         | 2.5Ω                  | 40       | 796kHz           | 6.8MHz                          | Kit |
| LQH43MN121J03□ | 120μH ±5%   | 1MHz                      | 150mA         | 3.0Ω                  | 40       | 796kHz           | 6.2MHz                          |     |
| LQH43MN121K03□ | 120μH ±10%  | 1MHz                      | 150mA         | 3.0Ω                  | 40       | 796kHz           | 6.2MHz                          | Kit |
| LQH43MN151J03□ | 150μH ±5%   | 1MHz                      | 130mA         | 3.7Ω                  | 40       | 796kHz           | 5.5MHz                          |     |
| LQH43MN151K03□ | 150μH ±10%  | 1MHz                      | 130mA         | 3.7Ω                  | 40       | 796kHz           | 5.5MHz                          | Kit |
| LQH43MN181J03□ | 180μH ±5%   | 1MHz                      | 120mA         | 4.5Ω                  | 40       | 796kHz           | 5.0MHz                          |     |
| LQH43MN181K03□ | 180μH ±10%  | 1MHz                      | 120mA         | 4.5Ω                  | 40       | 796kHz           | 5.0MHz                          | Kit |
| LQH43MN221J03□ | 220μH ±5%   | 1MHz                      | 110mA         | 5.4Ω                  | 40       | 796kHz           | 4.5MHz                          |     |
| LQH43MN221K03□ | 220μH ±10%  | 1MHz                      | 110mA         | 5.4Ω                  | 40       | 796kHz           | 4.5MHz                          | Kit |
| LQH43MN271J03□ | 270μH ±5%   | 1MHz                      | 100mA         | 6.8Ω                  | 40       | 796kHz           | 4.0MHz                          |     |
| LQH43MN271K03□ | 270μH ±10%  | 1MHz                      | 100mA         | 6.8Ω                  | 40       | 796kHz           | 4.0MHz                          | Kit |
| LQH43MN331J03□ | 330μH ±5%   | 1MHz                      | 95mA          | 8.2Ω                  | 40       | 796kHz           | 3.6MHz                          |     |
| LQH43MN331K03□ | 330μH ±10%  | 1MHz                      | 95mA          | 8.2Ω                  | 40       | 796kHz           | 3.6MHz                          | Kit |
| LQH43MN391J03□ | 390μH ±5%   | 1MHz                      | 90mA          | 9.7Ω                  | 40       | 796kHz           | 3.3MHz                          |     |
| LQH43MN391K03□ | 390μH ±10%  | 1MHz                      | 90mA          | 9.7Ω                  | 40       | 796kHz           | 3.3MHz                          | Kit |
| LQH43MN471J03□ | 470μH ±5%   | 1kHz                      | 80mA          | 11.8Ω                 | 40       | 796kHz           | 3.0MHz                          |     |
| LQH43MN471K03□ | 470μH ±10%  | 1kHz                      | 80mA          | 11.8Ω                 | 40       | 796kHz           | 3.0MHz                          | Kit |
| LQH43MN561J03□ | 560μH ±5%   | 1kHz                      | 70mA          | 14.5Ω                 | 40       | 796kHz           | 2.7MHz                          |     |
| LQH43MN561K03□ | 560μH ±10%  | 1kHz                      | 70mA          | 14.5Ω                 | 40       | 796kHz           | 2.7MHz                          | Kit |
| LQH43MN681J03□ | 680μH ±5%   | 1kHz                      | 65mA          | 17.0Ω                 | 40       | 796kHz           | 2.5MHz                          |     |
| LQH43MN681K03□ | 680μH ±10%  | 1kHz                      | 65mA          | 17.0Ω                 | 40       | 796kHz           | 2.5MHz                          | Kit |
| LQH43MN821J03□ | 820μH ±5%   | 1kHz                      | 60mA          | 20.5Ω                 | 40       | 796kHz           | 2.2MHz                          |     |
| LQH43MN821K03□ | 820μH ±10%  | 1kHz                      | 60mA          | 20.5Ω                 | 40       | 796kHz           | 2.2MHz                          | Kit |
| LQH43MN102J03□ | 1000μH ±5%  | 1kHz                      | 50mA          | 25.0Ω                 | 40       | 252kHz           | 2.0MHz                          |     |
| LQH43MN102K03□ | 1000μH ±10% | 1kHz                      | 50mA          | 25.0Ω                 | 40       | 252kHz           | 2.0MHz                          | Kit |
| LQH43MN122J03□ | 1200μH ±5%  | 1kHz                      | 45mA          | 30.0Ω                 | 40       | 252kHz           | 1.8MHz                          |     |
| LQH43MN122K03□ | 1200μH ±10% | 1kHz                      | 45mA          | 30.0Ω                 | 40       | 252kHz           | 1.8MHz                          | Kit |
| LQH43MN152J03□ | 1500μH ±5%  | 1kHz                      | 40mA          | 37.0Ω                 | 40       | 252kHz           | 1.6MHz                          |     |
| LQH43MN152K03□ | 1500μH ±10% | 1kHz                      | 40mA          | 37.0Ω                 | 40       | 252kHz           | 1.6MHz                          | Kit |
| LQH43NN182J03□ | 1800μH ±5%  | 1kHz                      | 35mA          | 45.0Ω                 | 40       | 252kHz           | 1.5MHz                          |     |
| LQH43NN182K03□ | 1800μH ±10% | 1kHz                      | 35mA          | 45.0Ω                 | 40       | 252kHz           | 1.5MHz                          | Kit |
| LQH43NN222J03□ | 2200μH ±5%  | 1kHz                      | 30mA          | 50.0Ω                 | 40       | 252kHz           | 1.3MHz                          |     |
| LQH43NN222K03□ | 2200μH ±10% | 1kHz                      | 30mA          | 50.0Ω                 | 40       | 252kHz           | 1.3MHz                          | Kit |

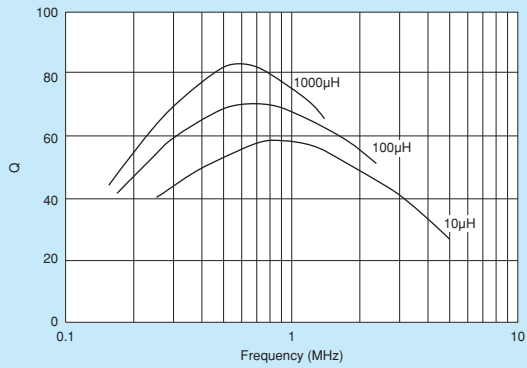
Class of Magnetic Shield: No magnetic shield

Operating Temperature Range (Self-temperature rise is not included): -40°C~+85°C

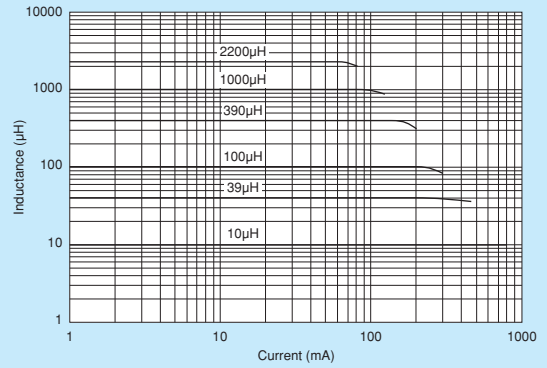
Continued on the following page. 

△Note • Please read rating and △CAUTION (for storage, operating, rating, soldering, mounting and handling) in this catalog to prevent smoking and/or burning, etc.  
 • This catalog has only typical specifications. Therefore, please approve our product specifications or transact the approval sheet for product specifications before ordering.

■ Q-Frequency Characteristics (Typ.)



■ Inductance-Current Characteristics (Typ.)



⚠Note • Please read rating and ⚠CAUTION (for storage, operating, rating, soldering, mounting and handling) in this catalog to prevent smoking and/or burning, etc.  
• This catalog has only typical specifications. Therefore, please approve our product specifications or transact the approval sheet for product specifications before ordering.