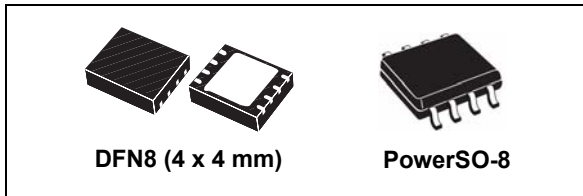


3 A, 900 kHz, monolithic synchronous step-down regulator IC

Datasheet - production data



Features

- Step-down current mode PWM regulator
- Output voltage adjustable from 0.8 V
- Input voltage from 2.5 V up to 18 V
- 2% DC output voltage tolerance
- Synchronous rectification
- Inhibit function
- Synchronizable switching frequency from 400 kHz up to 1.2 MHz
- Internal soft start
- Dynamic short-circuit protection
- Typical efficiency: 90%
- 3 A output current capability
- Standby supply current: max. 6 μ A over temperature range
- Operative junction temp.: from -40 °C to 125 °C

Applications

- Consumer
 - STB, DVD, DVD recorders, TV, VCR, car audio, LCD monitors
- Networking
 - XDSL, modems, DC-DC modules
- Computer
 - Optical storage, HD drivers, printers, audio/graphic cards
- Industrial and security
 - Battery chargers, DC-DC converters, PLD, PLA, FPGA, LED drivers

Description

The ST1S10 is a high efficiency step-down PWM current mode switching regulator capable of providing up to 3 A of output current. The device operates with an input supply range from 2.5 V to 18 V and provides an adjustable output voltage from 0.8 V (V_{FB}) to $0.85 \cdot V_{IN_SW}$ [$V_{OUT} = V_{FB} \cdot (1 + R1/R2)$]. It operates either at a 900 kHz fixed frequency or can be synchronized to an external clock (from 400 kHz to 1.2 MHz). The high switching frequency allows the use of tiny SMD external components, while the integrated synchronous rectifier eliminates the need for a Schottky diode. The ST1S10 provides excellent transient response, and is fully protected against thermal overheating, switching overcurrent and output short-circuit.

The ST1S10 is the ideal choice for point of load regulators or LDO pre-regulation.

Table 1. Device summary

Part number	Order codes	
	DFN8 (4 x 4 mm)	PowerSO-8
ST1S10	ST1S10PUR	ST1S10PHR

Contents

1	Application circuit	5
2	Pin configuration	6
3	Maximum ratings	7
4	Electrical characteristics	8
5	Application information	10
5.1	Description	10
5.2	External components selection	10
	Input capacitor	10
5.3	Output capacitor ($V_{OUT} > 2.5\text{ V}$)	11
5.4	Output capacitor ($0.8\text{ V} < V_{OUT} < 2.5\text{ V}$)	12
5.5	Output voltage selection	12
5.6	Inductor ($V_{OUT} > 2.5\text{ V}$)	13
5.7	Inductor ($0.8\text{ V} < V_{OUT} < 2.5\text{ V}$)	13
5.8	Function operation	13
	5.8.1 Sync operation	13
	5.8.2 Inhibit function	14
	5.8.3 OCP (overcurrent protection)	14
	5.8.4 SCP (short-circuit protection)	14
	5.8.5 SCP and OCP operation with high capacitive load	14
6	Layout considerations	16
	Thermal considerations	17
7	Diagram	18
8	Typical performance characteristics	19

9	Package information	22
9.1	Power SO-8 package information	22
9.2	DFN8 (4 x 4) package information	26
10	Revision history	28

List of tables

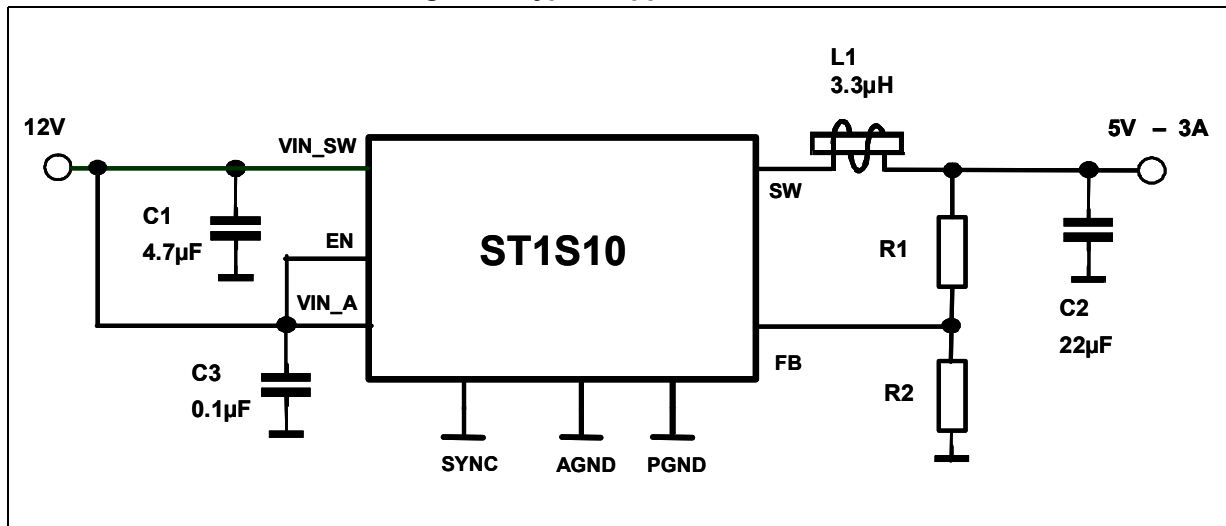
Table 1.	Device summary	1
Table 2.	Pin description	7
Table 3.	Absolute maximum ratings	8
Table 4.	Thermal data	8
Table 5.	ESD protection	8
Table 6.	Electrical characteristics	9
Table 7.	Power SO-8 (exposed pad) package mechanical data	24
Table 8.	Power SO-8 (exposed pad) tape and reel mechanical data	26
Table 9.	DFN8 (4 x 4) package mechanical data	27
Table 10.	DFN8 (4 x 4) tape and reel mechanical data	28
Table 11.	Document revision history	29

List of figures

Figure 1.	Typical application circuit	6
Figure 2.	Pin connections (top view for PowerSO-8, bottom view for DFN8)	7
Figure 3.	Application schematic for heavy capacitive load	16
Figure 4.	Application schematic for low output voltage ($V_{OUT} < 2.5\text{ V}$) and $2.5\text{ V} < V_{IN} < 8\text{ V}$	16
Figure 5.	Application schematic for low output voltage ($V_{OUT} < 2.5\text{ V}$) and $8\text{ V} < V_{IN} < 16\text{ V}$	16
Figure 6.	PCB layout suggestion - top	17
Figure 7.	PCB layout suggestion - bottom	18
Figure 8.	Block diagram	19
Figure 9.	Voltage feedback vs. temperature	20
Figure 10.	Oscillator frequency vs. temperature	20
Figure 11.	Max. duty cycle vs. temperature	20
Figure 12.	Inhibit threshold vs. temperature	20
Figure 13.	Reference line regulation vs. temperature	21
Figure 14.	Reference load regulation vs. temperature	21
Figure 15.	ON mode quiescent current vs. temperature	21
Figure 16.	Shutdown mode quiescent current vs. temperature	21
Figure 17.	PMOS ON resistance vs. temperature	21
Figure 18.	NMOS ON resistance vs. temperature	21
Figure 19.	Efficiency vs. temperature	22
Figure 20.	Efficiency vs. output current at $V_{out} = 5\text{ V}$	22
Figure 21.	Efficiency vs. output current at $V_{out} = 3.3\text{ V}$	22
Figure 22.	Efficiency vs. output current at $V_{out} = 12\text{ V}$	22
Figure 23.	Power SO-8 (exposed pad) package outline	23
Figure 24.	Power SO-8 (exposed pad) recommended footprint	25
Figure 25.	Power SO-8 (exposed pad) tape and reel dimensions	26
Figure 26.	DFN8 (4 x 4) package outline	27
Figure 27.	DFN8 (4 x 4) tape and reel dimensions	28

1 Application circuit

Figure 1. Typical application circuit



2 Pin configuration

Figure 2. Pin connections (top view for PowerSO-8, bottom view for DFN8)

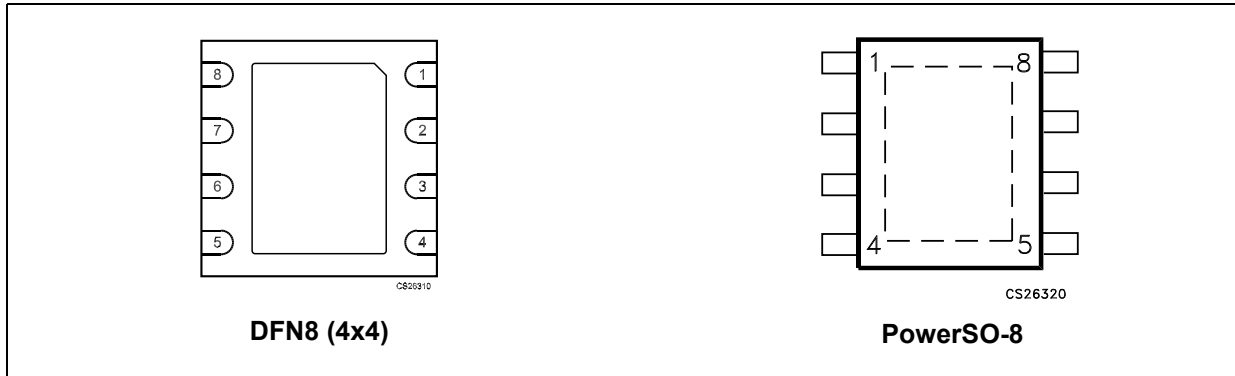


Table 2. Pin description

Pin no.	Symbol	Name and function
1	V_{IN_A}	Analog input supply voltage to be tied to V_{IN} supply source
2	INH (EN)	Inhibit pin active low. Connect to V_{IN_A} if not used
3	V_{FB}	Feedback voltage for connection to external voltage divider to set the V_{OUT} from 0.8V up to $0.85 \cdot V_{IN_SW}$. (see Section 5.5: Output voltage selection on page 13)
4	AGND	Analog ground
5	SYNC	Synchronization and frequency select. Connect SYNC to GND for 900 kHz operation, or to an external clock from 400 kHz to 1.2 MHz. (see Section 5.8.1: Sync operation on page 14)
6	V_{IN_SW}	Power input supply voltage to be tied to V_{IN} power supply source
7	SW	Switching node to be connected to the inductor
8	PGND	Power ground
epad	epad	Exposed pad to be connected to ground

3 Maximum ratings

Table 3. Absolute maximum ratings

Symbol	Parameter	Value	Unit
V_{IN_SW}	Positive power supply voltage	-0.3 to 20	V
V_{IN_A}	Positive supply voltage	-0.3 to 20	V
V_{INH}	Inhibit voltage	-0.3 to V_{IN_A}	V
V_{SW}	Output switch voltage	-0.3 to 20	V
V_{FB}	Feedback voltage	-0.3 to 2.5	V
I_{FB}	FB current	-1 to +1	mA
Sync	Synchronization	-0.3 to 6	V
T_{STG}	Storage temperature range	-40 to 150	°C
T_{OP}	Operating junction temperature range	-40 to 125	°C

Note: Absolute maximum ratings are the values beyond which damage to the device may occur. Functional operation under these conditions is not implied.

Table 4. Thermal data

Symbol	Parameter	PowerSO-8	DFN8	Unit
R_{thJA}	Thermal resistance junction ambient	40	40	°C/W
R_{thJC}	Thermal resistance junction case	12	4	°C/W

Table 5. ESD protection

Symbol	Test condition	Value	Unit
ESD	HBM	2	kV
	CDM	500	V
	MM	200	V

4 Electrical characteristics

$V_{IN} = V_{IN_SW} = V_{IN_A} = V_{INH} = 12\text{ V}$, $V_{SYNC} = \text{GND}$, $V_{OUT} = 5\text{ V}$, $I_{OUT} = 10\text{ mA}$,
 $C_{IN} = 4.7\text{ }\mu\text{F} + 0.1\text{ }\mu\text{F}$, $C_{OUT} = 22\text{ }\mu\text{F}$, $L1 = 3.3\text{ }\mu\text{H}$, $T_J = -40\text{ to }125\text{ }^\circ\text{C}$ (unless otherwise specified, refer to the typical application circuit. Typical values assume $T_J = 25\text{ }^\circ\text{C}$).

Table 6. Electrical characteristics

Symbol	Parameter	Test conditions	Min.	Typ.	Max.	Unit
V_{FB}	Feedback voltage	$T_J = 25\text{ }^\circ\text{C}$	784	800	816	mV
		$T_J = -25\text{ }^\circ\text{C to }125\text{ }^\circ\text{C}$	776	800	824	mV
I_{FB}	V_{FB} pin bias current				600	nA
I_Q	Quiescent current	$V_{INH} > 1.2\text{ V}$, not switching		1.5	2.5	mA
		$V_{INH} < 0.4\text{ V}$		2	6	μA
I_{OUT}	Output current ⁽¹⁾	$V_{IN} = 2.5\text{ V to }18\text{ V}$, $V_{OUT} = 0.8\text{ V to }13.6\text{ V}$ ⁽²⁾	3.0			A
V_{INH}	Inhibit threshold	Device ON	1.2			V
		Device OFF			0.4	V
I_{INH}	Inhibit pin current			2		μA
$\%V_{OUT}/\Delta V_{IN}$	Reference line regulation	$2.5\text{ V} < V_{IN} < 18\text{ V}$		0.4		$\%V_{OUT}/\Delta V_{IN}$
$\%V_{OUT}/\Delta I_{OUT}$	Reference load regulation	$10\text{ mA} < I_{OUT} < 3\text{ A}$		0.5		$\%V_{OUT}/\Delta I_{OUT}$
PWM fs	PWM switching frequency	$V_{FB} = 0.7\text{ V}$, Sync = GND $T_J = 25\text{ }^\circ\text{C}$	0.7	0.9	1.1	MHz
D_{MAX}	Maximum duty cycle ⁽²⁾		85	90		%
R_{DSon-N}	NMOS switch on resistance	$I_{SW} = 750\text{ mA}$		0.10		Ω
R_{DSon-P}	PMOS switch on resistance	$I_{SW} = 750\text{ mA}$		0.12		Ω
I_{SWL}	Switch current limitation			5.0		A
ν	Efficiency	$I_{OUT} = 100\text{ mA to }300\text{ mA}$		85		%
		$I_{OUT} = 300\text{ mA to }3\text{ A}$		90		%
T_{SHDN}	Thermal shutdown			150		$^\circ\text{C}$
T_{HYS}	Thermal shutdown hysteresis			15		$^\circ\text{C}$
$V_{OUT}/\Delta I_{OUT}$	Output transient response	$100\text{ mA} < I_{OUT} < 1\text{ A}$, $t_R = t_F$ $\geq 500\text{ ns}$		± 5		$\%V_O$
$V_{OUT}/\Delta I_{OUT}$ @ $I_O = \text{short}$	Short-circuit removal response (overshot)	$10\text{ mA} < I_{OUT} < \text{short}$		± 10		$\%V_O$
F_{SYNC}	SYNC frequency capture range	$V_{IN} = 2.5\text{ V to }18\text{ V}$, $V_{SYNC} = 0\text{ to }5\text{ V}$	0.4		1.2	MHz
$SYNC_{WD}$	SYNC pulse width	$V_{IN} = 2.5\text{ V to }18\text{ V}$	250			ns
V_{IL_SYNC}	SYNC input threshold low	$V_{IN} = 2.5\text{ V to }18\text{ V}$			0.4	V

Table 6. Electrical characteristics (continued)

Symbol	Parameter	Test conditions	Min.	Typ.	Max.	Unit
V_{IH_SYNC}	SYNC input threshold high	$V_{IN} = 2.5\text{ V to }18\text{ V}$	1.6			V
I_{IL}, I_{IH}	SYNC input current	$V_{IN} = 2.5\text{ V to }18\text{ V}, V_{SYNC} = 0\text{ or }5\text{ V}$	-10		+10	μA
UVLO	Under voltage lock-out threshold	V_{IN} rising		2.3		V
		Hysteresis		200		mV

1. Guaranteed by design, but not tested in production.
2. See [Section 5.5: Output voltage selection](#) for maximum duty cycle conditions.

5 Application information

5.1 Description

The ST1S10 is a high efficiency synchronous step-down DC-DC converter with inhibit function. It provides up to 3 A over an input voltage range of 2.5 V to 18 V, and the output voltage can be adjusted from 0.8 V up to 85% of the input voltage level. The synchronous rectification removes the need for an external Schottky diode and allows higher efficiency even at very low output voltages.

A high internal switching frequency (0.9 MHz) allows the use of tiny surface-mount components, as well as a resistor divider to set the output voltage value. In typical application conditions, only an inductor and 3 capacitors are required for proper operation.

The device can operate in PWM mode with a fixed frequency or synchronized to an external frequency through the SYNC pin. The current mode PWM architecture and stable operation with low ESR SMD ceramic capacitors results in low, predictable output ripple. No external compensation is needed.

To maximize power conversion efficiency, the ST1S10 works in pulse skipping mode at light load conditions and automatically switches to PWM mode when the output current increases.

The ST1S10 is equipped with thermal shutdown protection activated at 150 °C (typ.).

Cycle-by-cycle short-circuit protection provides protection against shorted outputs for the application and the regulator. An internal soft start for start-up current limiting and power ON delay of 275 μs (typ.) helps to reduce inrush current during start-up.

5.2 External components selection

Input capacitor

The ST1S10 features two V_{IN} pins: V_{IN_SW} for the power supply input voltage where the switching peak current is drawn, and V_{IN_A} to supply the ST1S10 internal circuitry and drivers.

The V_{IN_SW} input capacitor reduces the current peaks drawn from the input power supply and reduces switching noise in the IC. A high power supply source impedance requires larger input capacitance.

For the V_{IN_SW} input capacitor the RMS current rating is a critical parameter that must be higher than the RMS input current. The maximum RMS input current can be calculated using the following equation:

Equation 1

$$I_{RMS} = I_O \cdot \sqrt{D - \frac{2 \cdot D^2}{\eta} + \frac{D^2}{\eta}}$$

where η is the expected system efficiency, D is the duty cycle and I_O is the output DC current. The duty cycle can be derived using [Equation 2](#).

Equation 2

$$D = (V_{OUT} + V_F) / (V_{IN} - V_{SW})$$

where V_F is the voltage drop across the internal NMOS, and V_{SW} represents the voltage drop across the internal PDMOS. The minimum duty cycle (at V_{IN_max}) and the maximum duty cycle (at V_{IN_min}) should be considered in order to determine the max I_{RMS} flowing through the input capacitor.

A minimum value of 4.7 μF for the V_{IN_SW} and a 0.1 μF ceramic capacitor for the V_{IN_A} are suitable in most application conditions. A 10 μF or higher ceramic capacitor for the V_{IN_SW} and a 1 μF or higher for the V_{IN_A} are recommended in cases of higher power supply source impedance or where long wires are needed between the power supply source and the V_{IN} pins. The above higher input capacitor values are also recommended in cases where an output capacitive load is present ($47 \mu F < C_{LOAD} < 100 \mu F$), which could impact the switching peak current drawn from the input capacitor during the start-up transient.

In cases of very high output capacitive loads ($C_{LOAD} > 100 \mu F$), all input/output capacitor values shall be modified as described in [Section 5.8.5: SCP and OCP operation with high capacitive load](#).

The input ceramic capacitors should have a voltage rating in the range of 1.5 times the maximum input voltage and be located as close as possible to V_{IN} pins.

5.3 Output capacitor ($V_{OUT} > 2.5 V$)

The most important parameters for the output capacitor are the capacitance, the ESR and the voltage rating. The capacitance and the ESR affect the control loop stability, the output ripple voltage and transient response of the regulator.

The ripple due to the capacitance can be calculated with the following equation:

Equation 3

$$V_{RIPPLE(C)} = (0.125 \times \Delta I_{SW}) / (F_S \times C_{OUT})$$

where F_S is the PWM switching frequency and ΔI_{SW} is the inductor peak-to-peak switching current, which can be calculated as:

Equation 4

$$\Delta I_{SW} = [(V_{IN} - V_{OUT}) / (F_S \times L)] \times D$$

where D is the duty cycle.

The ripple due to the ESR is given by:

Equation 5

$$V_{RIPPLE(ESR)} = \Delta I_{SW} \times ESR$$

The equations above can be used to define the capacitor selection range, but final values should be verified by testing an evaluation circuit.

Lower ESR ceramic capacitors are usually recommended to reduce the output ripple voltage. Capacitors with higher voltage ratings have lower ESR values, resulting in lower output ripple voltage.

Also, the capacitor ESL value impacts the output ripple voltage, but ceramic capacitors usually have very low ESL, making ripple voltages due to the ESL negligible. In order to reduce ripple voltages due to the parasitic inductive effect, the output capacitor connection paths should be kept as short as possible.

The ST1S10 has been designed to perform best with ceramic capacitors. Under typical application conditions a minimum ceramic capacitor value of 22 μF is recommended on the output, but higher values are suitable considering that the control loop has been designed to work properly with a natural output LC frequency provided by a 3.3 μH inductor and 22 μF output capacitor. If the high capacitive load application circuit shown in [Figure 3](#) is used, a 47 μF (or 2 x 22 μF capacitors in parallel) could be needed as described in [Section 5.8.5: SCP and OCP operation with high capacitive load](#).

The use of ceramic capacitors with voltage ratings in the range of 1.5 times the maximum output voltage is recommended.

5.4 Output capacitor ($0.8\text{ V} < V_{\text{OUT}} < 2.5\text{ V}$)

For applications with lower output voltage levels ($V_{\text{out}} < 2.5\text{ V}$) the output capacitance and inductor values should be selected in a way that improves the DC-DC control loop behavior. In this output condition two cases must be considered: $V_{\text{IN}} > 8\text{ V}$ and $V_{\text{IN}} < 8\text{ V}$.

For $V_{\text{IN}} < 8\text{ V}$ the use of 2 x 22 μF capacitors in parallel to the output is recommended, as shown in [Figure 4](#).

For $V_{\text{IN}} > 8\text{ V}$, a 100 μF electrolytic capacitor with $\text{ESR} < 0.1\ \Omega$ should be added in parallel to the 2 x 22 μF output capacitors as shown in [Figure 5](#).

5.5 Output voltage selection

The output voltage can be adjusted from 0.8 V up to 85% of the input voltage level by connecting a resistor divider (see R1 and R2 in the typical application circuit) between the output and the V_{FB} pin. A resistor divider with R2 in the range of 20 k Ω is a suitable compromise in terms of current consumption. Once the R2 value is selected, R1 can be calculated using the following equation:

Equation 6

$$R1 = R2 \times (V_{\text{OUT}} - V_{\text{FB}}) / V_{\text{FB}}$$

where $V_{\text{FB}} = 0.8\text{ V}$ (typ.).

Lower values are suitable as well, but will increase current consumption. Be aware that duty cycle must be kept below 85% at all application conditions, so that:

Equation 7

$$D = (V_{\text{OUT}} + V_{\text{F}}) / (V_{\text{IN}} - V_{\text{SW}}) < 0.85$$

where V_{F} is the voltage drop across the internal NMOS, and V_{SW} represents the voltage drop across the internal PDMOS.

Note that once the output current is fixed, higher V_{OUT} levels increase the power dissipation of the device leading to an increase in the operating junction temperature. It is recommended to select a V_{OUT} level which maintains the junction temperature below the

thermal shut-down protection threshold (150°C typ.) at the rated output current. The following equation can be used to calculate the junction temperature (T_J):

Equation 8

$$T_J = \{ [V_{OUT} \times I_{OUT} \times R_{thJA} \times (1-\eta)] / \eta \} + T_{AMB}$$

where R_{thJA} is the junction to ambient thermal resistance, η is the efficiency at the rated I_{OUT} current and T_{AMB} is the ambient temperature.

To ensure safe operating conditions the application should be designed to keep $T_J < 140^\circ\text{C}$.

5.6 Inductor ($V_{OUT} > 2.5\text{ V}$)

The inductor value fixes the ripple current flowing through output capacitor and switching peak current. The ripple current should be kept in the range of 20-40% of I_{OUT_MAX} (for example it is 0.6 - 1.2 A at $I_{OUT} = 3\text{ A}$). The approximate inductor value can be obtained with the following equation:

Equation 9

$$L = [(V_{IN} - V_{OUT}) / \Delta I_{SW}] \times T_{ON}$$

where T_{ON} is the ON time of the internal switch, given by:

$$T_{ON} = D / F_S$$

The inductor should be selected with saturation current (I_{SAT}) equal to or higher than the inductor peak current, which can be calculated with the following equation:

Equation 10

$$I_{PK} = I_O + (\Delta I_{SW}/2), I_{SAT} \geq I_{PK}$$

The inductor peak current must be designed so that it does not exceed the switching current limit.

5.7 Inductor ($0.8\text{ V} < V_{OUT} < 2.5\text{ V}$)

For applications with lower output voltage levels ($V_{out} < 2.5\text{ V}$) the description in the previous section is still valid but it is recommended to keep the inductor values in a range from 1 μH to 2.2 μH in order to improve the DC-DC control loop behavior, and increase the output capacitance depending on the V_{IN} level as shown in [Figure 4](#) and [Figure 5](#). In most application conditions a 2.2 μH inductor is the best compromise between DC-DC control loop behavior and output voltage ripple.

5.8 Function operation

5.8.1 Sync operation

The ST1S10 operates at a fixed frequency or can be synchronized to an external frequency with the SYNC pin. The ST1S10 switches at a frequency of 900 kHz when the SYNC pin is connected to ground, and can synchronize the switching frequency between 400 kHz to 1.2 MHz from an external clock applied to the SYNC pin. When the SYNC feature is not used,

this pin must be connected to ground with a path as short as possible to avoid any possible noise injected in the SYNC internal circuitry.

5.8.2 Inhibit function

The inhibit pin can be used to turn OFF the regulator when pulled down, thus drastically reducing the current consumption down to less than 6 μA . When the inhibit feature is not used, this pin must be tied to V_{IN} to keep the regulator output ON at all times. To ensure proper operation, the signal source used to drive the inhibit pin must be able to swing above and below the specified thresholds listed in the electrical characteristics section under V_{INH} . Any slew rate can be used to drive the inhibit pin.

5.8.3 OCP (overcurrent protection)

The ST1S10 DC-DC converter is equipped with a switch overcurrent protection. In order to provide protection for the application and the internal power switches and bonding wires, the device goes into a shutdown state if the switch current limit is reached and is kept in this condition for the T_{OFF} period ($T_{\text{OFF(OCP)}} = 135 \mu\text{s}$ typ.) and turns on again for the T_{ON} period ($T_{\text{ON(OCP)}} = 22 \mu\text{s}$ typ.) under typical application conditions. This operation is repeated cycle by cycle. Normal operation is resumed when no overcurrent is detected.

5.8.4 SCP (short-circuit protection)

In order to protect the entire application and reduce the total power dissipation during an overload or an output short-circuit condition, the device is equipped with dynamic short-circuit protection which works by internally monitoring the V_{FB} (feedback voltage).

In the event of an overload or output short-circuit, if the V_{OUT} voltage is reduced causing the feedback voltage (V_{FB}) to drop below 0.3 V (typ.), the device goes into shutdown for the T_{OFF} time ($T_{\text{OFF(SCP)}} = 288 \mu\text{s}$ typ.) and turns on again for the T_{ON} period ($T_{\text{ON(SCP)}} = 130 \mu\text{s}$ typ.). This operation is repeated cycle by cycle, and normal operation is resumed when no overload is detected ($V_{\text{FB}} > 0.3 \text{ V}$ typ.) for the full T_{ON} period.

This dynamic operation can greatly reduce the power dissipation in overload conditions, while still ensuring excellent power-on startup in most conditions.

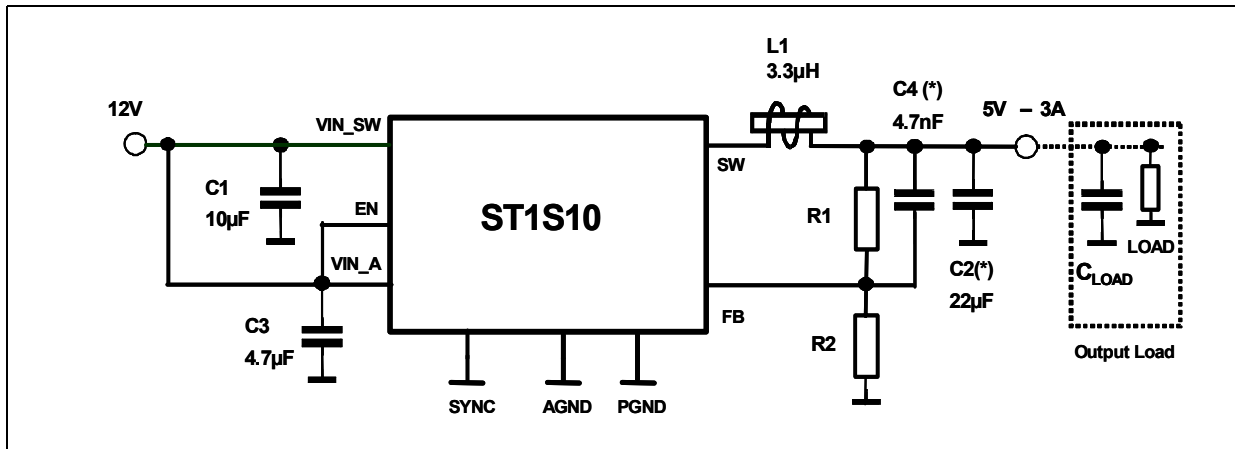
5.8.5 SCP and OCP operation with high capacitive load

Thanks to the OCP and SCP circuit, ST1S10 is strongly protected against damage from short-circuit and overload.

However, a highly capacitive load on the output may cause difficulties during start-up. This can be resolved by using the modified application circuit shown in [Figure 3](#), in which a minimum of 10 μF for C1 and a 4.7 μF ceramic capacitor for C3 are used. Moreover, for $C_{\text{LOAD}} > 100 \mu\text{F}$, it is necessary to add the C4 capacitor in parallel to the upper voltage divider resistor (R1) as shown in [Figure 3](#). The recommended value for C4 is 4.7 nF.

Note that C4 may impact the control loop response and should be added only when a capacitive load higher than 100 μF is continuously present. If the high capacitive load is variable or not present at all times, in addition to C4 an increase in the output ceramic capacitor C2 from 22 μF to 47 μF (or 2 x 22 μF capacitors in parallel) is recommended. Also in this case it is suggested to further increase the input capacitors to a minimum of 10 μF for C1 and a 4.7 μF ceramic capacitor for C3 as shown in [Figure 3](#).

Figure 3. Application schematic for heavy capacitive load



(*) see OCP and SCP descriptions for C2 and C4 selection.

Figure 4. Application schematic for low output voltage ($V_{OUT} < 2.5 V$) and $2.5 V < V_{IN} < 8 V$

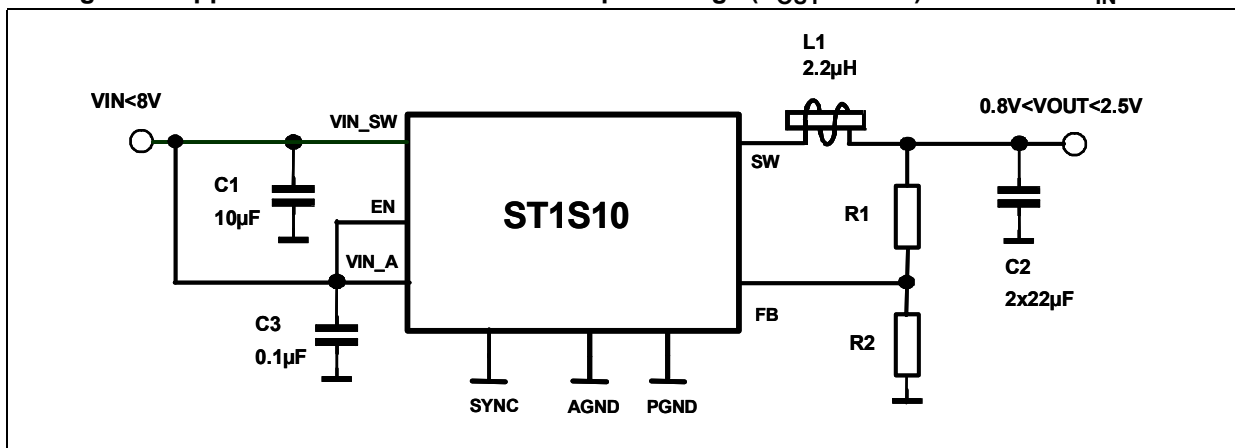
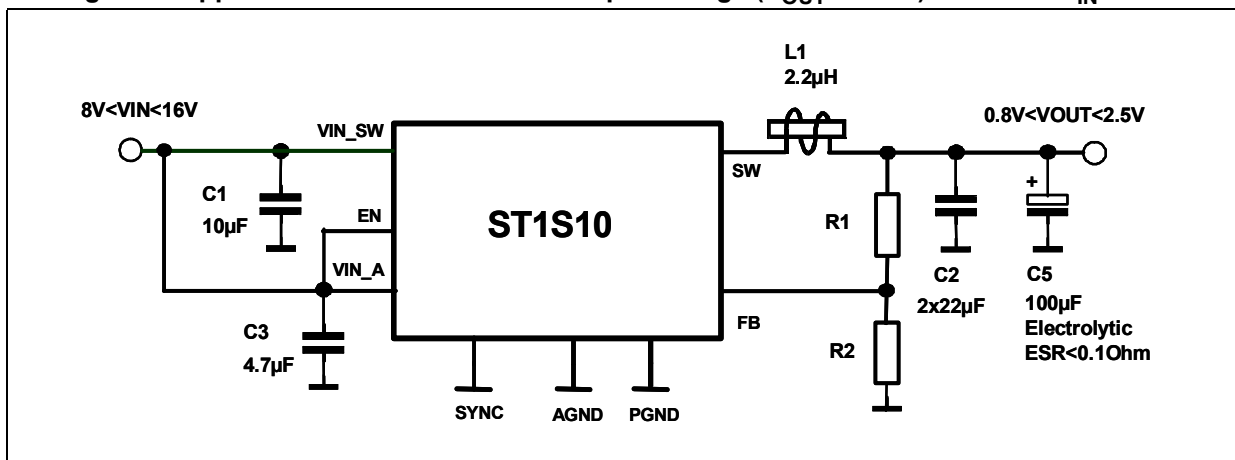


Figure 5. Application schematic for low output voltage ($V_{OUT} < 2.5 V$) and $8 V < V_{IN} < 16 V$



6 Layout considerations

The layout is an important step in design for all switching power supplies.

High speed operation (900 kHz) of the ST1S10 device demands careful attention to PCB layout. Care must be taken in board layout to get device performance, otherwise the regulator could show poor line and load regulation, stability issues as well as EMI problems. It is critical to provide a low inductance, impedance ground path. Therefore, use wide and short traces for the main current paths.

The input capacitor must be placed as close as possible to the IC pins as well as the inductor and output capacitor. Use a common ground node for power ground and a different one for control ground (AGND) to minimize the effects of ground noise. Connect these ground nodes together underneath the device and make sure that small signal components returning to the AGND pin and do not share the high current path of C_{IN} and C_{OUT} .

The feedback voltage sense line (V_{FB}) should be connected right to the output capacitor and routed away from noisy components and traces (e.g.: SW line). Its trace should be minimized and shielded by a guard-ring connected to the ground.

Figure 6. PCB layout suggestion - top

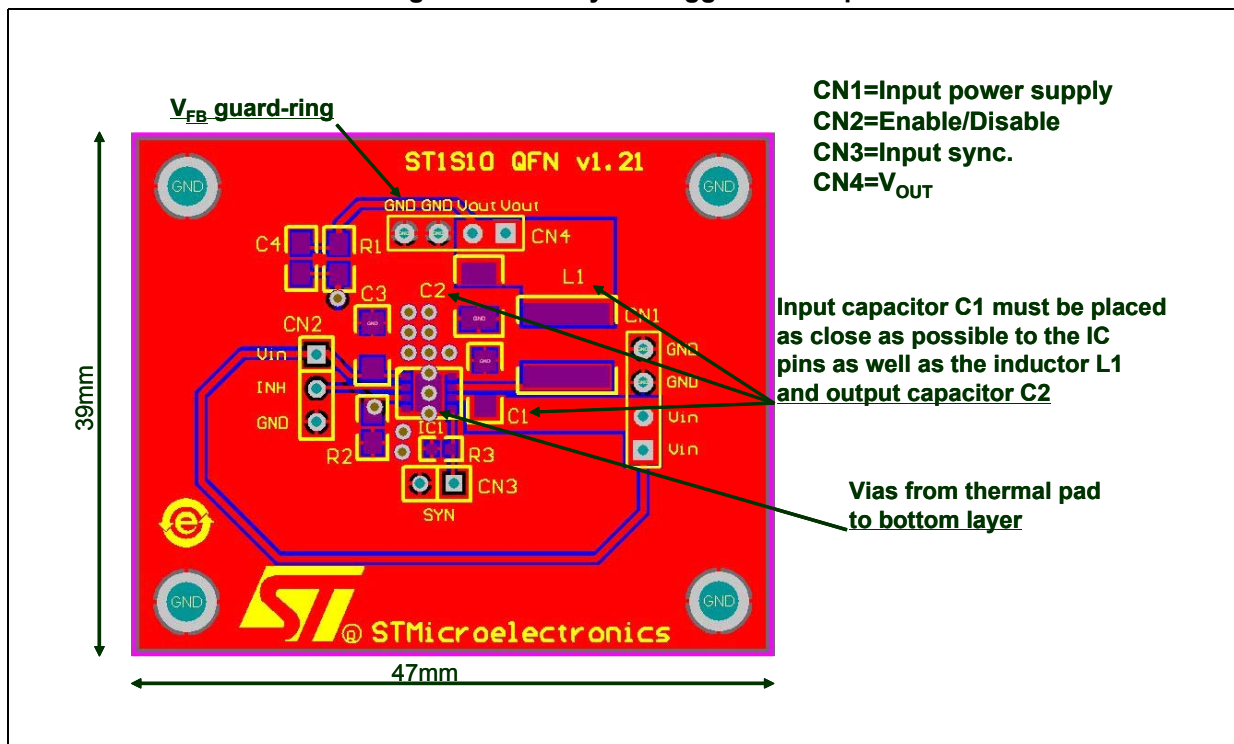
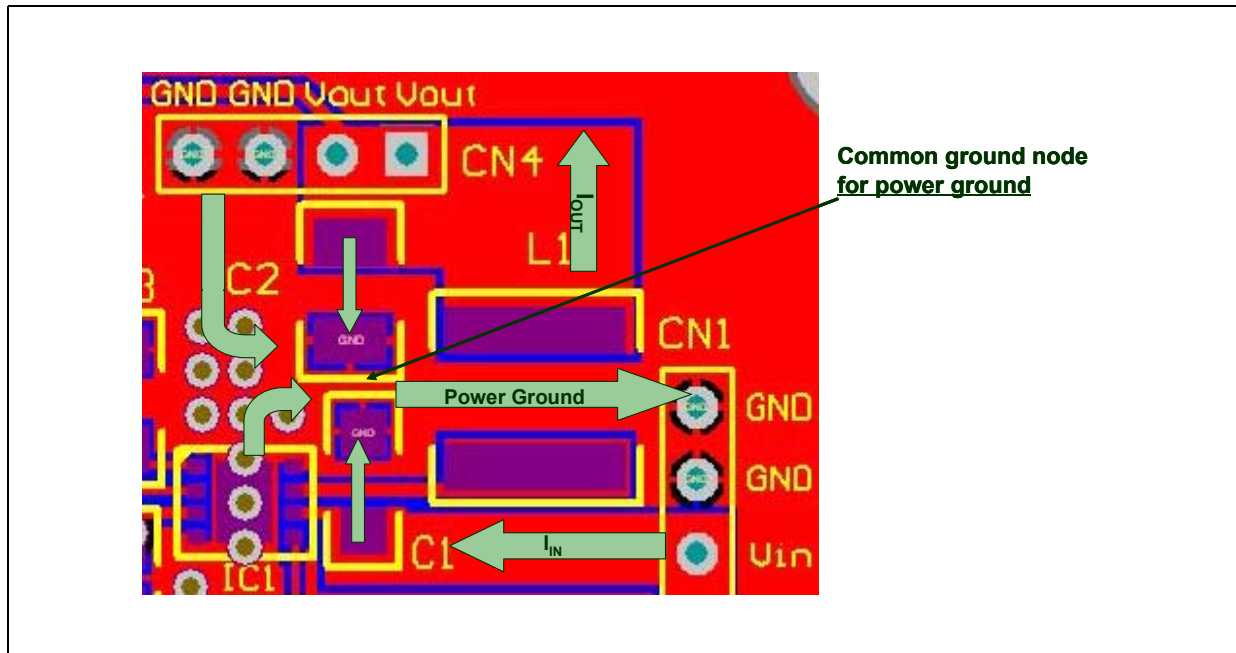


Figure 7. PCB layout suggestion - bottom

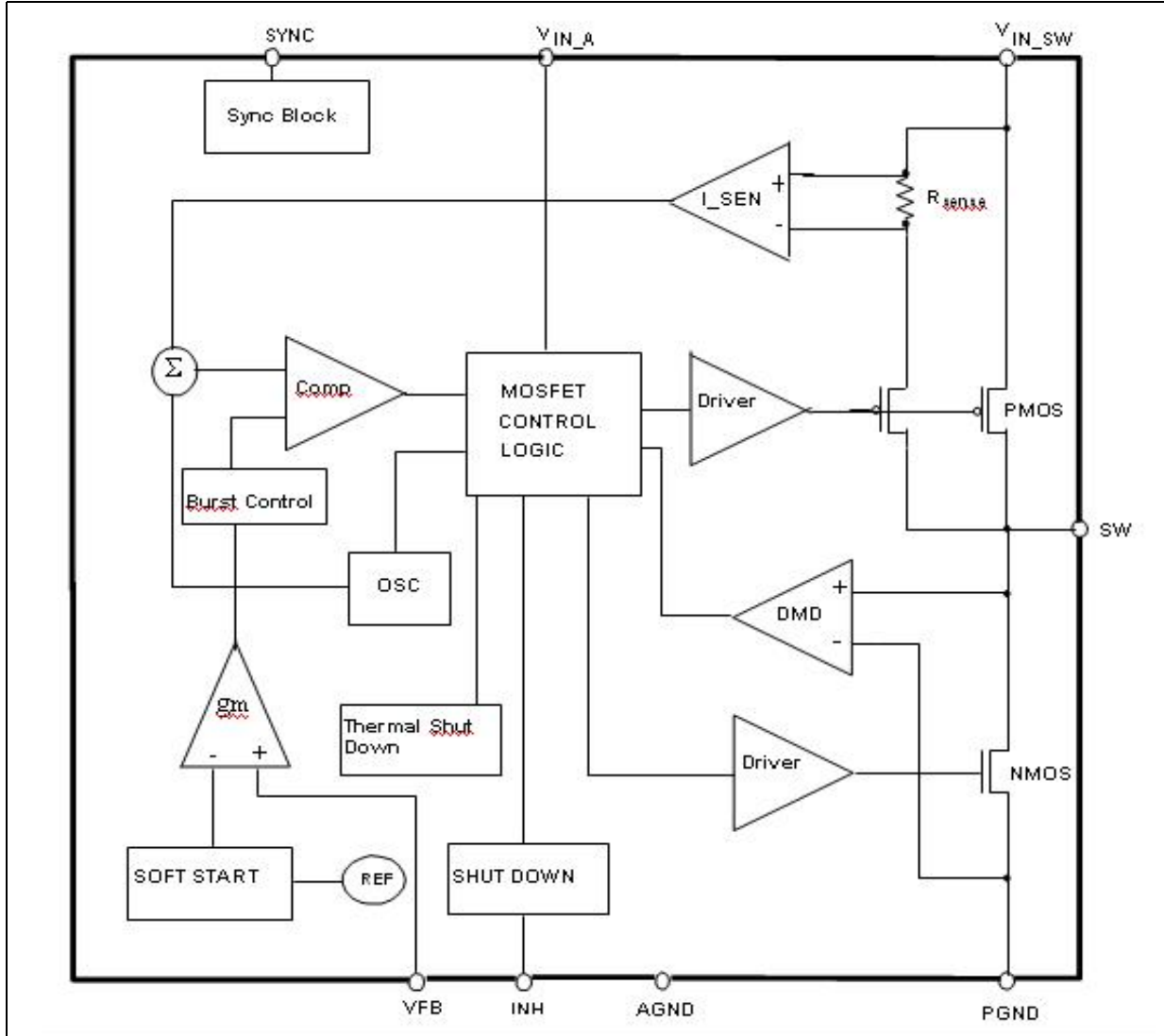


Thermal considerations

The lead frame die pad, of the ST1S10, is exposed at the bottom of the package and must be soldered directly to a properly designed thermal pad on the PCB, the addition of thermal vias from the thermal pad to an internal ground plane will help increase power dissipation.

7 Diagram

Figure 8. Block diagram



8 Typical performance characteristics

Unless otherwise specified, refer to the typical application circuit under the following conditions: $T_J = 25\text{ }^\circ\text{C}$, $V_{IN} = V_{IN-SW} = V_{IN-A} = V_{INH} = 12\text{ V}$, $V_{SYNC} = \text{GND}$, $V_{OUT} = 5\text{ V}$, $I_{OUT} = 10\text{ mA}$, $C_{IN} = 4.7\text{ }\mu\text{F} + 0.1\text{ }\mu\text{F}$, $C_{OUT} = 22\text{ }\mu\text{F}$, $L1 = 3.3\text{ }\mu\text{H}$.

Figure 9. Voltage feedback vs. temperature

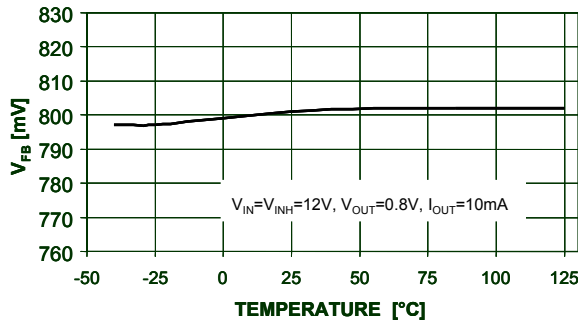


Figure 10. Oscillator frequency vs. temperature

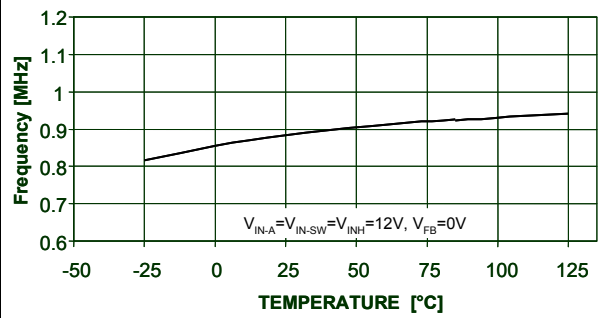


Figure 11. Max. duty cycle vs. temperature

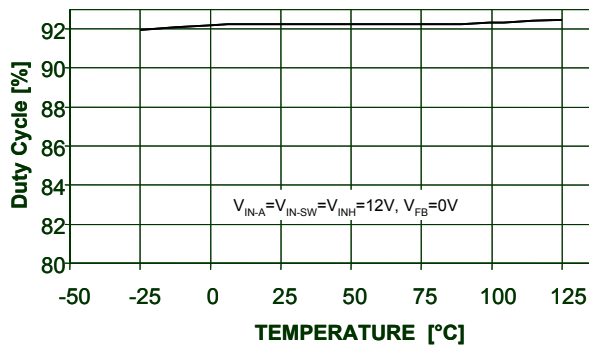


Figure 12. Inhibit threshold vs. temperature

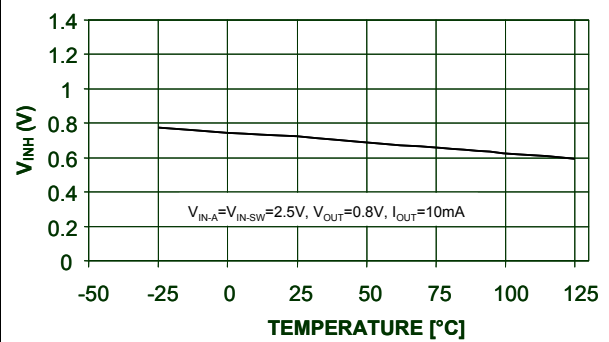


Figure 13. Reference line regulation vs. temperature

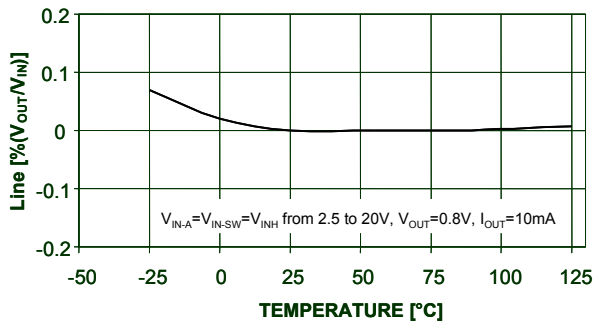


Figure 14. Reference load regulation vs. temperature

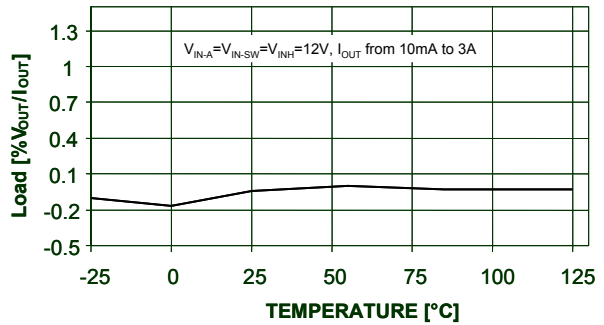


Figure 15. ON mode quiescent current vs. temperature

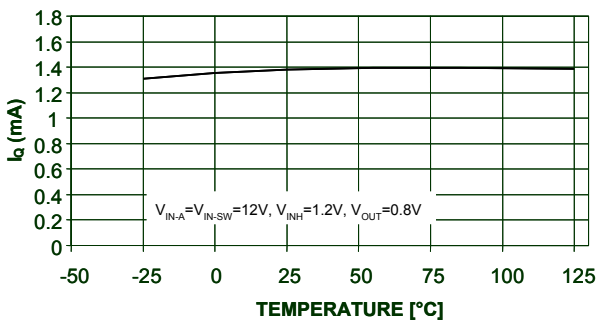


Figure 16. Shutdown mode quiescent current vs. temperature

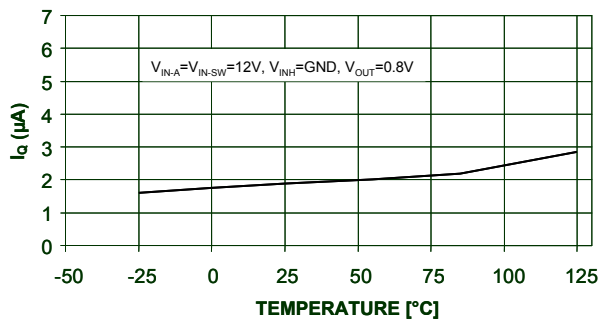


Figure 17. PMOS ON resistance vs. temperature

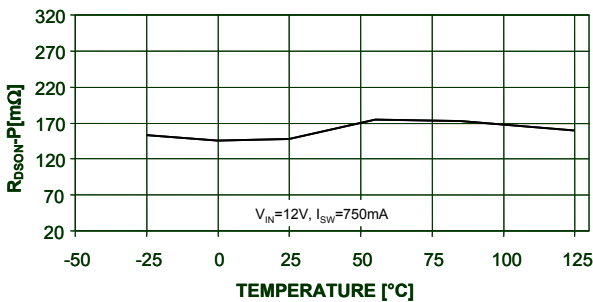
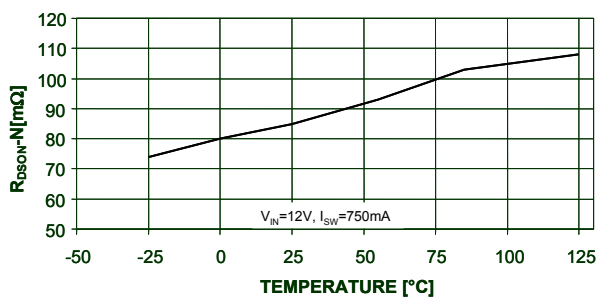
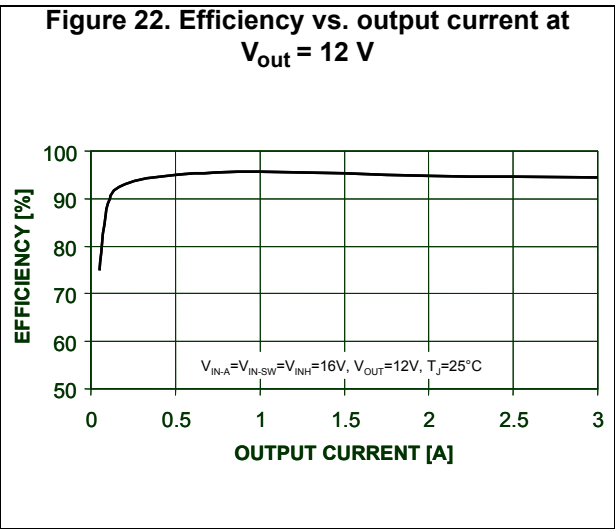
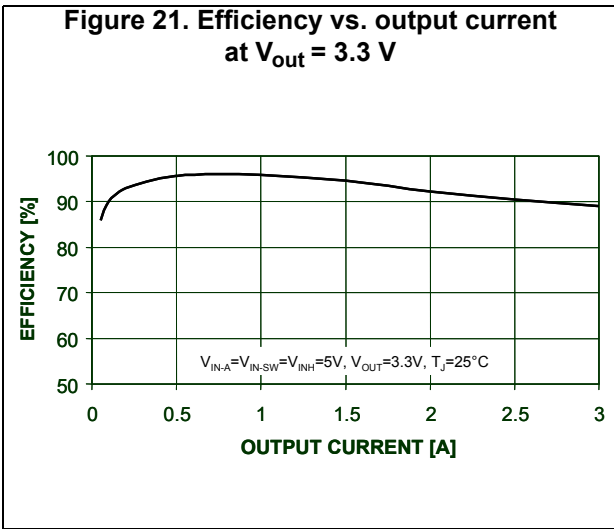
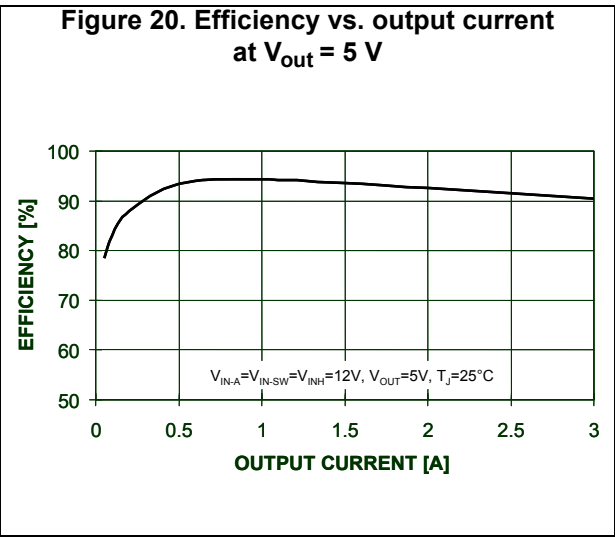
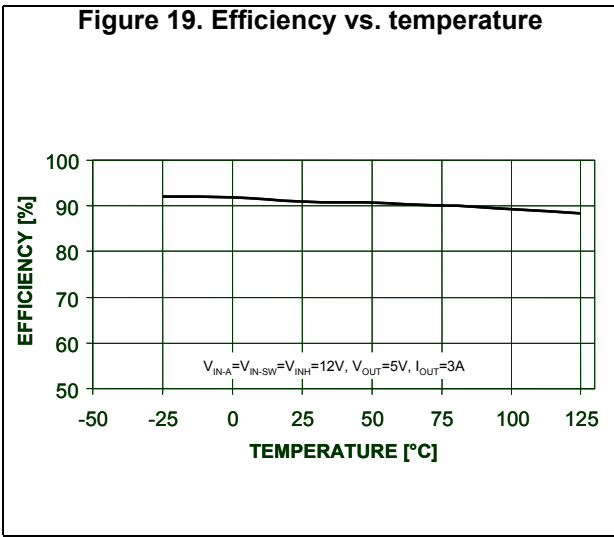


Figure 18. NMOS ON resistance vs. temperature





9 Package information

In order to meet environmental requirements, ST offers these devices in different grades of ECOPACK[®] packages, depending on their level of environmental compliance. ECOPACK[®] specifications, grade definitions and product status are available at: www.st.com. ECOPACK[®] is an ST trademark.

9.1 Power SO-8 package information

Figure 23. Power SO-8 (exposed pad) package outline

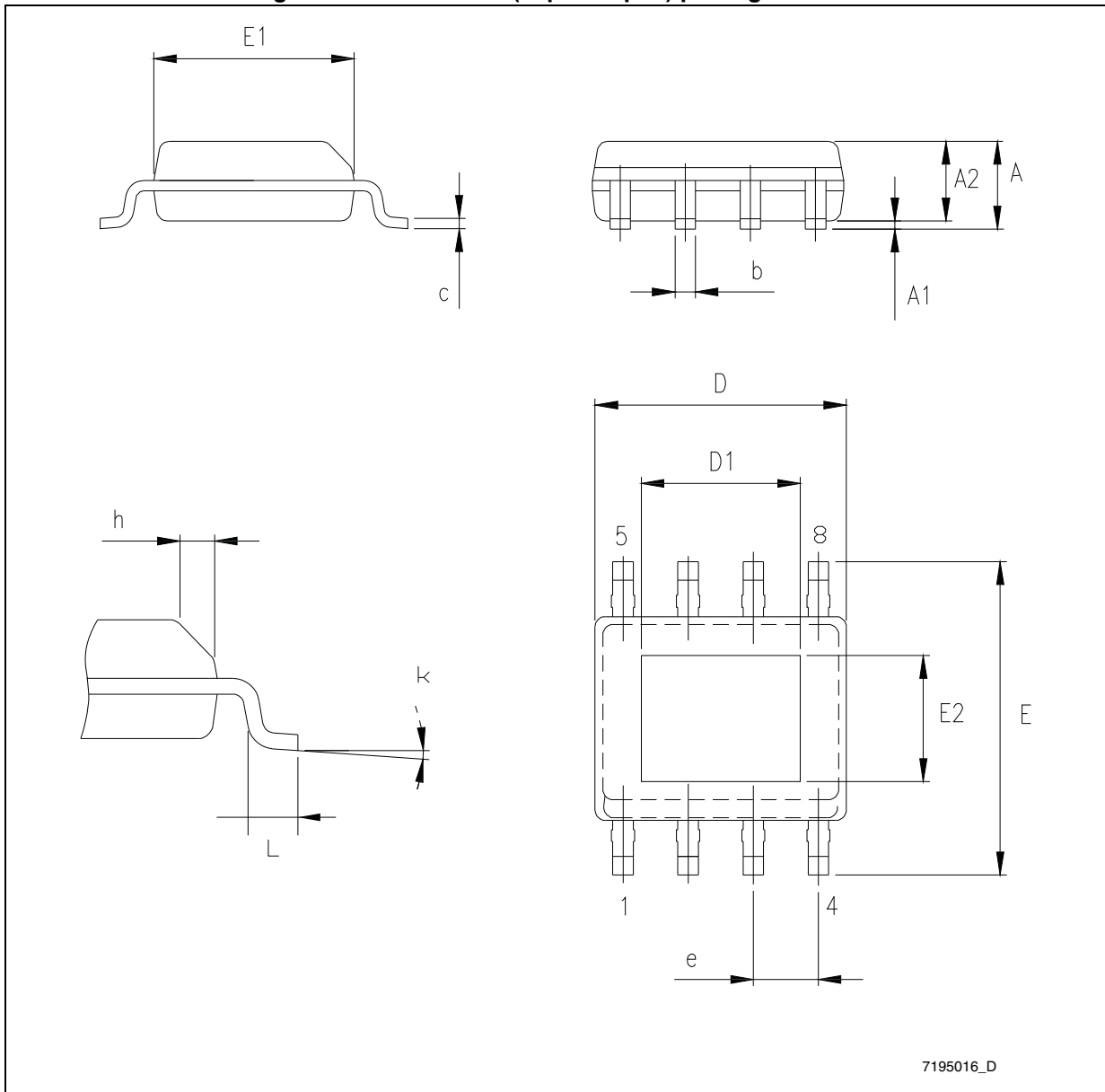


Table 7. Power SO-8 (exposed pad) package mechanical data

Symbol	Dimensions (mm)		
	Min.	Typ.	Max.
A			1.70
A1	0.00		0.15
A2	1.25		
b	0.31		0.51
c	0.17		0.25
D	4.80	4.90	5.00
D1	ACCORDING TO PAD SIZE		
E	5.80	6.00	6.20
E1	3.80	3.90	4.00
E2	ACCORDING TO PAD SIZE		
e		1.27	
h	0.25		0.50
L	0.40		1.27
K	0		8
ccc			0.10

Note: Dimension "D" does not include mold flash, protrusions or gate burrs. Mold flash, protrusions or gate burrs shall not exceed 0.15mm in total (both side).

Dimension "E1" does not include interlead flash or protrusions.

Interlead flash or protrusions shall not exceed 0.25mm per side.

The size of exposed pad is variable depending of leadframe design pad size.

End user should verify "D1" and "E2" dimensions for each device application.

Figure 24. Power SO-8 (exposed pad) recommended footprint

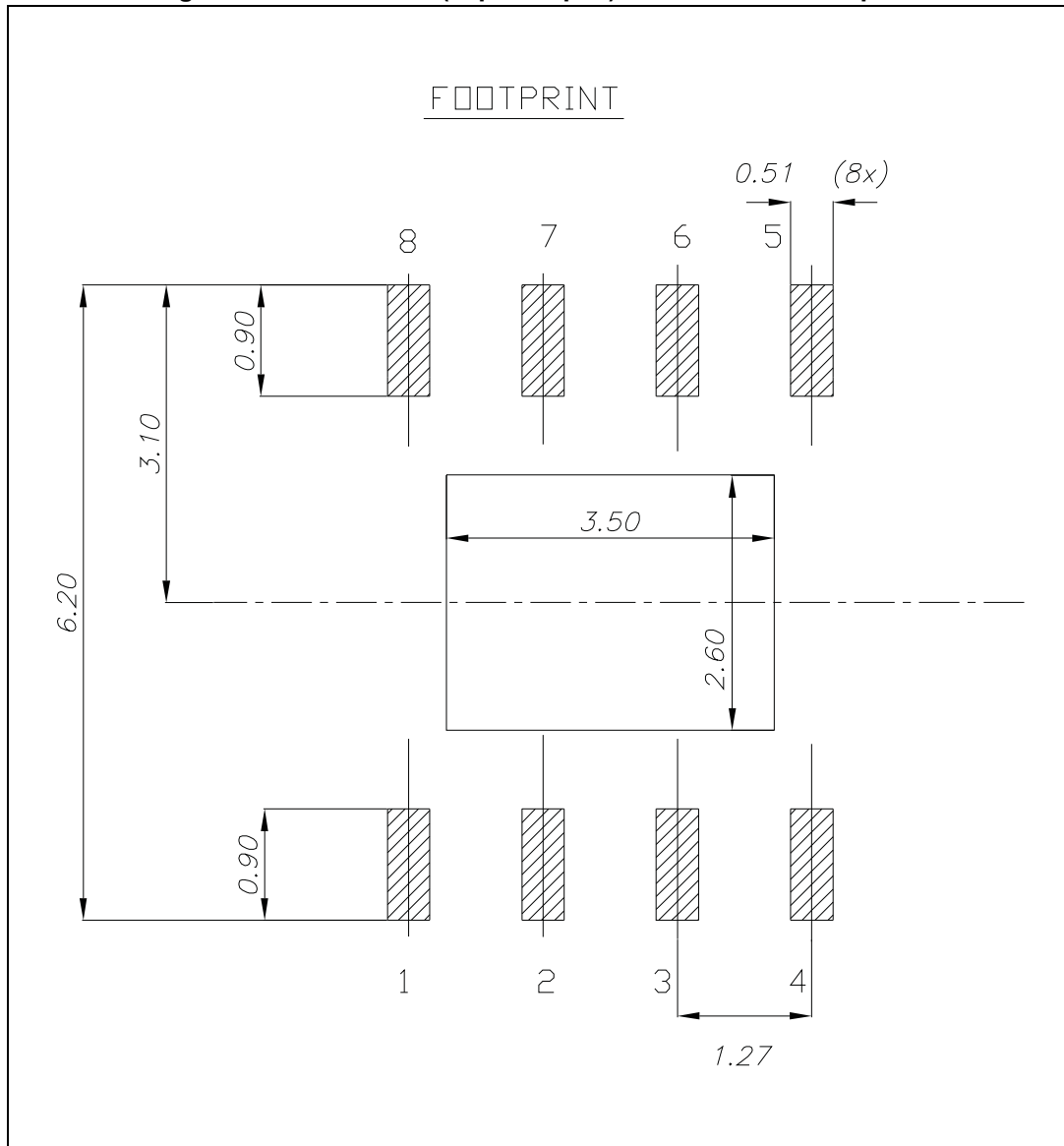


Figure 25. Power SO-8 (exposed pad) tape and reel dimensions

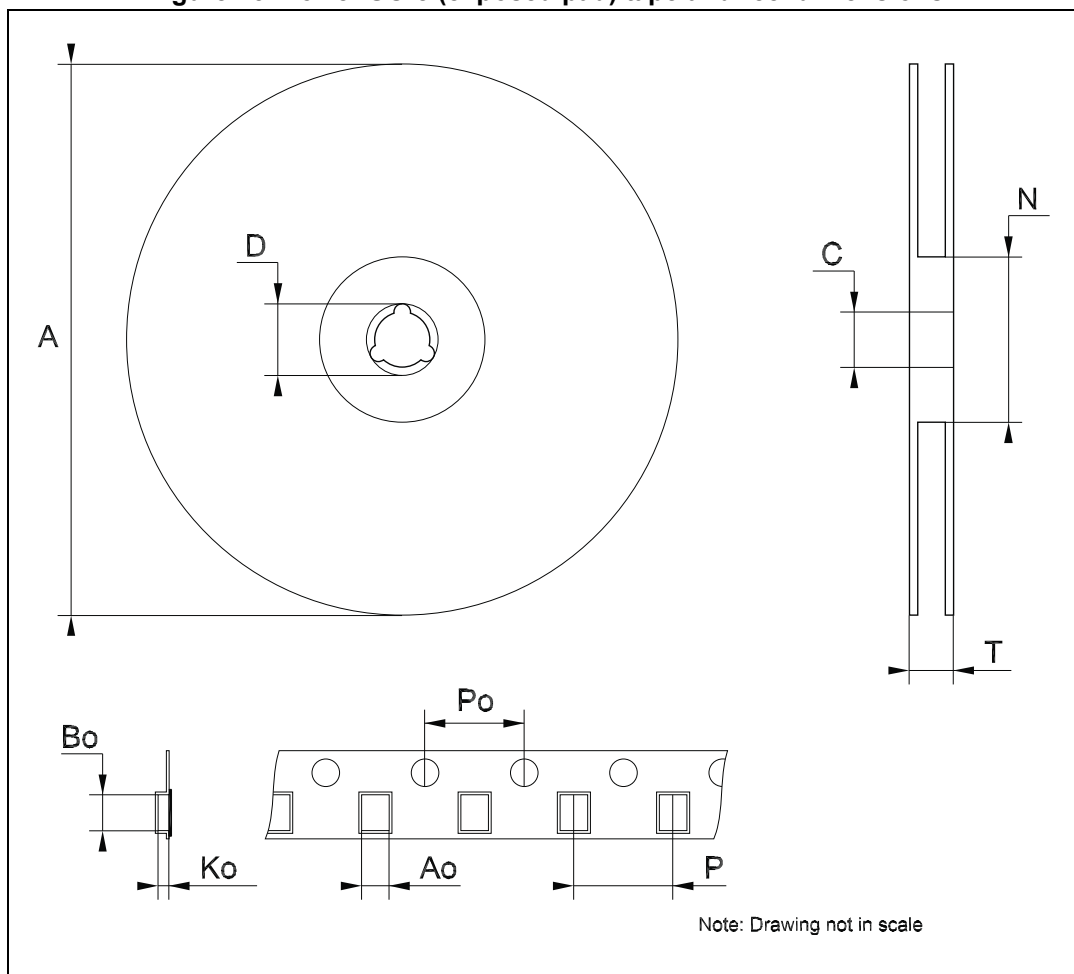


Table 8. Power SO-8 (exposed pad) tape and reel mechanical data

Symbol	Dimensions (mm)		
	Min.	Typ.	Max.
A			330
C	12.8		13.2
D	20.2		
N	60		
T			22.4
Ao	8.1		8.5
Bo	5.5		5.9
Ko	2.1		2.3
Po	3.9		4.1
P	7.9		8.1

9.2 DFN8 (4 x 4) package information

Figure 26. DFN8 (4 x 4) package outline

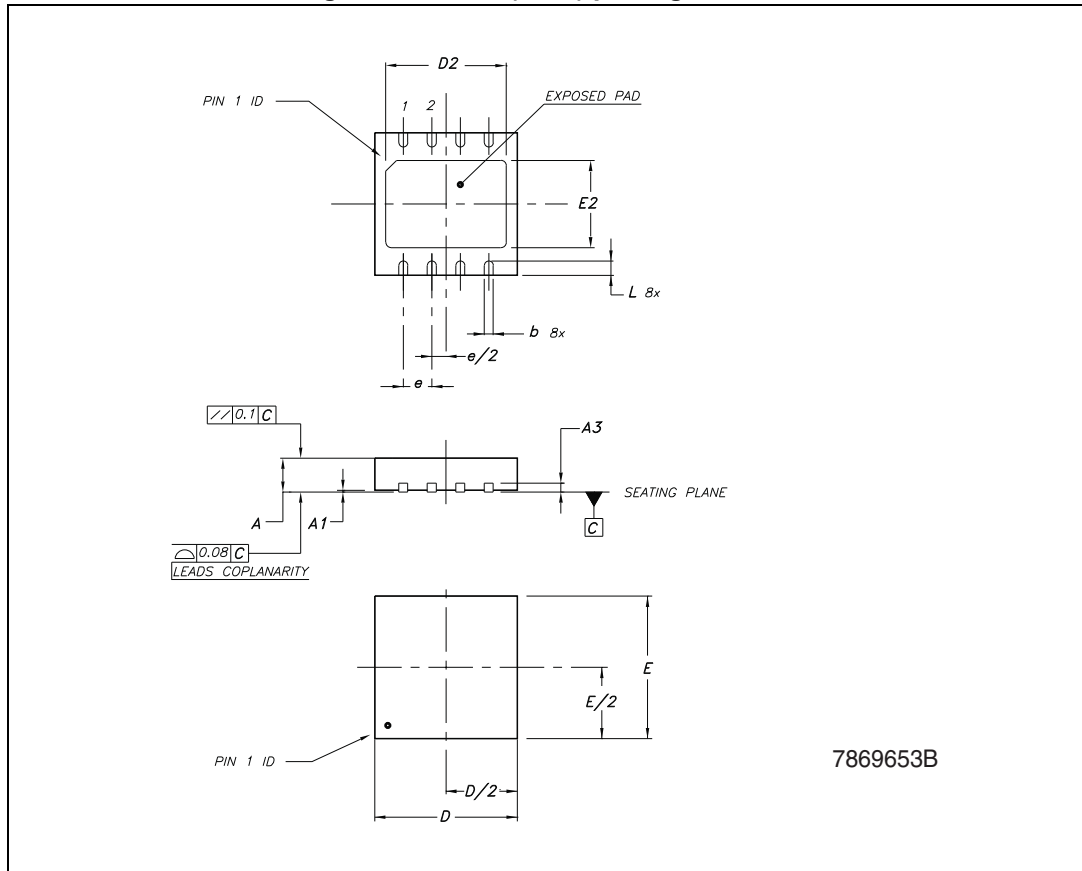


Table 9. DFN8 (4 x 4) package mechanical data

Symbol	Dimensions (mm)		
	Min.	Typ.	Max.
A	0.80	0.90	1.00
A1	0	0.02	0.05
A3		0.20	
b	0.23	0.30	0.38
D	3.90	4.00	4.10
D2	2.82	3.00	3.23
E	3.90	4.00	4.10
E2	2.05	2.20	2.30
e		0.80	
L	0.40	0.50	0.60

Figure 27. DFN8 (4 x 4) tape and reel dimensions

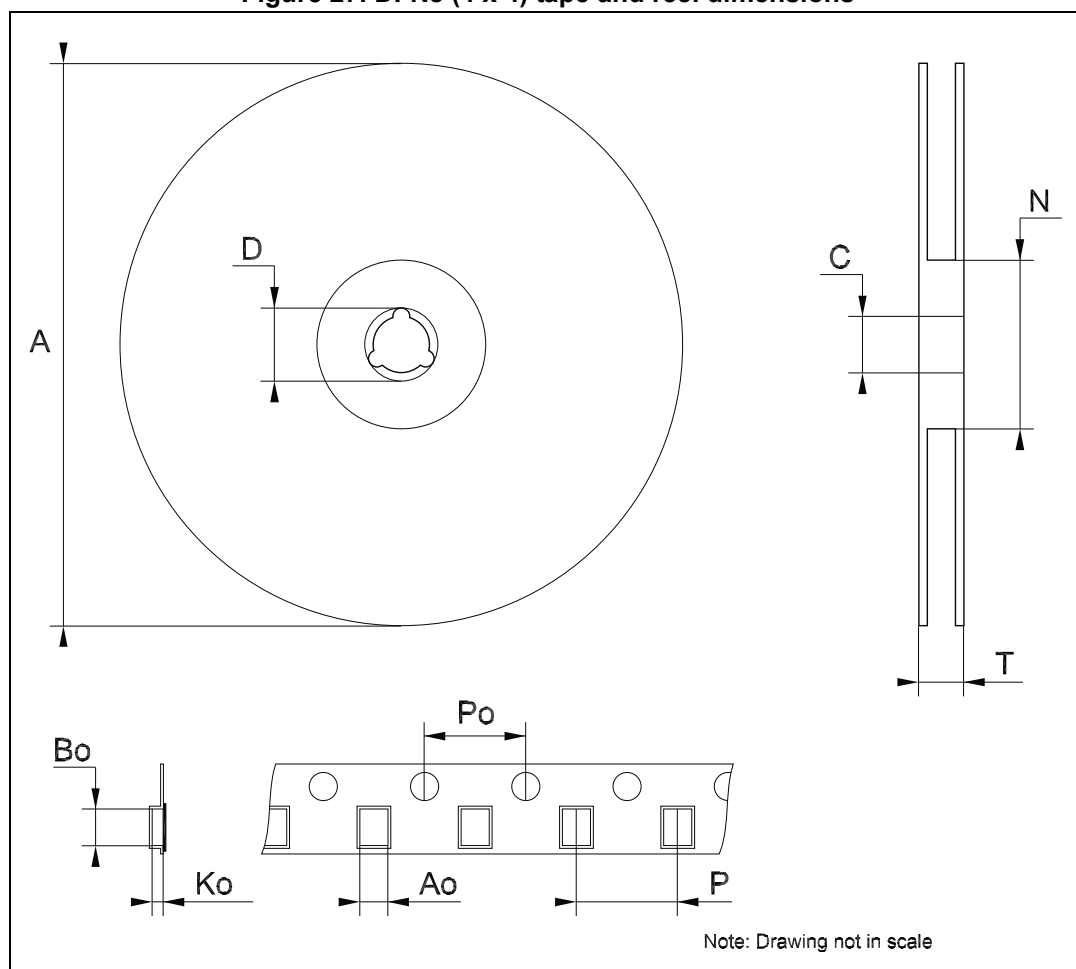


Table 10. DFN8 (4 x 4) tape and reel mechanical data

Symbol	Dimensions (mm)		
	Min.	Typ.	Max.
A			330
C	12.8		13.2
D	20.2		
N	99		101
T			14.4
Ao		4.35	
Bo		4.35	
Ko		1.1	
Po		4	
P		8	

10 Revision history

Table 11. Document revision history

Date	Revision	Changes
28-Aug-2007	1	Initial release.
24-Sep-2007	2	Add R_{thJC} on Table 4 .
25-Oct-2007	3	Added new paragraph 6: Layout considerations .
16-Mar-2010	4	Updated PowerSO-8 package mechanical data.
31-May-2012	5	Updated SO-8 (epad) and DFN8 (4x4) mechanical data. Changed temperature min from 25 °C to 40 °C in Table 4 , and in Section 4 .
27-Mar-2015	6	Added Table 5: ESD protection on page 8 . Added and updated cross-references throughout document. Updated titles of Figure 6 on page 17 and Figure 7 on page 18 . Updated Section 9: Package information on page 23 (updated/added titles, headers, reformatted section). Minor modifications throughout document.

IMPORTANT NOTICE – PLEASE READ CAREFULLY

STMicroelectronics NV and its subsidiaries ("ST") reserve the right to make changes, corrections, enhancements, modifications, and improvements to ST products and/or to this document at any time without notice. Purchasers should obtain the latest relevant information on ST products before placing orders. ST products are sold pursuant to ST's terms and conditions of sale in place at the time of order acknowledgement.

Purchasers are solely responsible for the choice, selection, and use of ST products and ST assumes no liability for application assistance or the design of Purchasers' products.

No license, express or implied, to any intellectual property right is granted by ST herein.

Resale of ST products with provisions different from the information set forth herein shall void any warranty granted by ST for such product.

ST and the ST logo are trademarks of ST. All other product or service names are the property of their respective owners.

Information in this document supersedes and replaces information previously supplied in any prior versions of this document.

© 2015 STMicroelectronics – All rights reserved

Mouser Electronics

Authorized Distributor

Click to View Pricing, Inventory, Delivery & Lifecycle Information:

[STMicroelectronics:](#)

[ST1S10PHR](#) [ST1S10PUR](#) [ST1S10BPHR](#)