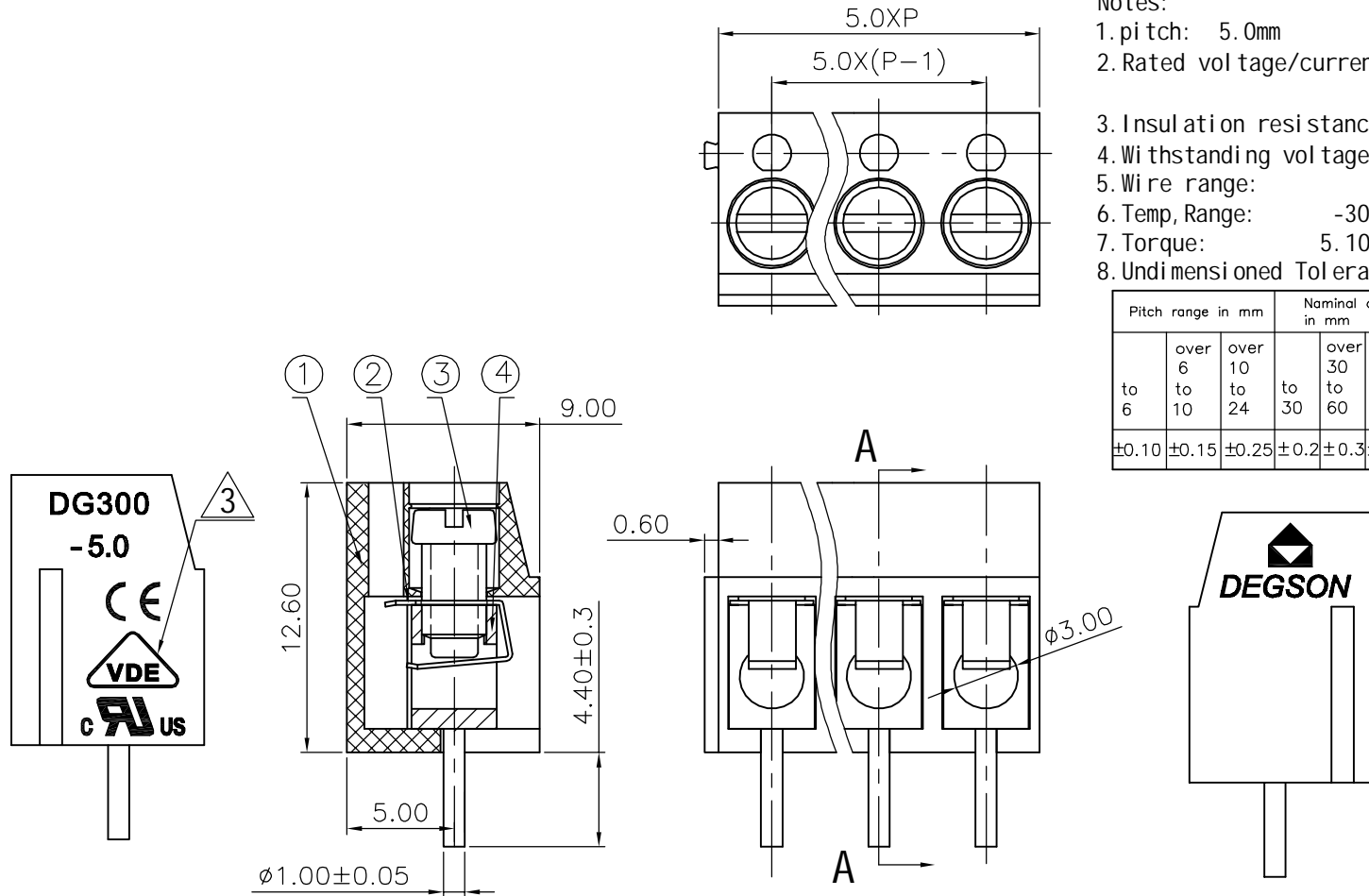


REVISION RECORD				
REV	ECO	DESCRIPTION	DRFT	DATE
△		Drawing Revise	Haoyh	03/14/06
△		增加VDE、CE标志	LJH	12/24/07

Notes:

1. pitch: 5.0mm
2. Rated voltage/current: UL 300V/10A  
VDE 250V/24A
3. Insulation resistance: 5000MΩ/1000V
4. Withstanding voltage: AC2000V/1Min
5. Wire range: 22-14AWG 2.5mm<sup>2</sup>
6. Temp. Range: -30° C~+120° C
7. Torque: 5. 10kgf.cm
8. Undimensioned Tolerances:

Pitch range in mm		Nominal dimension range in mm						
to 6	over 6 to 10	over 10 to 24	to 30	over 30 to 60	over 60 to 100	over 100 to 150	over 150	∩ ∇
±0.10	±0.15	±0.25	±0.2	±0.3	±0.5	±0.7	±1.0	0.05/10



SECTION A-A

4	DG300(A) Pin header	4001B00010(H)	XX	Brass	SnCe
3	DG300 Screws	S000001380(H)	XX	Steel	Cr <sup>3+</sup> Zn
2	DG300 Spring	X000000230(H)	XX	Stainless steel	

ITEM	NAME OF PART	NO. OF PART	Q'TY	MATERIAL	NOTES																								
1	DG300-5.0-Housing	4007A0YXXA(H)	1	PBT	UL94V-0																								
<table border="1"> <tr> <td>MM (INCH)</td> <td>DFTO huangwei</td> <td>DATE 01/27/05*</td> </tr> <tr> <td>TOLERANCES EXCEPT AS NOTED</td> <td>CHKD</td> <td>DATE</td> </tr> <tr> <td></td> <td>MFO</td> <td>DATE</td> </tr> <tr> <td></td> <td>APPVL</td> <td>DATE</td> </tr> <tr> <td></td> <td>MATERIAL :</td> <td></td> </tr> <tr> <td></td> <td>G.E :</td> <td></td> </tr> <tr> <td></td> <td>FINISH :</td> <td></td> </tr> <tr> <td></td> <td>SCALE : 1:1</td> <td></td> </tr> </table>		MM (INCH)	DFTO huangwei	DATE 01/27/05*	TOLERANCES EXCEPT AS NOTED	CHKD	DATE		MFO	DATE		APPVL	DATE		MATERIAL :			G.E :			FINISH :			SCALE : 1:1		<p>DEGSON® 宁波高正电子有限公司 DEGSON ELECTRONICS CO., LTD</p> <p>NAME DG300-5.0-XXP-1Y-00A(H)</p> <p>DRAWING NO. DG300-5.0-E02      SIZE A3      REV T3 12/24/07*</p> <p>/PART NO.</p> <p>DO NOT SCALE DRAWING      SHEET 1 OF 1</p>			
MM (INCH)	DFTO huangwei	DATE 01/27/05*																											
TOLERANCES EXCEPT AS NOTED	CHKD	DATE																											
	MFO	DATE																											
	APPVL	DATE																											
	MATERIAL :																												
	G.E :																												
	FINISH :																												
	SCALE : 1:1																												