

Product Specification

BRAND	
PRODUCT	3.0V LITHIUM-MANGANESE BUTTON CELL
MODEL	CR2477
PREPARED BY	CHEN CAI MING
APPROVED BY	XIE YU XING
DATE	JAN.18,2011

1. [SCOPE]

This specification applies to the following 3.0v lithium button cell CR2477 made by CHEAPE TECHNOLOGY INTERNATIONAL LTD

2.[Main technical parameters]

TABLE I:

ITEM	UNIT	SPECIFICATIONS	CONDITIONS
Nominal voltage	V	3.0	Standard discharge
Nominal capacity	mAh	1050	Standard discharge
Instantaneous short-circuit current	mA	≥ 400	Time ≤ 0.5 second
Off-load voltage	V	3.25-3.60	Unit cell
Storage temperature	$^{\circ}\text{C}$	0-40	Unit cell
Standard weight	g	about 8.50	Only apply to this style cell
Service output	Initial	h	Continuous discharge with load 3.0k Ω , till 2.0v end-voltage at $20 \pm 2^{\circ}\text{C}$.
	After 12 months storage	h	

TABLE II:

ITEM	CONDITIONS	CHARACTERISTICS
Self-discharge rate	Stored for 12 months at normal temperature, then continuously discharged with 15k Ω load till 2.0v end-voltage	Less than $\leq 2\%$

3.[PERFORMANCE AND TEST METHODS]

Unless otherwise stated, all the testing is carried out under the condition: environmental temperature, 20°C - 25°C ; environmental humidity, $65 \pm 20\%$.

4.[SUGGESTIONS AND CAUTIONS]

4.1 Install batteries correctly

4.2 Ensure the contact points to be clean and conductive

4.3 Do not mix different types,different brands batteries to serve together

4.4 Do not heat,recharge the batteries

4.5 Do not dispose of the batteries in fire

4.6 Keep away form the small children,if swallow promptly see dJANor

4.7 Pay attention to the producing date

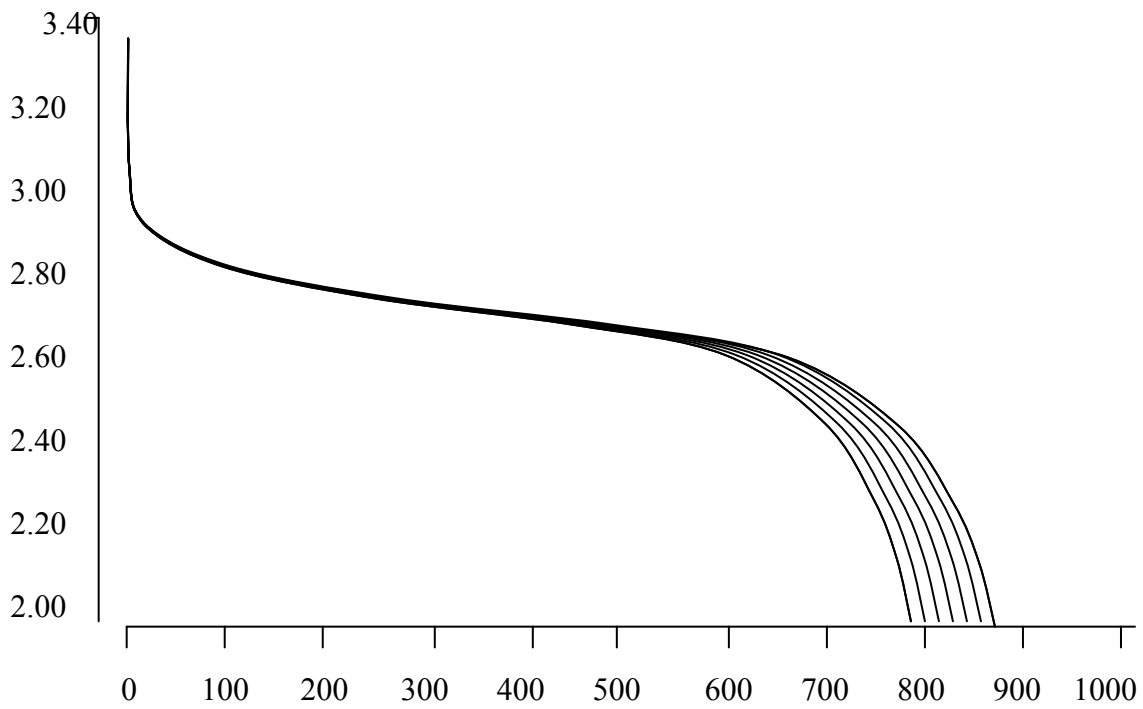
TABLE III:

NO	ITEM	TEST METHODS	STANDARED	
1	Dimensions	Using vernier caliper(accuracy ≥ 0.02) while avoiding short-circuit	Diameter	24.50(-0.15)mm
			Height	7.70(-0.20)mm
2	Off-load voltage	Using multimeter(accuracy $\geq 0.25\%$)internal resistance $\geq 1M\Omega$	3.25-3.60V	
3	Instantaneous Short-circuit current	Time of short-circuit should be less than 0.5 Sencond and avoid repeated test within half An hour	$\geq 400mA$	
4	Appearance	Eyeballing	Bright ,clen,no rust,no leakage,And no flaw	
5	Capacity	Continuously discharge for 8 hour with load $3.0k\Omega$,temperature at $20-25^{\circ}C$,humidity at $65 \pm 20\%$ till 2.0v end-voltage(for fresh battery only:within 3 months)	$\geq 792h$	
6	Vibration test	Put battery on the platform of the vibrations Machine,start the machine and adjust the Frequency form 100times per minute to 150 Times per minute.keep it running for an hour	Characteristics keep stability	
7	Leakage at high temperature	Stored under temperature($45^{\circ}C$)for 30 days	Leakage rate $\leq 0.1\%$	
8	Over Discharge Test	After 2.0v end-voltage, continuously discharged for 5 hours	No leakage allowed	

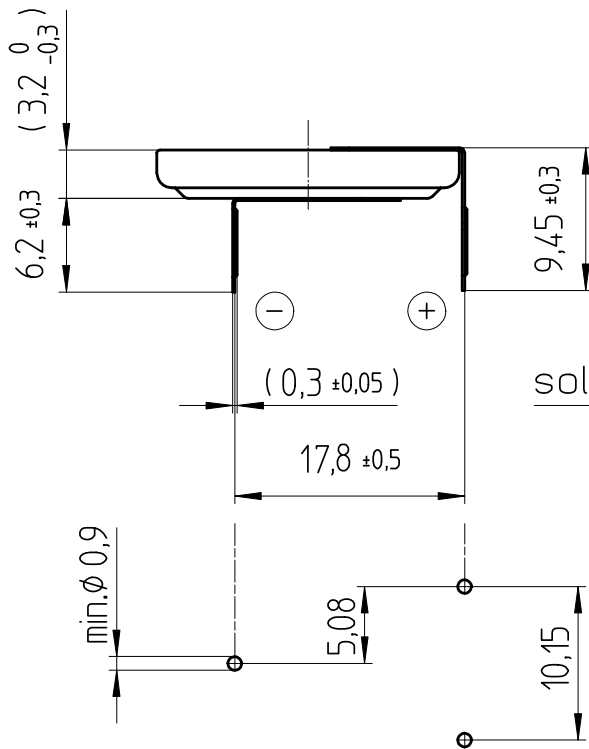
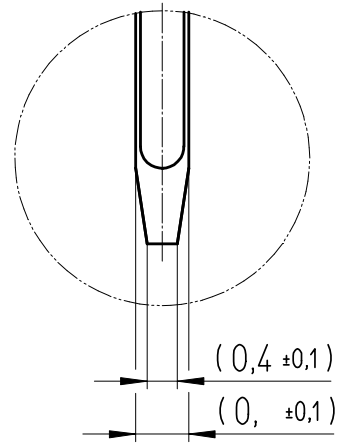
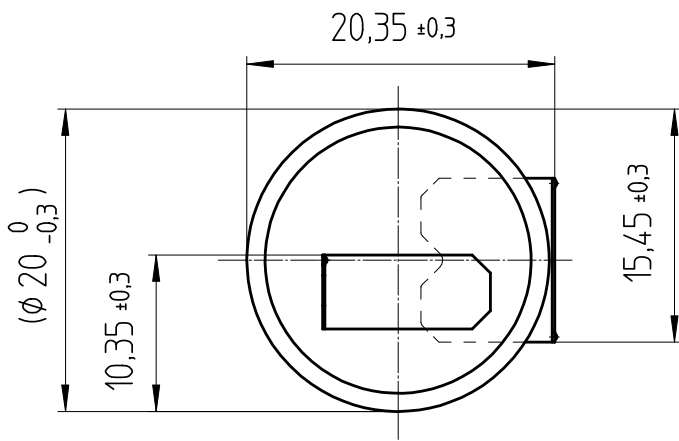
5. [DISCHARGE CHARACTERISTICS]

With load $3.0\text{k}\Omega$ { CR2477 (LC) }

Voltage (V)

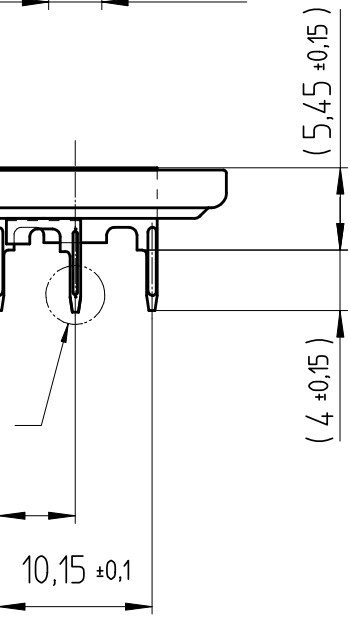


Time (h)



solder plated

$5,08 \pm 0,3$



Layout
top view