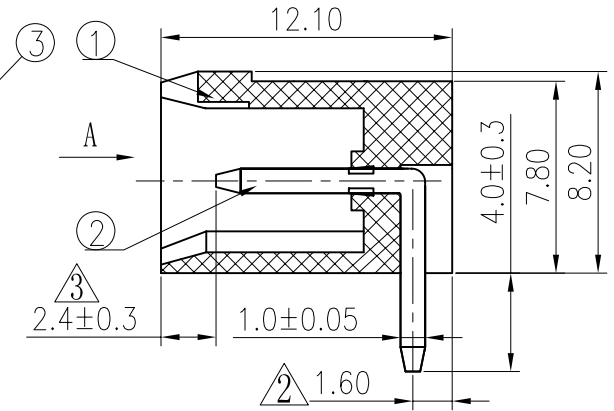
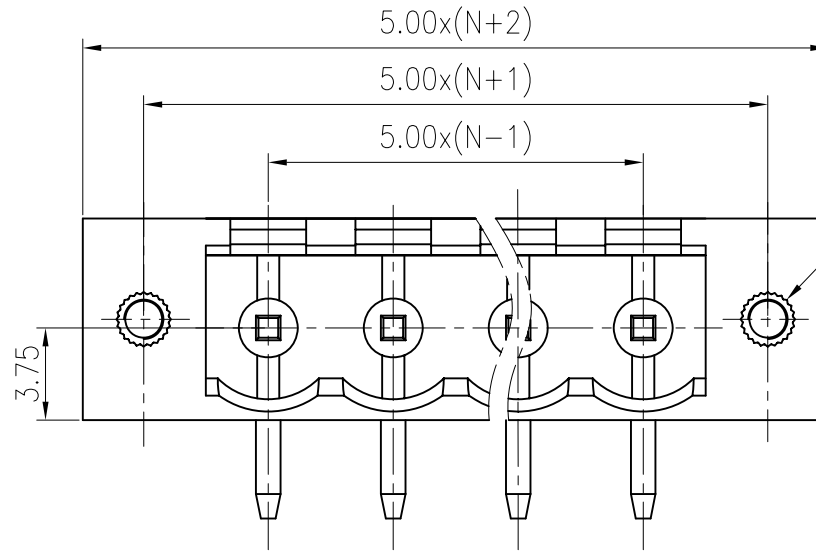
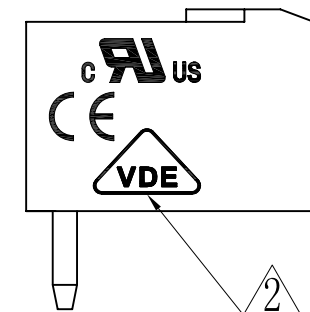
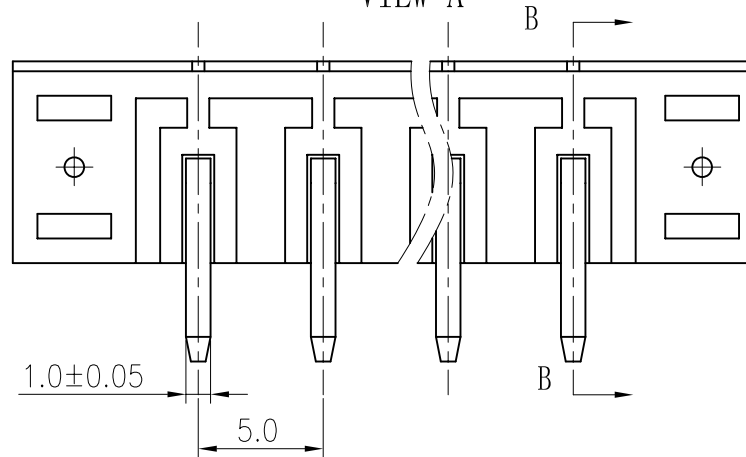
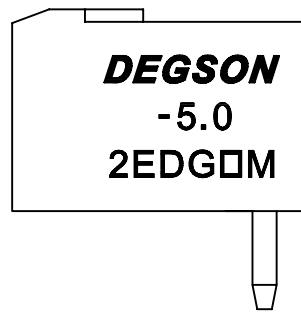


REVISION RECORD					
REV	ECO	DESCRIPTION	DRFT	DATE	
⚠		Drawing emend	CSX	04/04/06*	
⚠		更新图面	LJH	04/16/08*	
⚠	10-0329	增加标注尺寸	COCO	10/07/10*	



VIEW A

SECTION B-B



Notes:

1. Pitch: 5.0mm, Poles: 2-22P
2. Rated voltage/current: UL 300V/15A
VDE 320V/20A
3. Operation temperatures: -40°C ~ +105°C
4. Withstanding Voltage: AC2000V/1min
5. Insulation Resistance: 5000MΩ/DC1000V
6. Undimensioned Tolerances:

Pitch range in mm			Nominal dimension range in mm					
	over 6	over 10	over 30	over 60	over 100	over 150		
to 6	to 10	to 24	to 30	to 60	to 100	to 150	∩	
±0.10	±0.15	±0.25	±0.2	±0.3	±0.5	±0.7	±1.0	
							0.05/10	

3	2EDG-Screw cap	S000000040 (H)	2	Brass	
2	2EDGR(A)-Pin header (1*8.25*8.7)	1008B00040 (H)	XX	Brass	SnCe

ITEM	NAME OF PART	NO. OF PART	Q'TY	MATERIAL	NOTES												
1	2EDGRM-5.0-Housing	1021A0YXXA (H)	1	PA66	UL94V-0												
<table border="1"> <tr> <td>← MM (INCH) →</td> <td>DFTD Haoyh</td> <td>DATE 10/17/'05</td> </tr> <tr> <td>TOLERANCES EXCEPT AS NOTED</td> <td>CHKD</td> <td>DATE</td> </tr> <tr> <td></td> <td>MFO</td> <td>DATE</td> </tr> <tr> <td></td> <td>APPVL</td> <td>DATE</td> </tr> </table>		← MM (INCH) →	DFTD Haoyh	DATE 10/17/'05	TOLERANCES EXCEPT AS NOTED	CHKD	DATE		MFO	DATE		APPVL	DATE	宁波高正电子有限公司 DEGSON ELECTRONICS CO., LTD			
← MM (INCH) →	DFTD Haoyh	DATE 10/17/'05															
TOLERANCES EXCEPT AS NOTED	CHKD	DATE															
	MFO	DATE															
	APPVL	DATE															
<table border="1"> <tr> <td>MM</td> <td>±</td> </tr> <tr> <td>.00 ±</td> <td>±</td> </tr> <tr> <td>.000 ±</td> <td>±</td> </tr> </table>		MM	±	.00 ±	±	.000 ±	±	NAME: 2EDGRM-5.0-XXP-1Y-00A(H)									
MM	±																
.00 ±	±																
.000 ±	±																
ANGLES ± 1'		G.E :															
		FINISH :															
THIRD ANGLE PROJECTION		SCALE : 1:1															
DO NOT SCALE DRAWING				SHEET 1 OF 1													