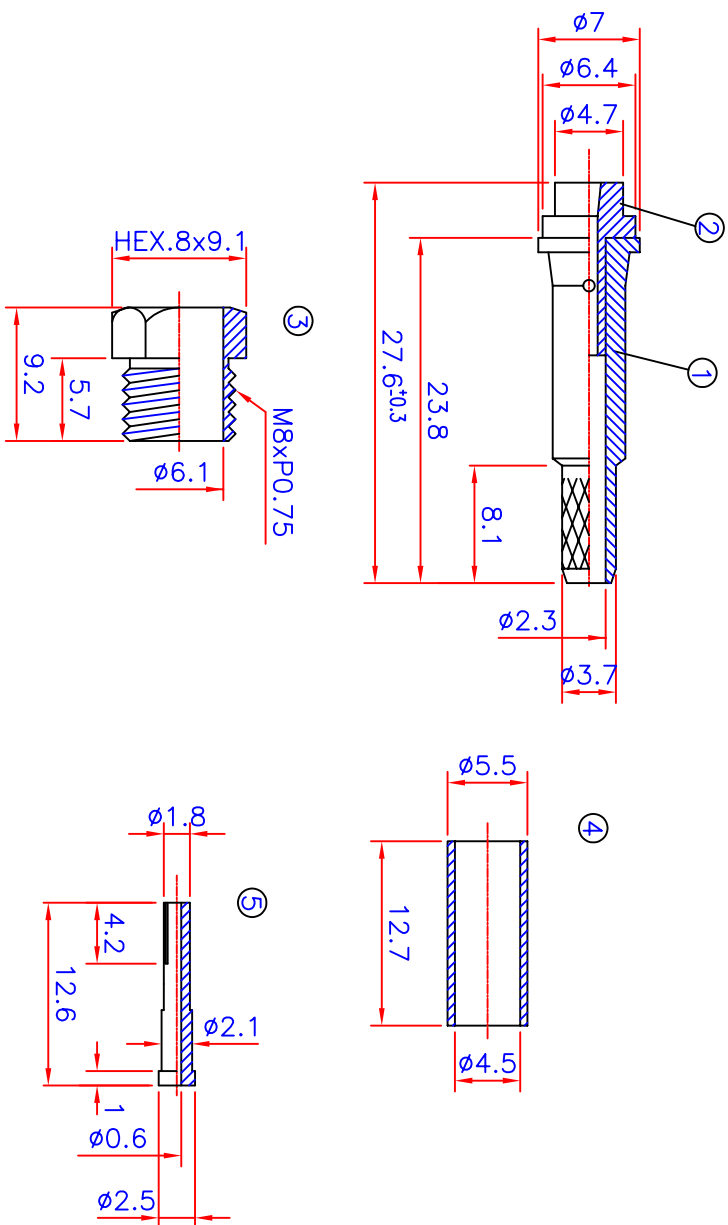



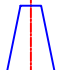
SPECIFICATION

FME FEMALE CONNECTOR
 CRIMP TYPE , RG174, NICKEL PLATED
 FME 母, CRIMP , RG174, 本體: 鍍鎳, PIN : 鍍金
 符合 RoHS 環保規格



FME FEMALE CRIMP

UNLESS OTHERWISE SPECIFIED
 GENERAL TOLERANCES
 0.5~6 = ±0.2
 >6~30 = ±0.4
 >30~120 = ±0.6

5	PIN	1	GOLD					
4	RING	1	BRASS	NICKEL				
3	NUT	1	BRASS	NICKEL				
2	INSULATOR	1	DELTRIN					
1	BODY	1	BRASS	NICKEL				
NO.	DESCRIPTION	QTY	MATERIAL	SPECIFICATION				REMARK
DRAW BY	周煥君	031208	SCALE	1 : 2				
DEGN BY								
APPD BY			UNIT	MM	PROJ			

同利企業有限公司

TELE LONG ENTERPRISE CO.,LTD
 E-mail:rayyang@seed.net.tw

DRAWING NO. TL4601-174-BDNG
 -TNS61-A

DATE	DRAWG BY	REVISED	△
------	----------	---------	---