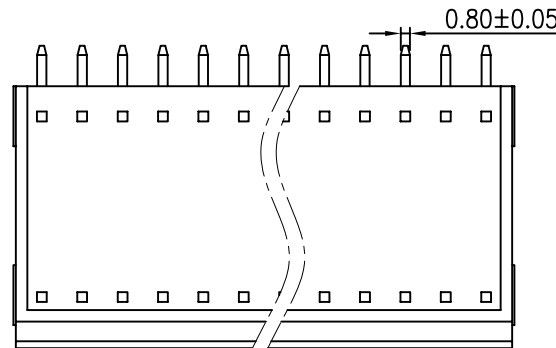
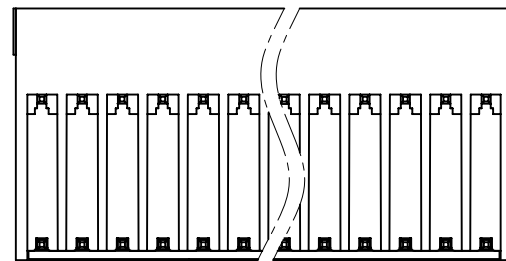
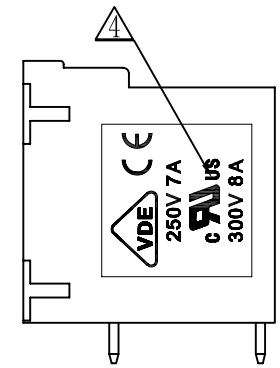
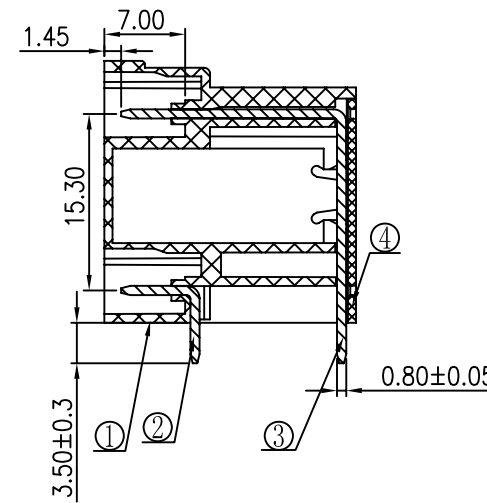
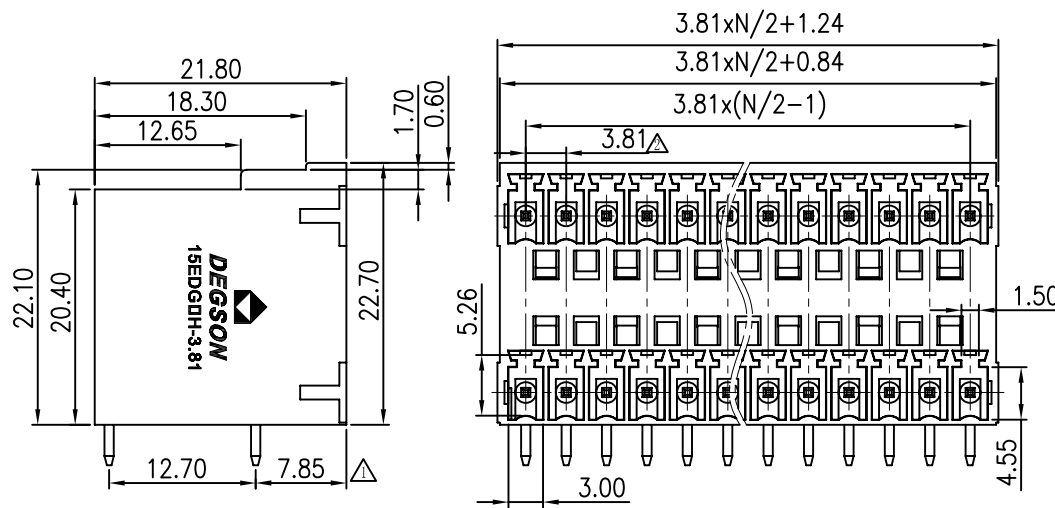


REVISION RECORD					
REV	ECO	DESCRIPTION	DRFT	DATE	
1		增加标注	ExpsAny	04/26/06	
2		图面更新	csx	08/15/06	
3		增加UL, CE刻字	Zengy	09/05/08	
4		增加VDE及参数刻字	LJH	02/10/09	



Notes:

1. Pitch: 3.81mm, Poles: 4-48P
2. Rated voltage/current: UL 300V/8A
VDE 250V/7A
3. Operation temperatures: -40°C ~ +105°C
4. Withstanding Voltage: AC2000V/1min
5. Insulation Resistance: 5000MΩ/DC1000V
6. Undimensioned Tolerances:

Pitch range in mm		Nominal dimension range in mm					
to 6	over 6 to 10	over 10 to 24	over 30 to 60	over 60 to 100	over 100 to 150	over 150	
±0.10	±0.15	±0.25	±0.2	±0.3	±0.5	±0.7	
						±1.0	
						0.05/10	

4	15EDGV/RH-3.81-Cover	1064COYXXA (H)	1	PA66	UL94V-0
3	15EDGRH-Pin	1063B00020 (H)	XX/2	Brass	SnCe
2	15EDGRC-Pin	1003B00010 (H)	XX/2	Brass	SnCe

ITEM	NAME OF PART	NO. OF PART	Q"TY	MATERIAL	NOTES																																																		
1	15EDGV/RH-3.81-Housing	1064AOYXXA (H)	1	PA66	UL94V-0																																																		
<table border="1"> <tr> <td>MM (INCH)</td> <td>DFTO</td> <td>ExpsAny</td> <td>DATE</td> <td>02/21/06</td> </tr> <tr> <td>TOLERANCES EXCEPT AS NOTED</td> <td>CHRD</td> <td></td> <td>DATE</td> <td></td> </tr> <tr> <td></td> <td>MFO</td> <td></td> <td>DATE</td> <td></td> </tr> <tr> <td>MM</td> <td>APPL</td> <td></td> <td>DATE</td> <td></td> </tr> <tr> <td>.0 ±</td> <td></td> <td></td> <td></td> <td></td> </tr> <tr> <td>.00 ±</td> <td></td> <td></td> <td></td> <td></td> </tr> <tr> <td>.000 ±</td> <td></td> <td></td> <td></td> <td></td> </tr> <tr> <td>ANGLES ± 1°</td> <td colspan="4">G. E :</td> </tr> <tr> <td>THIRD ANGLE PROJECTION</td> <td colspan="4">FINISH :</td> </tr> <tr> <td></td> <td colspan="4">SCALE : 1:1</td> </tr> </table>		MM (INCH)	DFTO	ExpsAny	DATE	02/21/06	TOLERANCES EXCEPT AS NOTED	CHRD		DATE			MFO		DATE		MM	APPL		DATE		.0 ±					.00 ±					.000 ±					ANGLES ± 1°	G. E :				THIRD ANGLE PROJECTION	FINISH :					SCALE : 1:1				宁波高正电子有限公司 DEGSON ELECTRONICS CO., LTD		NAME 15EDGRH-3.81-XXP-1Y-00A (H)	
MM (INCH)	DFTO	ExpsAny	DATE	02/21/06																																																			
TOLERANCES EXCEPT AS NOTED	CHRD		DATE																																																				
	MFO		DATE																																																				
MM	APPL		DATE																																																				
.0 ±																																																							
.00 ±																																																							
.000 ±																																																							
ANGLES ± 1°	G. E :																																																						
THIRD ANGLE PROJECTION	FINISH :																																																						
	SCALE : 1:1																																																						
DRAWING NO. 15EDGRH-3.81-E01			SIZE A3	REV T4 02/10/09																																																			
DO NOT SCALE DRAWING			SHEET 1 OF 1																																																				