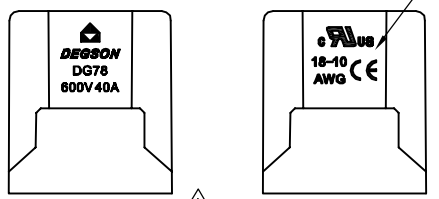
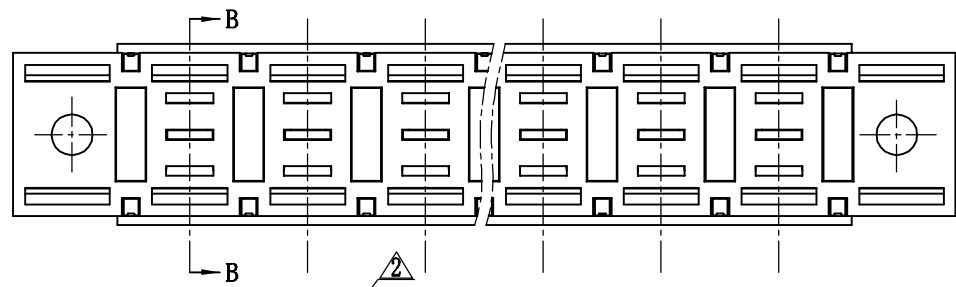
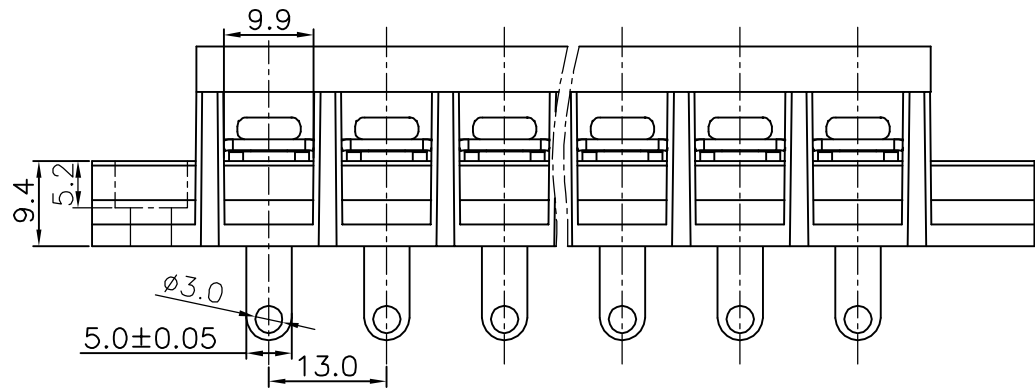
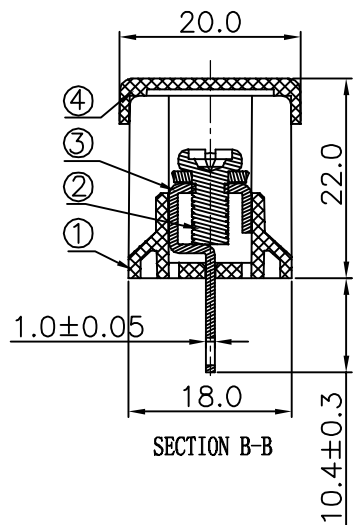
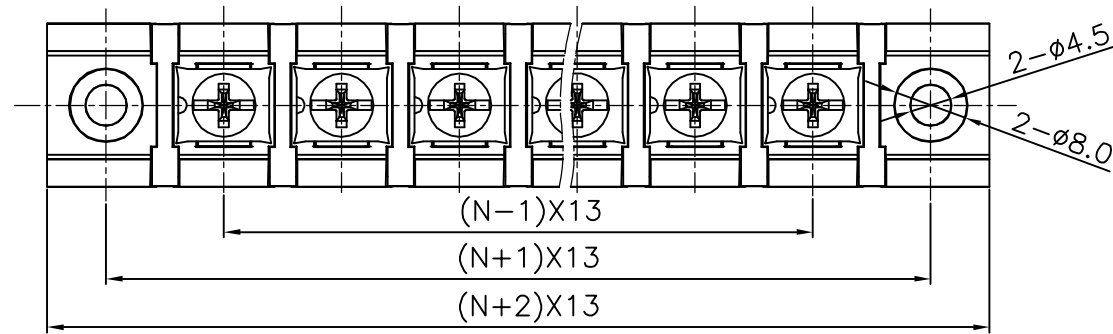


REVISION RECORD				
REV	ECO	DESCRIPTION	DRFT	DATE
△		25%GF更改为23%GF	CSX	03/24/06
△		增加UL刻字	CSX	04/23/07
△		品名、料号增加环保标识“(H)”	YeJ	12/08/07



- Notes:
- Pitch:13mm , Poles:2-18P
  - Rated current:40A
  - Rated voltage:600V
  - Operation temperatures:-30° C~+120° C
  - Insulation Withstand Voltage:AC2000V/1min
  - Insulation Resistance:1000MΩ /DC500V
  - Wire Range:18~10AWG
  - Max. Torque Value:12.24kgf. cm
  - Undimensioned Tolerances:

Pitch range in mm		Nominal dimension range in mm					
to	over	to	over	to	over	to	over
6	6	10	10	30	60	100	150
6	10	24	30	60	100	150	150
±0.10	±0.15	±0.25	±0.2	±0.3	±0.5	±0.7	±1.0

4	DG78-Cover	5034C07XXA (H)	1	PC	
3	DG78H Pin header	5009B00030 (H)	XX	Brass	SnCe plated
2	M4*8 (8*10) bright Screws	S000000510 (H)	XX	Steel	Ni plated

ITEM	NAME OF PART	NO. OF PART	Q'TY	MATERIAL	NOTES
1	DG78 Housing	5034M0YXXA (H)	1	PA66+23%GF	UL94V-0

MM (INCH)	DFTO Zhuwm	DATE 01/13/06"
TOLERANCES EXCEPT AS NOTED	CHKD	DATE
	MFO	DATE
	APPVL	DATE
MM	MATERIAL :	
.0 ±	G.E :	
.00 ±	FINISH :	
.000 ±	SCALE : 1:1	
ANGLES ± 1°	THIRD ANGLE PROJECTION	

NAME		SIZE		REV
DG78H-A-XXP-1Y-00A(H)		A3		T3
DRAWING NO. DG78H-E01		DO NOT SCALE DRAWING		12/08/07
/PART NO.		SHEET 1		OF 1