

## FYL-3014SRC1A

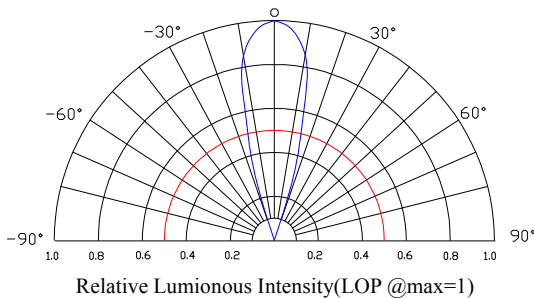
### Features:

- General purpose leads
- RoHs compliant.

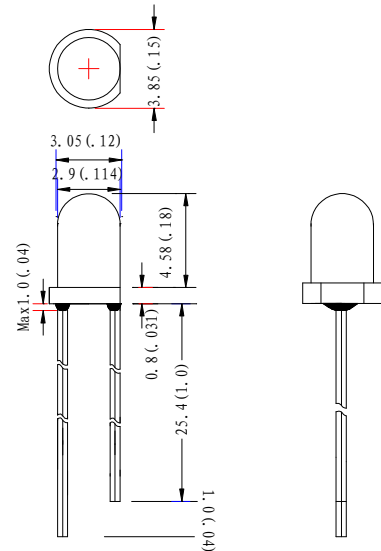
### Descriptions:

- Dice material: AlGaAS
- Emitting Color: Red
- Device Outline:  $\Phi 3\text{mm}$  Round Type.
- Lens Type: Water clear.

### Radiation pattern.



### Package configuration



- ◆ All dimensions are millimeters (inches)
- ◆ Tolerance is  $\pm 0.25\text{mm}$  (.010") unless otherwise noted.

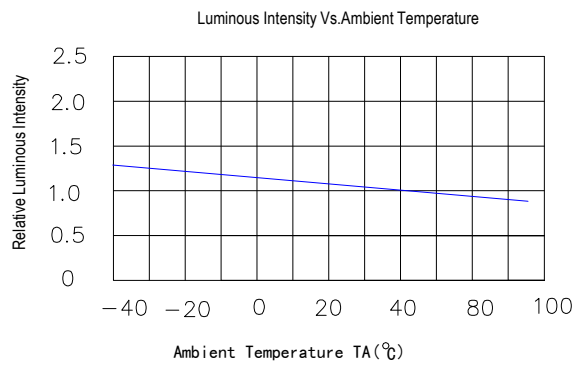
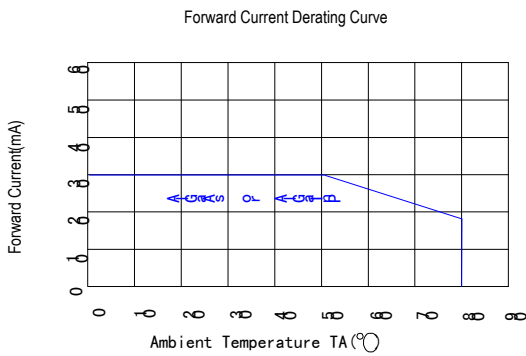
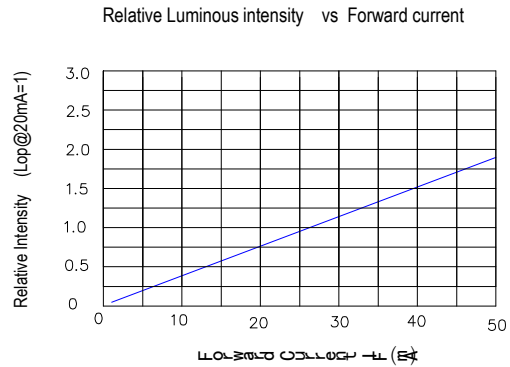
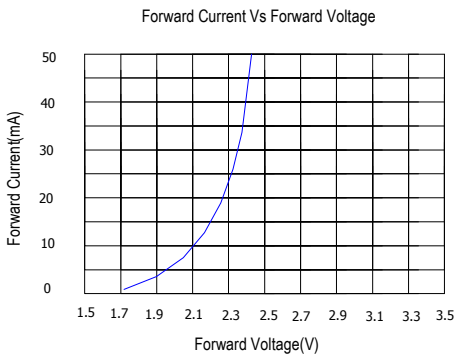
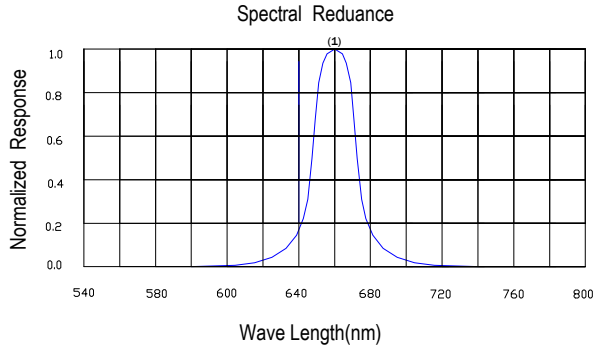
### Absolute maximum ratings( $T_a=25^\circ\text{C}$ )

| Parameter   | MAX.   | Unit                 |
|---|--|----------------------|
| Power Dissipation   | 80   | mW                   |
| Peak Forward Current (1/10 Duty Cycle, 0.1ms Pulse Width) | 100  | mA                   |
| Continuous Forward Current                                | 30   | mA                   |
| Derating Linear From $50^\circ\text{C}$                   | 0.4  | mA/ $^\circ\text{C}$ |
| Reverse Voltage   | 5  | V                    |
| Operating Temperature Range                               | <b><math>-30^\circ\text{C}</math> to <math>+80^\circ\text{C}</math></b>  |                      |
| Storage Temperature Range                                 | <b><math>-40^\circ\text{C}</math> to <math>+100^\circ\text{C}</math></b> |                      |
| Lead Soldering Temperature[4mm(.157") From Body]          | <b><math>260^\circ\text{C}</math> for 5 Seconds</b>                      |                      |

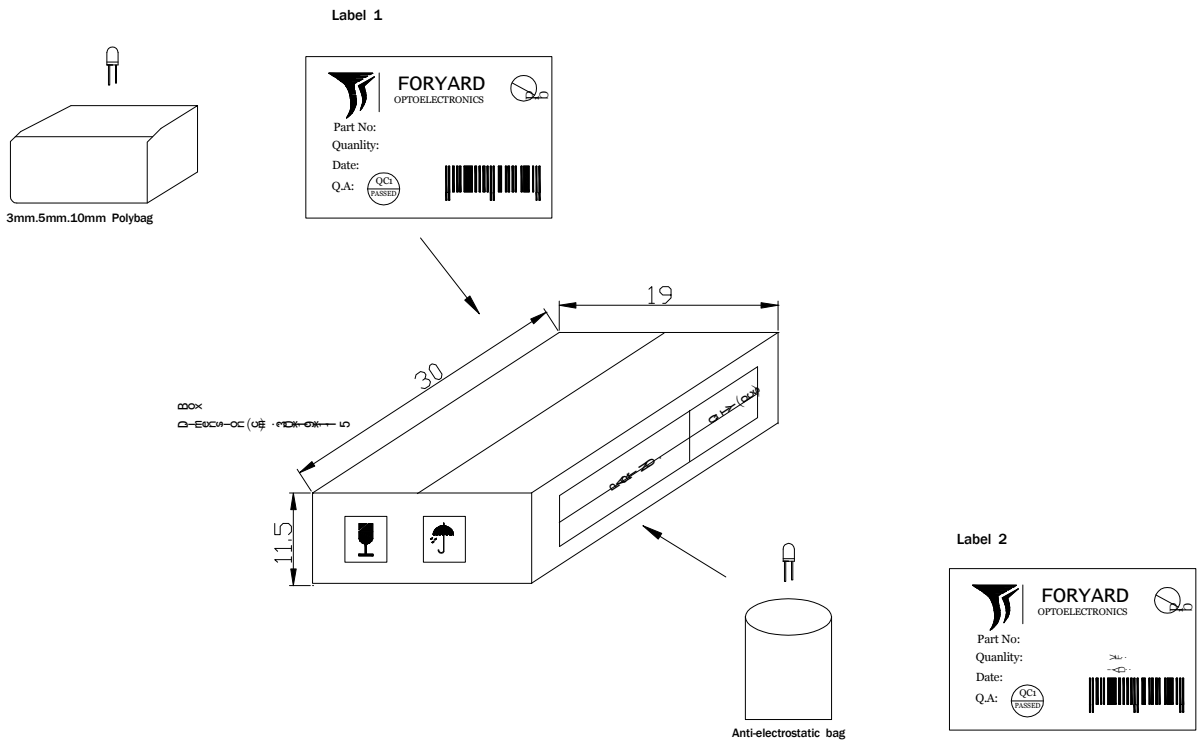
### Electrical and optical characteristics( $T_a=25^\circ\text{C}$ )

| Parameter                | Symbol          | Min. | Typ. | Max. | Unit          | Test Condition    |
|--------------------------|-----------------|------|------|------|---------------|-------------------|
| Luminous Intensity       | $I_v$           | –    | 200  | –    | mcd           | $I_F=20\text{mA}$ |
| Viewing Angle            | $2\theta_{1/2}$ | 25   | 30   | 35   | Deg           |                   |
| Peak Emission Wavelength | $\lambda_p$     | –    | 660  | –    | nm            |                   |
| Dominate Wavelength      | $\lambda_d$     | 638  | 643  | 648  | nm            |                   |
| Spectral Line Half-Width | $\Delta\lambda$ | 10   | 15   | 20   | nm            |                   |
| Forward Voltage          | $V_F$           | 1.7  | 1.9  | 2.5  | V             | $V_R=5\text{V}$   |
| Reverse Current          | $I_R$           |      |      | 10   | $\mu\text{A}$ |                   |

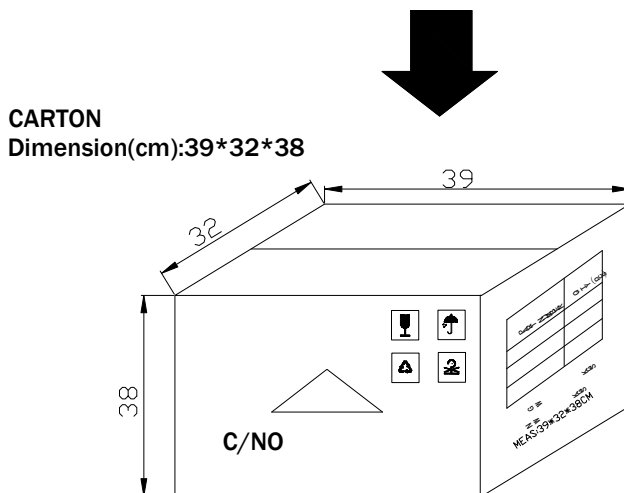
## Typical Electrical Characteristics Curves (25 °c Ambient Temperature Unless Otherwise Noted)



## LAMP PACKING.



| DEVICE           | QTY/polybag(pcs) | Polybag/box A | Fig     |
|------------------|------------------|---------------|---------|
| 5mm(T-1 3/4)     | 1000             | 8 bags        | Label 1 |
| 3mm(T-1 )        | 1000             | 10 bags       | Label 1 |
| 10mm(T-1)        | 250              | 8 bags        | Label 1 |
| Blue/Green/White | 500pcs           | 8 bags        | Label 2 |



6 Boxes/Carton  
 5mm:48,000pcs  
 3mm:60,000pcs  
 10mm:12,000pcs  
 Blue/Pure Green/bluish Green  
 /White:24,000pcs