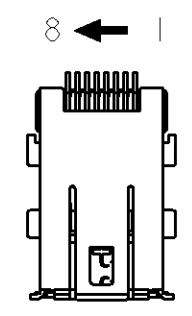


THIS DRAWING IS UNPUBLISHED. RELEASED FOR PUBLICATION
 © COPYRIGHT — ALL RIGHTS RESERVED.

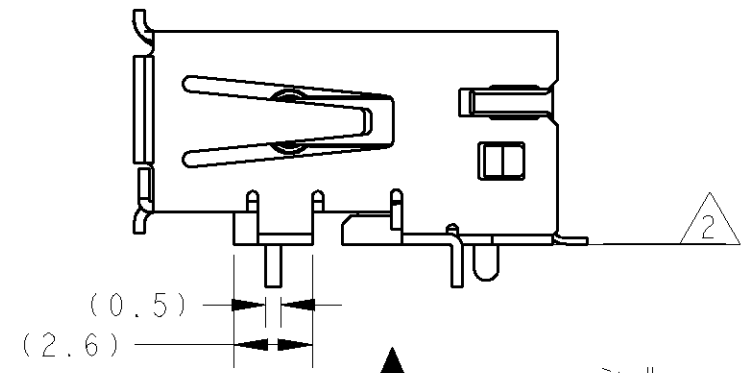
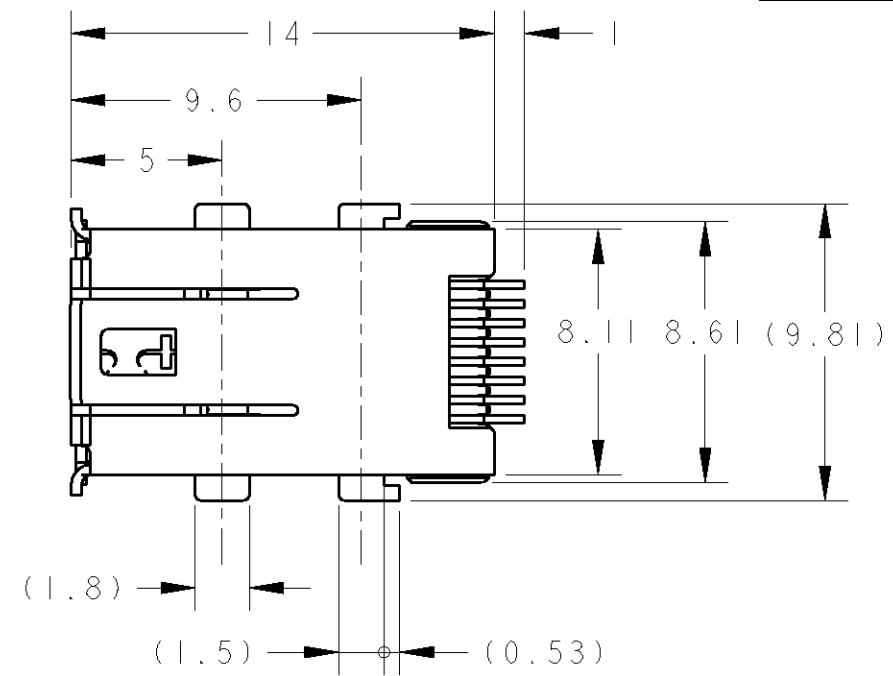
LOC	DIST	REVISIONS					
		P	LTR	DESCRIPTION	DATE	DWN	APVD
-	-	A2		REVISED PER ECO-11-005030	26APR11	RK	HMR



D-SHAPE TYPE 2

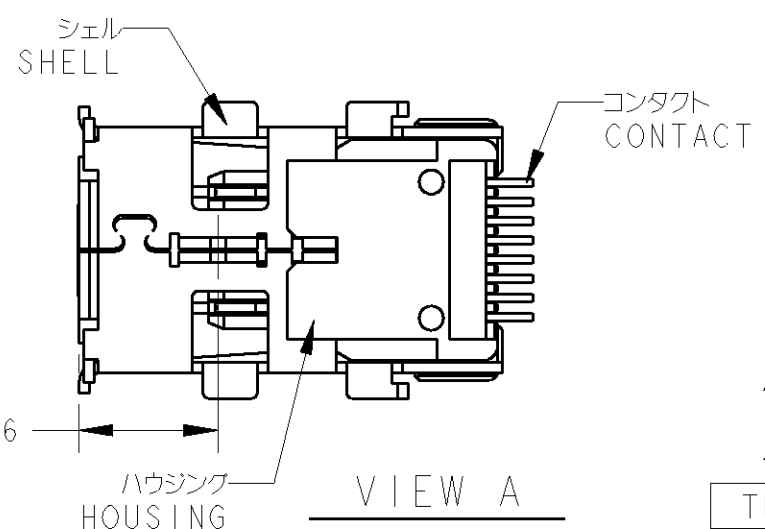
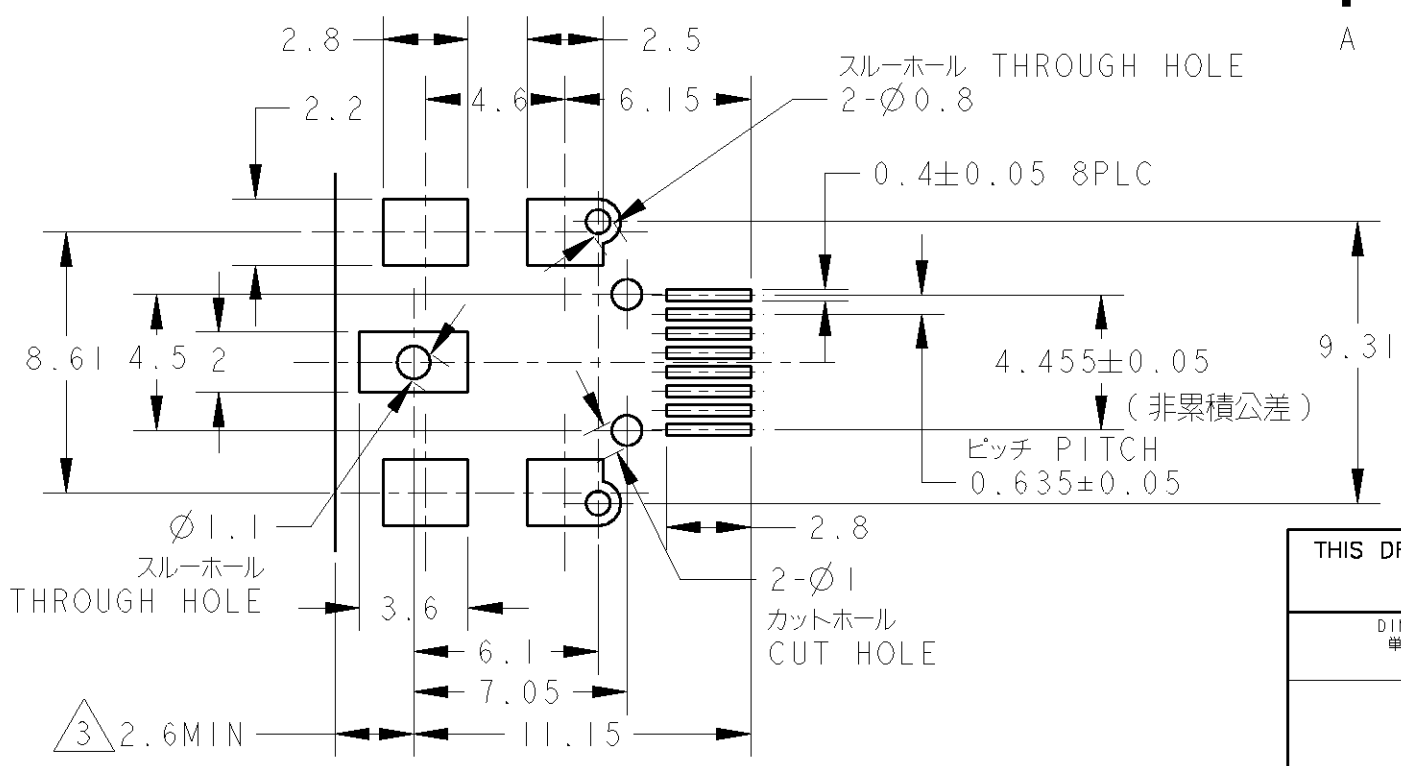
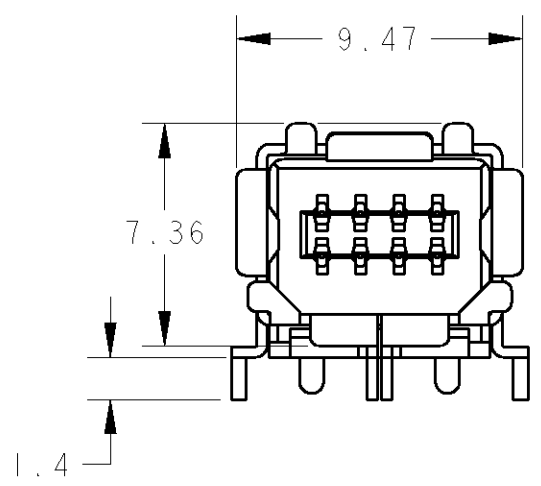


回路番号
CIRCUIT NO.



注記
 ① 材料及び仕上げ
 コンタクト
 材料: 銅合金
 全面Ni 下地めっき 1.27μmMIN
 接点部: Auめっき 0.5μmMIN
 半田付け部: Auフラッシュめっき
 ハウジング
 材料: 熱可塑性樹脂
 難燃性 UL 94V-0
 シェル
 材料: 銅合金
 全面Ni 下地めっき
 全面Snめっき
 ② SMTリード先端部の平坦度(コプラナリティー): 0.1MAX
 ③ 顧客決定寸法

NOTE
 ① MATERIAL AND FINISH
 CONTACT
 COPPER ALLOY
 UNDER ALL SURFACE Ni 1.27μm MIN
 TOP CONTACT AREA Au 0.5μm MIN
 SOLDERING AREA Au FLASH
 HOUSING
 THERMO PLASTIC(UL94V-0)
 SHELL
 COPPER ALLOY
 UNDER ALL SURFACE Ni
 TOP ALL SURFACE Sn
 ② COPLANARITY 0.1 MAX(TOP OF LEAD)
 ③ DIMENSION DECIDED BY CUSTOMER.



推奨基板寸法(実装面側) ±1.6
 RECOMMENDED BOARD DIMENSION
 (CONNECTOR SIDE) ±1.6

THIS DRAWING IS A CONTROLLED DOCUMENT.		DWN S. INOMATA 13NOV2007
DIMENSIONS: 単位: 概 mm		CHK I. HASEGAWA 13NOV2007
TOLERANCES UNLESS OTHERWISE SPECIFIED:		APVD I. HASEGAWA 13NOV2007
一般公差 ±0.2	0-PLC ±	PRODUCT SPEC 108-78405
1-PLC ±	1-PLC ±	APPLICATION SPEC
2-PLC ±	2-PLC ±	取付適用規格
3-PLC ±	3-PLC ±	WEIGHT -
4-PLC ±	4-PLC ±	CUSTOMER DRAWING
ANGLES ±	FINISH 仕上	
MATERIAL 材料		

TRAY (SEE SHEET 2 OF 2)		1981386-1	
PACKAGING STYLE		PART NO.	
TE TE Connectivity			
NAME 名称 INDUSTRIAL MINI I/O CONN. 1.27MM PITCH 8P HDR ASSY D-SHAPE TYPE 2			
SIZE A3	CAGE CODE -	DRAWING NO 番号 C-1981386	RESTRICTED TO -
SCALE 尺度 4:1		SHEET 1 OF 2	REV A2

4

3

2

1

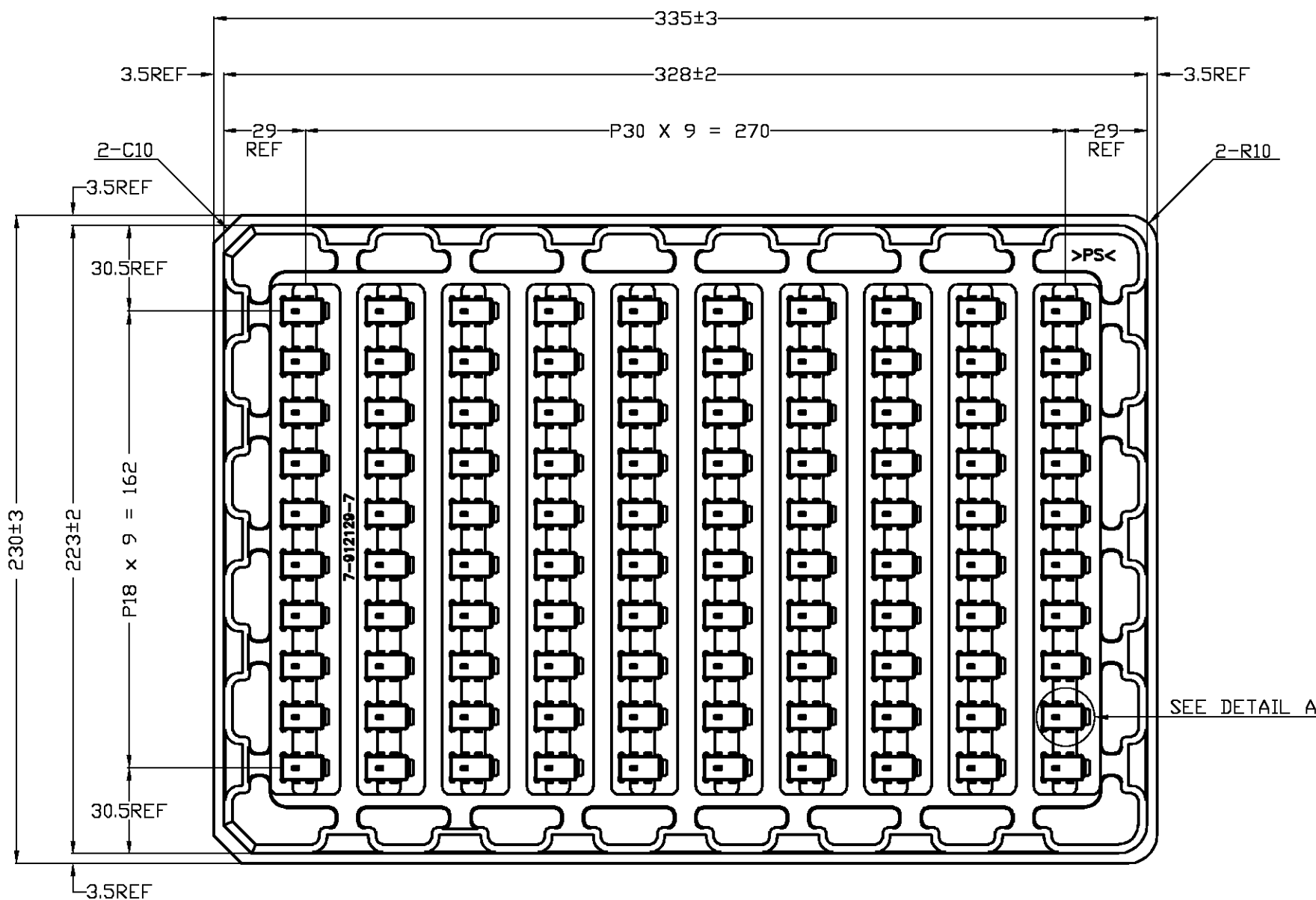
THIS DRAWING IS UNPUBLISHED.

RELEASED FOR PUBLICATION

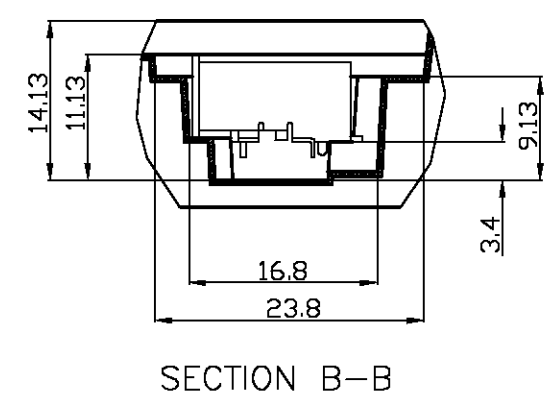
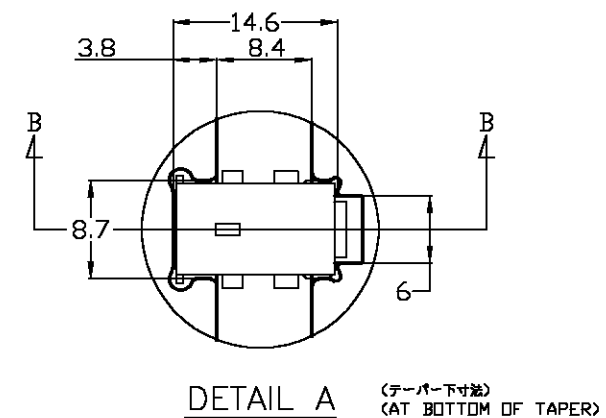
ALL RIGHTS RESERVED.

© COPYRIGHT

LOC	DIST	REVISIONS					
		P	LTR	DESCRIPTION	DATE	DWN	APVD
-	-	-	-	SEE SHEET 1	-	-	-


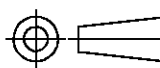


-1: 本図
1-: AS SHOWN



注記
 △トレー材質: ポリスチレン
 5 製品入り数: 100 / 1トレー

NOTE
 △TRAY MATERIAL: POLYSTYRENE
 5 PRODUCT QUANTITY: 100 / 1TRAY

THIS DRAWING IS A CONTROLLED DOCUMENT.		DWN SEE SHEET 1	 TE Connectivity	
DIMENSIONS: 単位: 耗 mm		CHK SEE SHEET 1		
TOLERANCES UNLESS OTHERWISE SPECIFIED: 一般公差 ±0.5		APVD SEE SHEET 1	NAME 名称 INDUSTRIAL MINI I/O CONN. 1.27MM PITCH 8P HDR ASSY D-SHAPE TYPE 2	
		PRODUCT SPEC 製品規格 SEE SHEET 1	DRAWING NO 番号 C-1981386	
MATERIAL 材料 △		FINISH 仕上 -	APPLICATION SPEC 取付適用規格 -	RESTRICTED TO -
WEIGHT -		SIZE A3	CAGE CODE -	SCALE 尺度 NONE
CUSTOMER DRAWING		SHEET 2 OF 2		REV A2

Mouser Electronics

Authorized Distributor

Click to View Pricing, Inventory, Delivery & Lifecycle Information:

[TE Connectivity:](#)

[1981386-1](#)