

Series 374

SPECIFICATIONS

技術資料

Terminal Blocks for PC-Boards Machined Type Insert (374系列)

印刷線路板用接線端子座 - 車床銅柱

Front Wire Inlet Type - Top Screw, Spacing 5.08mm or 10.16mm, Height Over PC-Board 12.5mm

前方入線型 - 頂部操作 · 間距5.08mm或10.16mm · 殼體高度12.5mm



374-031-12-00



MATERIAL 材料

- **Contact 觸點(metal housing 金屬殼體):**
Brass, Tin plated / 黃銅 · 銅錫電鍍
- **Terminal Screw 螺絲:**
Steel galvanized and chromated / 鋼 · 五彩電鍍
- **Surface of Solder Tail 針腳電鍍:**
Tin plated / 鍍錫
- **Insulator Body 絕緣體(housing 殼體)**
Poly Butylene Terephthlene, PBT (30% Glass filled) (UL 94 V-0)

ELECTRICAL 電機方面

- **Current Rating 工作電流:** 20 Amp
- **Dielectric Strength 電介質:** 2500V
- **Rated Voltage 額定電壓:** 300V
- **AWG 適用線號:** 22 - 14
- **Resistance to Tracking 絕緣阻值:** 5MΩ
- **Insulation Withstands Voltage 耐電壓:** AC1500V/Min
- **Conductor Size 適用線徑範圍:** 0.5 - 4.0mm²
- **Stripping Length 剝線長度:** 7.5 - 8.0mm

MECHANICAL 機械方面

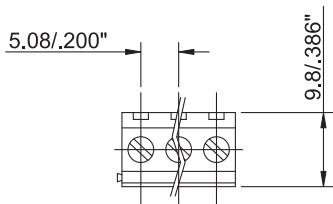
- **Operating Temperature 工作溫度:** -30°C to +120°C
- **Short Time Peak Temperature 短暫能容溫度:** +200°C max

**** Notice:**
To avoid accumulating tolerance-variations of Terminal Blocks, limit the number of contacts to no more than 24 contacts per row

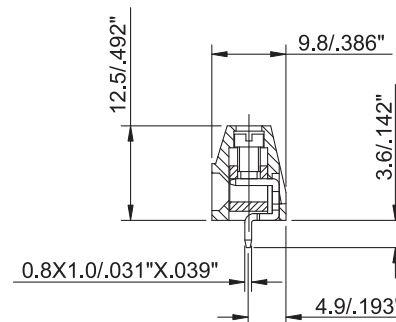
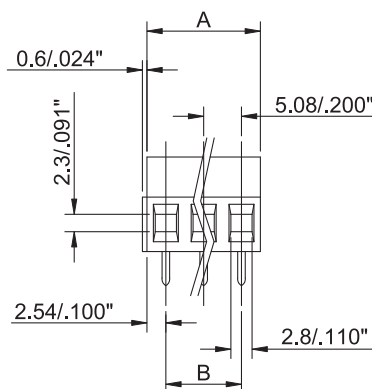
Recommended PC-Board-Holes
diameter : Ø1.2mm to Ø1.4mm
n = number of contacts

**** 為防止累積公差過大，接線端子座建議每排不超過24位**

建議底孔直徑：Ø1.2mm 至 Ø1.4mm
n = 觸點的數量



PITCH	Dimension A	Dimension B
5.08mm	n x 5.08	(n - 1) x 5.08
10.16mm	n x 10.16	(n - 1) x 10.16



HOW TO ORDER 排序整理

