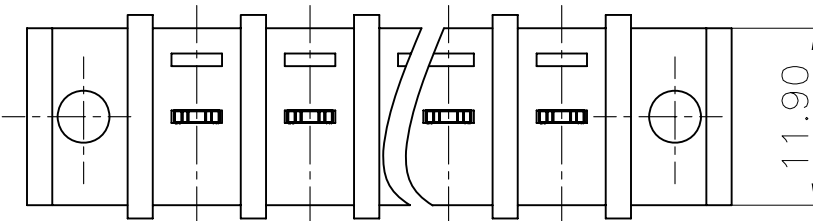
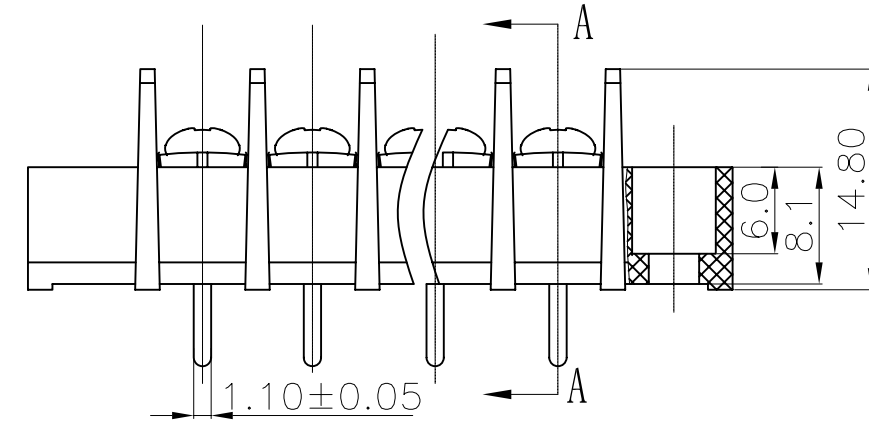
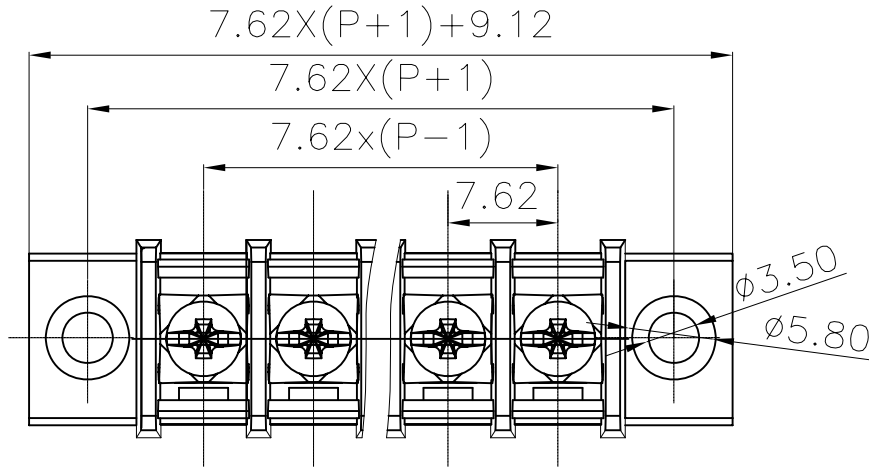


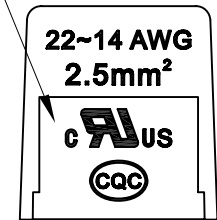
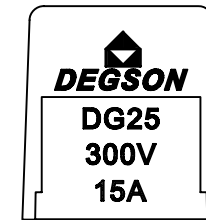
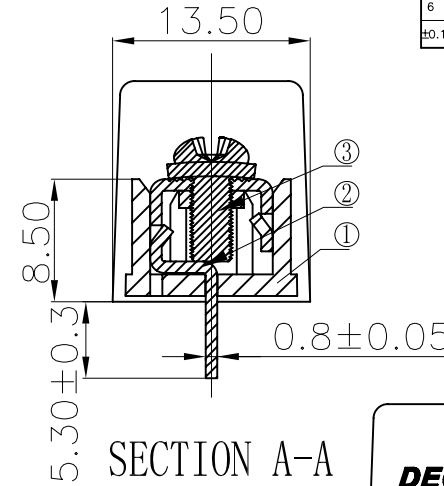
REVISION RECORD					
REV	ECO	DESCRIPTION	DRFT	DATE	
△		图面更新	CSX	07/18/06"	
△		增加UL刻字	YeJ	11/06/06"	



NOTES:

1. Pitch:7.62mm
2. Rated current:15A
3. Rated voltage:300V
4. Operation temperatures:-40° C~+105° C
5. Insulation Withstand Voltage:AC2000V/1Min
6. Insulation Resistance:500MΩ /DC500V
7. Wire Range:22~14AWG
8. Max. Torque:5.10kgf.cm
9. Undimensioned Tolerances:

Pitch range in mm		Nominal dimension range in mm				
to 6	over 6 to 10	over 10 to 24	over 6 to 6	over 30 to 90	over 90 to 200	over 200 to 480
±0.10	±0.15	±0.25	±0.1	±0.2	±0.3	±0.5
						±0.7



3	3*6 bright-Screw	S000000450 (H)	XX	Steel	Ni Plated
2	DG25C-Pin Header	5001B00010 (H)	XX	Brass	SnCe

1	DG25C Housing	5001MOYXXA (H)	1	PA66	UL94V-0
ITEM	NAME OF PART	NO. OF PART	Q"TY	MATERIAL	NOTES
DETACHED LISTS	MM (INCH)	DFTO DZJ	DATE 10/26/05"	宁波高正电子有限公司 DEGSON ELECTRONICS CO., LTD NAME DG25C-A-XXP-1Y-00A (H) DRAWING NO. DG25C-E11 /PART NO. FINISH : SCALE : 1:1 DO NOT SCALE DRAWING	
	TOLERANCES EXCEPT AS NOTED	CHKD	DATE		
	MM	MFO	DATE		
	.0 ±	APPVL	DATE		
	.00 ±	MATERIAL :			
.000 ±					
ANGLES ± 1°	G.E :			SIZE A3	REV T2
THIRD ANGLE PROJECTION				11/06/06"	