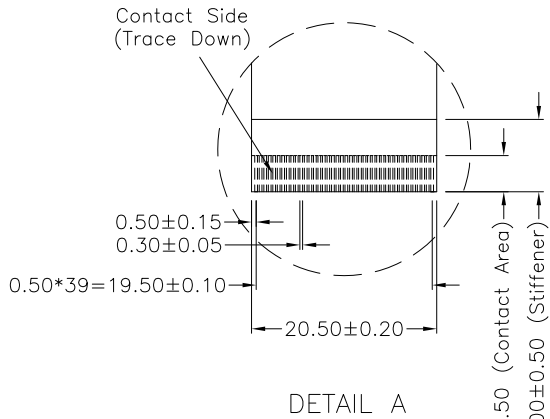
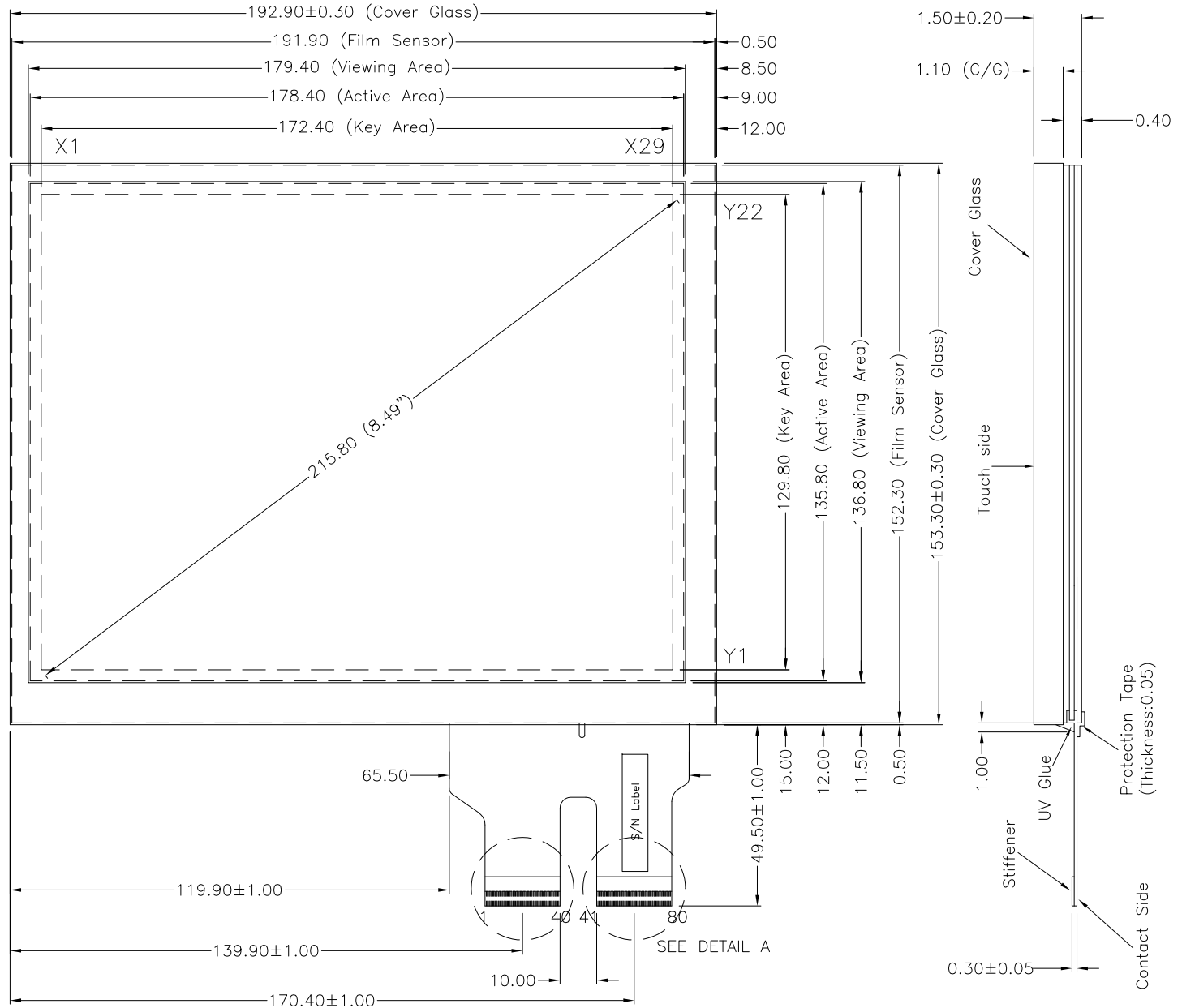


Touch Side View

CONNECTOR PINOUT	
PIN#	DESIGNATION
1	Blank
2-3	Blank
4	Grounding Line
5	Blank
6	Grounding Line
7	Blank
8-36	X1-X29
37-39	Blank
40	Grounding Line
41-51	Blank
52	Grounding Line
53	Blank
54-75	Y1-Y22
76-79	Blank
80	Grounding Line



NOTES:

- INPUT MODE : PROJECTED CAPACITIVE
- OVERALL THICKNESS : 1.50±0.20mm
- COVER GLASS THICKNESS : 1.10mm
- FRONT SURFACE : CLEAR TYPE
- TAIL TYPE : GOLD PLATED FPC , ZIF
- RECOMMENDED CONTROL BOARDS : PENMOUNT PM1300 SERIES
- OTHER SPEC : SEE APPROVAL SHEET
- PLEASE REFER TO AMT TOUCH SCREEN INTEGRATION GUIDES FOR SYSTEM MECHANICAL DESIGN AND ASSEMBLY METHODS



A	SEP. 22, 2011	REMOVED Y AXIS ITO GROUNDING LINE AND EMI SHIELD FILM MODIFY	Jerry
NO.	DATE	DESCRIPTION	CHK
REVISION			
CHIEF OF DESIGN		APPROVED	Jerry
DRAWN BY	Jasper	DATE	DEC. 04, 2013

Apex Material Technology Corp.

TOLERANCES UNLESS SPECIFIED		DWG NO : P3007-A2-1-011
.X	± 0.50	SCALE: N/S UNIT: mm
.XX	± 0.50	
.XXX	± 0.30	
ANGULAR		SHEET 1 OF 1