

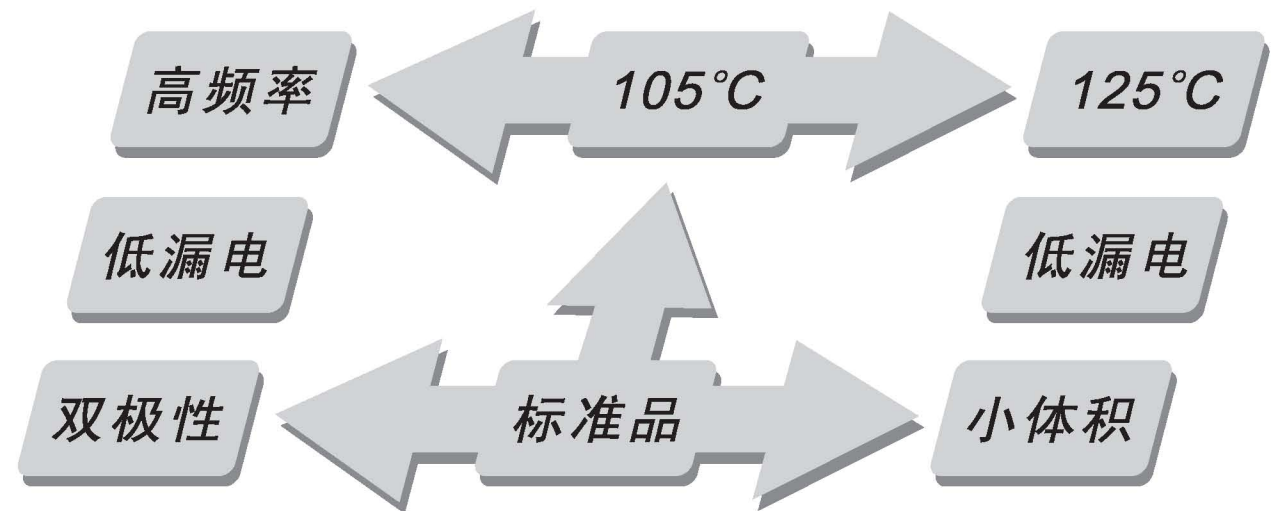
105°C 长寿命 小型铝电解电容器

CL Series Aluminum Electrolytic Capacitors

● 特点:

体积小, 寿命长, 105°C 2000小时, 宽温度、高可靠性。

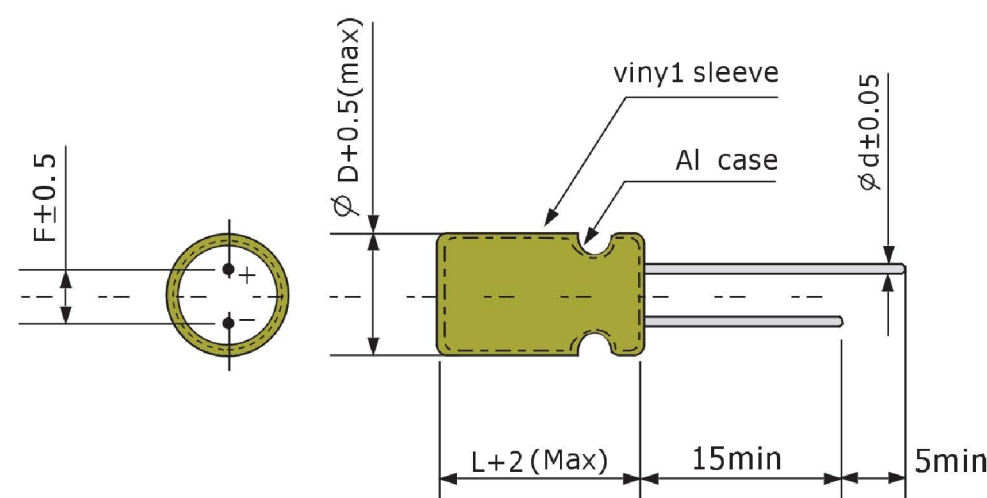
Small size, long life, 105°C 2000 hours, Wide temperature high reliability



主要技术性能 Specifications

使用温度范围 Operating temperature range	-40 ~ +105°C	-40 ~ +105°C																								
额定电压范围 Rated voltage range	6.3~100VDC	160~400VDC																								
标称电容量范围 Nominal capacitance range	0.1 ~ 15000uF																									
标称电容量允许偏差 Capacitance tolerance	± 20% (25°C, 120Hz)																									
漏电流 Leakage current	$I < 0.01C_R U_R$ (uA) 或 3uA (取较大者) Whichever is greater after 2 minutes)	$I < 0.03C_R U_R + 40$ (uA) (after 2 minutes)																								
损耗角正切值(tg δ) Dissipation factor (25°C, 120HZ)	容量大于1000uF者,每增加1000uF,其损耗角正切值增加0.02																									
	<table border="1"> <tr> <td>U_R(V)</td> <td>6.3</td> <td>10</td> <td>16</td> <td>25</td> <td>35</td> <td>50</td> <td>63</td> <td>100</td> <td>160</td> <td>250</td> <td>400</td> </tr> <tr> <td>tg δ</td> <td>0.24</td> <td>0.20</td> <td>0.17</td> <td>0.15</td> <td>0.12</td> <td>0.10</td> <td>0.09</td> <td>0.08</td> <td>0.15</td> <td>0.15</td> <td>0.20</td> </tr> </table>	U_R (V)	6.3	10	16	25	35	50	63	100	160	250	400	tg δ	0.24	0.20	0.17	0.15	0.12	0.10	0.09	0.08	0.15	0.15	0.20	0.02 is added to every 1000uF increase over 1000uF
U_R (V)	6.3	10	16	25	35	50	63	100	160	250	400															
tg δ	0.24	0.20	0.17	0.15	0.12	0.10	0.09	0.08	0.15	0.15	0.20															
温度特性 Temperature characteristics (120HZ)	容量大于1000uF者,每增加1000uF,阻抗比增加1																									
	<table border="1"> <tr> <td>U_R(V)</td> <td>6.3</td> <td>10</td> <td>16</td> <td>25~100</td> <td>160~250</td> <td>400</td> </tr> <tr> <td>Z-25°C/Z+20°C</td> <td>4</td> <td>3</td> <td>2</td> <td>2</td> <td>3</td> <td>6</td> </tr> <tr> <td>Z-40°C/Z+20°C</td> <td>10</td> <td>8</td> <td>6</td> <td>4</td> <td>4</td> <td>10</td> </tr> </table>	U_R (V)	6.3	10	16	25~100	160~250	400	Z-25°C/Z+20°C	4	3	2	2	3	6	Z-40°C/Z+20°C	10	8	6	4	4	10	1 is added to every 1000uF increase over 1000uF			
U_R (V)	6.3	10	16	25~100	160~250	400																				
Z-25°C/Z+20°C	4	3	2	2	3	6																				
Z-40°C/Z+20°C	10	8	6	4	4	10																				
耐久性 Load life	≤100V: 2000小时 ≥160V: 5000小时	+105°C加带纹波电流的额定电压2000小时,恢复16小时后: After applying rated voltage with specified ripple current for 2000 hours at +105°C and then resumed 16 hours: 电容量变化率 Capacitance change: ± 20%初始测量值以内 Initial measured value 漏电流 Leakage current: < 初始规定值 Initial specified value 损耗角正切值 Dissipation factor: < 200%初始规定值 Initial specified value																								
高温储存 Shelf life		+105°C, 500小时, 恢复16小时后: After storage for 500 hours at 105°C then resumed 16 hours: 电容量变化率 Capacitance change: ± 20%初始测量值以内 Initial measured value 漏电流 Leakage current: < 300%初始规定值 Initial specified value 损耗角正切值 Dissipation factor: < 200%初始规定值 Initial specified value																								

外型图及尺寸表



Case size table

ΦD	±0.5							
	5	6.3	8	10	13	16	18	22
F±0.5	2.0	2.5	3.5	5.0	5.0	7.5	7.5	10.0
d±0.05	0.5	0.5	0.5	0.6	0.6	0.8	0.8	0.8

CL Series Aluminum Electrolytic Capacitors
系列铝电解电容器

规格尺寸对照表 Case size table

$C_R \mu F \backslash U_R$	6.3V (0J)	10V (1A)	16V (1C)	25V (1E)	35V (1V)	50V (1H)	63V (1J)	100V (2A)	160V (2C)	250V (2E)	400V (2G)
0.1 (R10)						5X11					
0.22 (R22)						5X11					
0.33 (R33)						5X11					
0.47 (R47)						5X11		5X11			
1 (010)						5X11		5X11	6.3X12	6.3X12	8x12
2.2 (2R2)						5X11		5X11	6.3X12	8X12	8x14
3.3 (3R3)						5X11		5X11	6.3X12	8X12	10x14
4.7 (4R7)						5X11		5X11	8X12	8X14	10x16
10 (100)			5X11	5X11	5X11	5X11	5X11	6.3x12	8X14	10X16	13x20
22 (220)			5X11	5X11	5X11	5X11	6.3X12	8x12	10X16	10X22	16x22
33 (330)			5X11	5X11	5X11	6.3X12	8X12	10X14	10X22	13X20	16X25
47 (470)			5X11	5X11	6.3X12	6.3X12	8X12	10X14	13X20	13X25	16x30
100 (101)		5X11	6.3X11	6.3X12	8X12	8X12	8X14	10X20	16X25	16X30	18x40
220 (221)	6.3X12	6.3X12	6.3X12	8X12	8X12	10X16	10X16	13X25	18X35		
330 (331)	6.3X12	8X12	8X12	8X14	10X14	10X20	13X20	16X25	22X35		
470 (471)	8X12	8X12	8X12	10X14	10X16	13X20	13X20	16X30			
1000 (102)	8X12	8X16	10X16	10X22	13X20	16X22	16X25	18X40			
2200 (222)	10X16	10X20	13X20	13X25	16X25	16X35	18X35				
3300 (332)	10X22	13X20	13X25	16X25	16X30	18X40	22X35				
4700 (472)	13X20	13X25	16X25	16X30	18X35	22X40	22X45				
6800 (682)	13X25	16X25	16X30	18X35	22X35						
10000 (103)	16X25	16X30	18X30	22X35							
15000 (153)	16X30	18X30	18X40								