

Description

The 2842/43/44/45 are fixed frequency current mode PWM controller. They are specially designed for OFF-Line and DC to DC converter applications with a minimal external components. Internally implemented circuits include a trimmed oscillator for precise duty cycle control, a temperature compensated reference, high gain error amplifier, current sensing comparator, and a high current totem pole output ideally suited for driving a power MOSFET. Protection circuitry includes built undervoltage lockout and current limiting. The 2842 and 2844 have UVLO thresholds of 16V (on) and 10V (off). The corresponding thresholds for the 2843/45 are 8.4V (on) and 7.6V (off). The 2842 and 2843 can operate within 100% duty cycle.

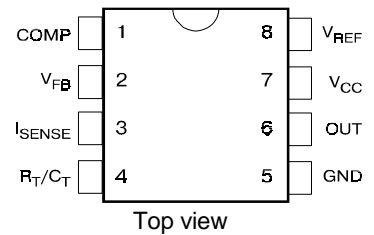
The 2844 and 2845 can operate within 50% duty cycle.

The 284X has Start-Up Current 0.5mA (typ).

Features

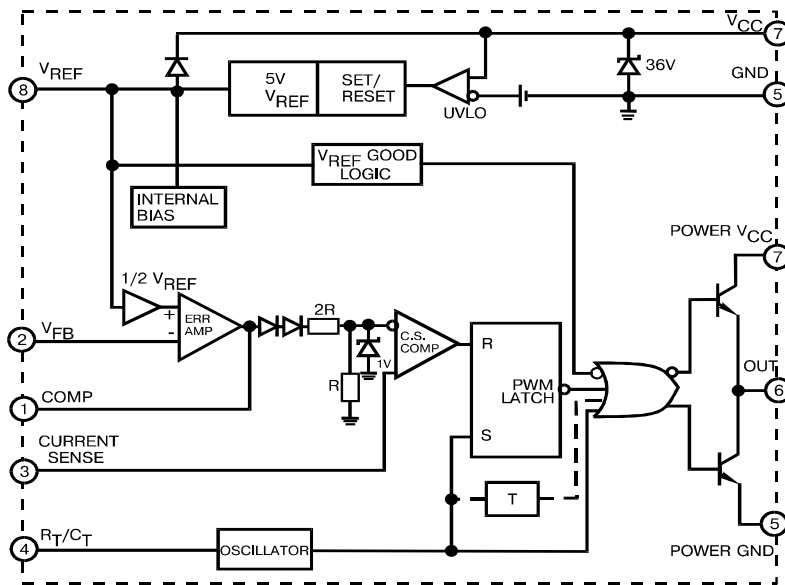
- Low Start-Up and Operating Current
- High Current Totem Pole Output
- Undervoltage Lockout With Hysteresis
- Operating Frequency Up To 500KHz

Pin Connection



Block diagram

(toggle flip flop used only in 2844, 2845)



Absolute Maximum Ratings

Symbol	Parameter	Maximum	Units
V_{CC}	Supply Voltage (low impedance source)	30	V
I_o	Output Current	± 1	A
V_i	Input Voltage (Analog Inputs pins 2,3)	-0.3 to 5.5	V
$I_{SINK(E.A)}$	Error Amp Output Sink Current	10	mA
P_o	Power Dissipation ($T_A=25^\circ C$)	1	W
Tstg	Storage Temperature Range	-65 to 150	$^\circ C$
T_L	Lead Temperature (soldering 5 sec.)	260	$^\circ C$
T_A	Operating Ambient Temperature	-25 to +85	$^\circ C$

Electrical characteristics

(*V_{CC}=15V, R_T=10kΩ, C_T=3.3nF, T_A=0°C to +70°C, unless otherwise specified)

Characteristics	Symbol	Test Conditions	Min	Typ	Max	Units	
Reference Section							
Reference Output Voltage	V _{REF}	T _J = 25°C, I _{REF} = 1 mA	4.9	5.0	5.1	V	
Line Regulation	ΔV _{REF}	12V ≤ V _{CC} ≤ 25 V		6.0	20	mV	
Load Regulation	ΔV _{REF}	1 mA ≤ I _{REF} ≤ 20mA		6.0	25		
Short Circuit Output Current	I _{SC}	T _A = 25°C		-100	-180	mA	
Oscillator Section							
Oscillation Frequency	f	T _J = 25°C	284X	47	50	57	KHz
			284X	47	52	57	
Frequency Change with Voltage	Δf/ΔV _{CC}	12V ≤ V _{CC} ≤ 25 V		0.05	1.0	%	
Oscillator Amplitude	V _(OSC)	(peak to peak)		1.6		V	
Error Amplifier Section							
Input Bias Current	I _{BIAS}	V _{FB} =3V		-0.1	-2	μA	
Input Voltage	V _(I.E.A)	V _{pin1} = 2.5V	2.42	2.5	2.58	V	
Open Loop Voltage Gain	A _{VOL}	2V ≤ V _o ≤ 4V	65	90		dB	
Power Supply Rejection Ratio	PSRR	12V ≤ V _{CC} ≤ 25 V	60	70			
Output Sink Current	I _{SINK}	V _{pin2} = 2.7V, V _{pin1} = 1.1V	2	7		mA	
Output Source Current	I _{SOURCE}	V _{pin2} = 2.3V, V _{pin1} = 5V	-0.5	-1.0		mA	
High Output Voltage	V _{OH}	V _{pin2} = 2.3V, R _L = 15KΩ to GND	5.0	6.0		V	
Low Output Voltage	V _{OL}	V _{pin2} = 2.7V, R _L = 15KΩ to PIN 8		0.8	1.1		
Current Sense Section							
Gain	G _V	(Note 1 & 2)	2.85	3.0	3.15	V/V	
Maximum Input Signal	V _(I.MAX)	V _{pin1} = 5V (Note1)	0.9	1.0	1.1	V	
Supply Voltage Rejection	SVR	12V ≤ V _{CC} ≤ 25 V (Note 1)		70		dB	
Input Bias Current	I _{BIAS}	V _{pin3} = 3V		-3.0	-10	μA	
Output Section							
Low Output Voltage	V _{OL}	I _{SINK} = 20 mA		0.08	0.4	V	
		I _{SINK} = 200 mA		1.4	2.2		
High Output Voltage	V _{OH}	I _{SINK} = 20 mA	13	13.5		V	
		I _{SINK} = 200 mA	12	13.0			
Rise Time	t _r	T _J = 25°C, C _L = 1nF (Note 3)		45	150	nS	
Fall Time	t _f	T _J = 25°C, C _L = 1nF (Note 3)		35	150		
Undervoltage Lockout Section							
Start Theshold	V _{TH(ST)}	2842/44	14.5	16.0	17.5	V	
		2843/45	7.8	8.4	9.0		
Min. Operating Voltage (After Turn On)	V _{OPR(min)}	2842/44	8.5	10	11.5	V	
		2843/45	7.0	7.6	8.2		
PWM Section							
Max. Duty Cycle	D _(MAX)	2842/43	95	97	100	%	
		2844/45	47	48	50		
Min. Duty Cycle	D _(MAX)				0		
Total Standby Current							
Start-Up Current	I _{ST}	284X		0.05		mA	
Operating Supply Current	I _{CC (OPR)}	V _{pin3} = V _{pin2} = 0V		13	17		
Zener Voltage	V _Z	I _{CC} =25 mA	30	38		V	

* - Adjust V_{CC} above the start threshold before setting it to 15V.

Note 1: Parameter measured at trip point of latch with V_{pin2}=0.

Note 2: Gain defined as A=ΔV_{pin1}/ΔV_{pin3} ; 0 ≤ V_{pin3} ≤ 0.8V.

Note 3: These parameters, although guaranteed, are not 100% tested in production.

Pin functions

N	Function	Description
1	COMP	This pin is the Error Amplifier output and is made for loop compensation.
2	V _{FB}	This is the inverting input of the Error Amplifier. It is normally connected to the switching power supply output through a resistor divider.
3	I _{SENSE}	A voltage proportional to inductor current is connected to this input. The PWM uses this information to terminate the output switch conduction.
4	R _T /C _T	The oscillator frequency and maximum Output duty cycle are programmed by connecting resistor R _T to V _{ref} and capacitor C _T to ground.
5	GROUND	This pin is the combined control circuitry and power ground.
6	OUTPUT	This output directly drives the gate of a power MOSFET. Peak currents up to 1A are sourced and sink by this pin.
7	V _{CC}	This pin is the positive supply of the integrated circuit.
8	V _{ref}	This is the reference output. It provides charging current for capacitor C _T through resistor R _T .

Application information

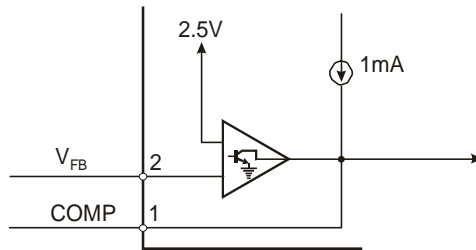


Figure 1. Error Amp Configuration

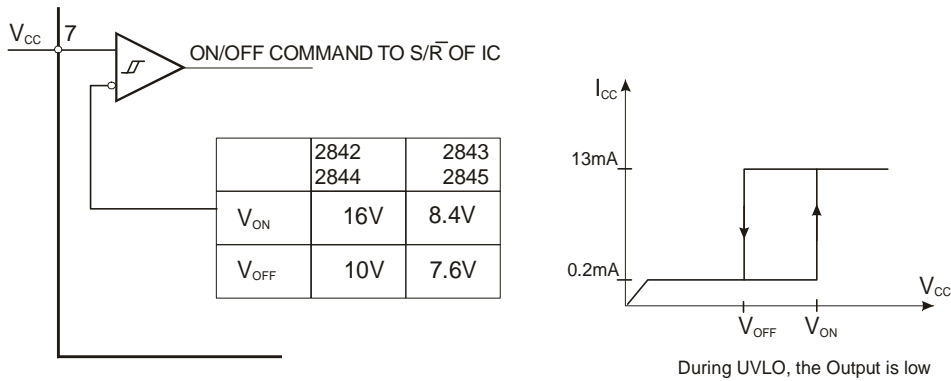


Figure 2. Undervoltage Lockout

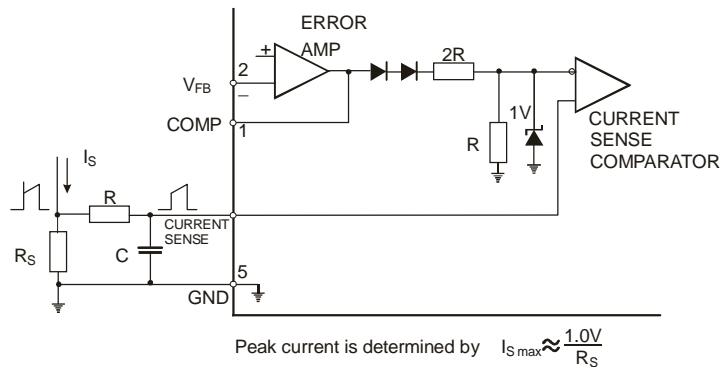


Figure 3. Current Sense Circuit

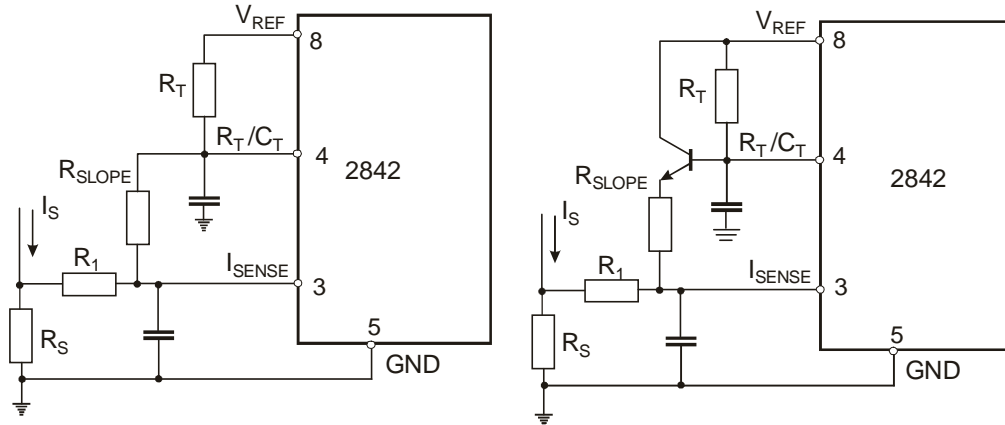
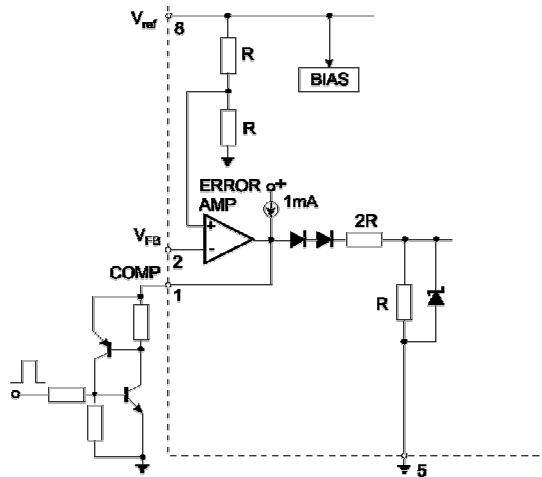
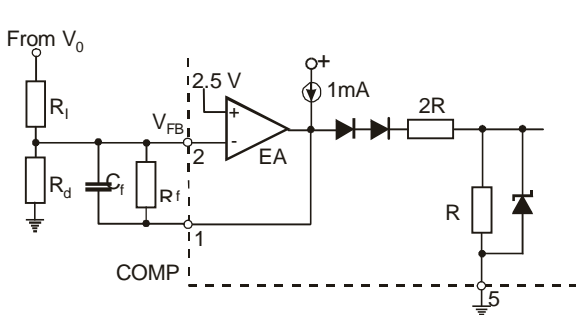


Figure 4. Slope Compensation Techniques

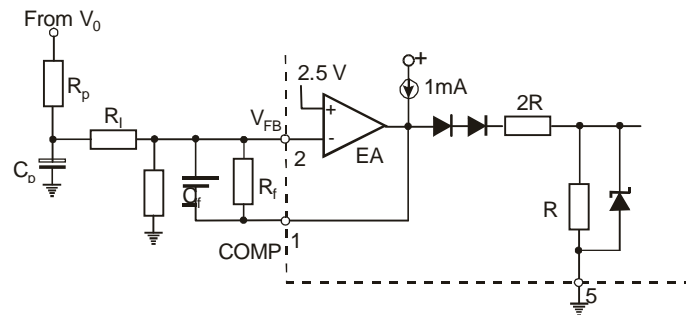


SCR must be selected for a holding current of less than 0.5mA.
The simple two transistor circuit can be used in place of the SCR as shown.

Figure 5. Latched Shutdown



Error Amp compensation circuit for stabilizing any current-mode topology except for boost and flyback converters operating with continuous inductor current.



Error Amp compensation circuit for stabilizing current-mode boost and flyback topologies operating with continuous inductor current.

Figure 6. Error Amplifier Compensation

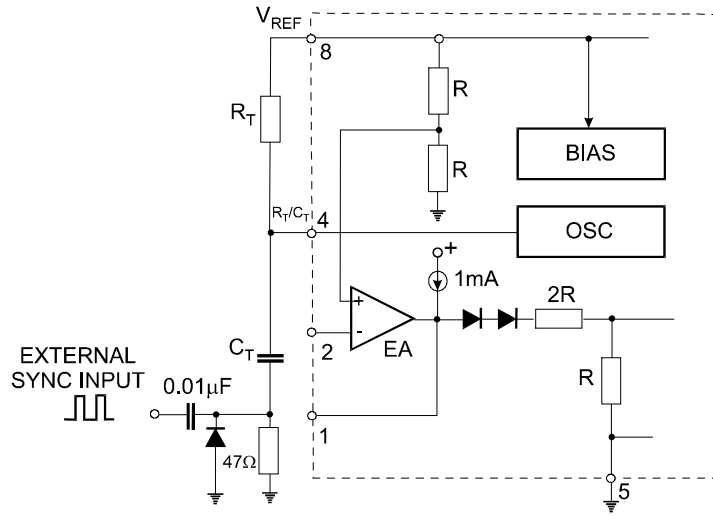


Figure 7. External Clock Synchronization

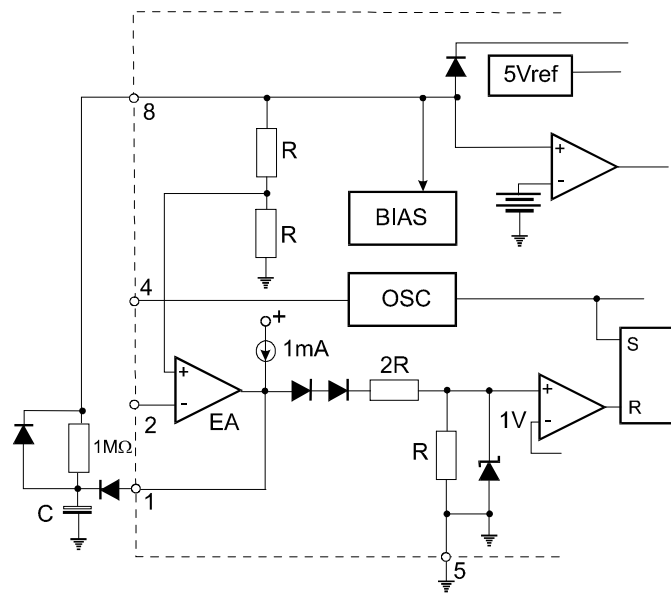


Figure 8. Soft-Start Circuit

Typical Performance Characteristics

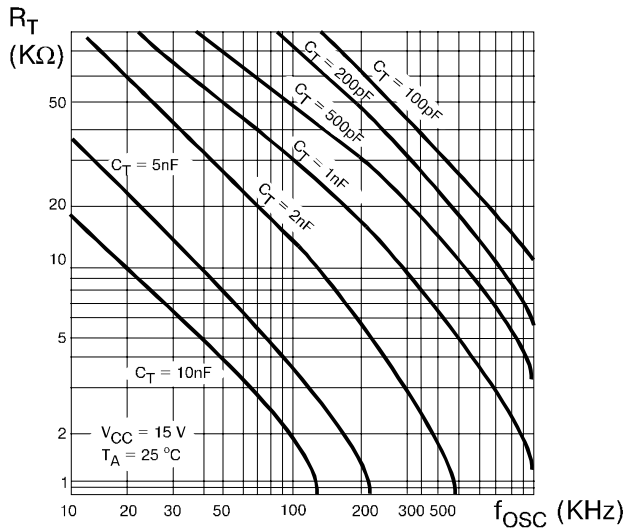


Figure 1. Timing Resistor vs. Oscillator Frequency

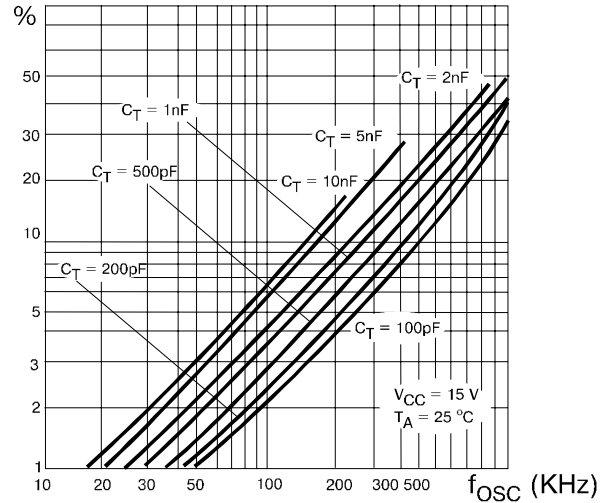


Figure 2. Output Dead-Time vs. Oscillator Frequency

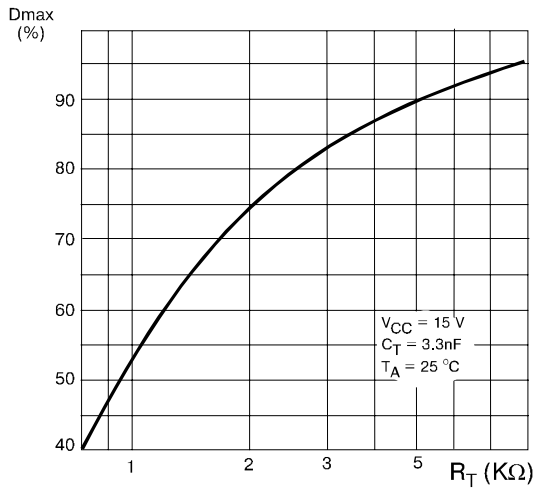


Figure 3. Maximum Output Duty Cycle vs. Timing Resistor (UC3842/43)

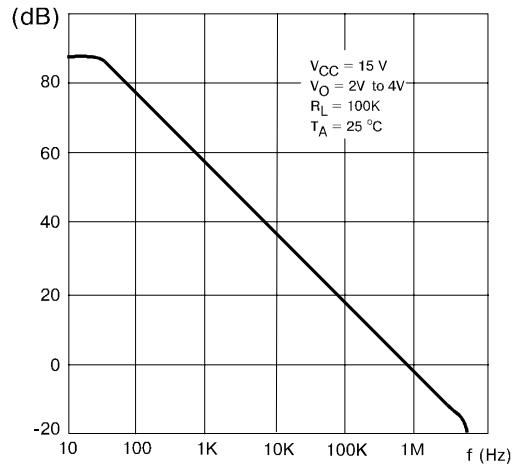


Figure 4. Error Amp Open-Loop Gain vs. Frequency

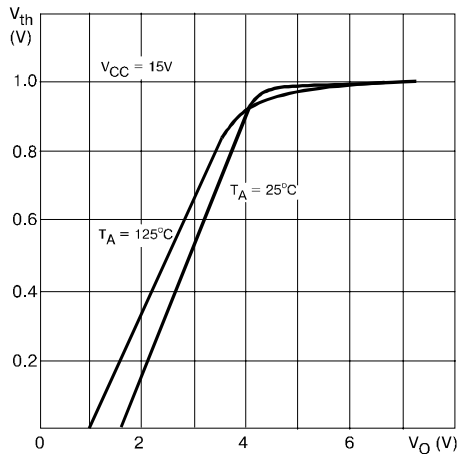


Figure 5. Current Sense Input Threshold vs. Error Amp Output Voltage

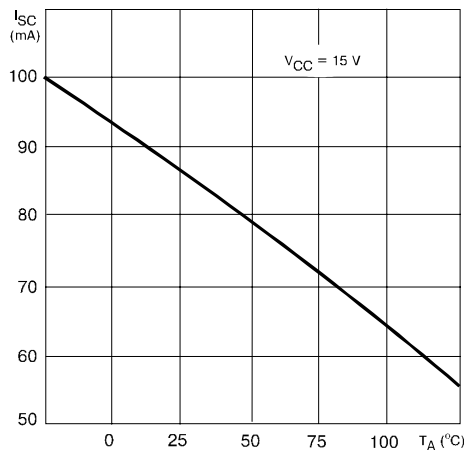


Figure 6. Reference Short Circuit Current vs. Temperature

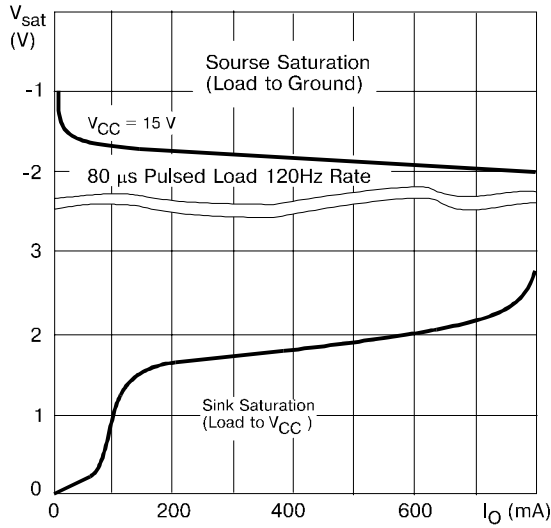


Figure 7. Output Saturation Voltage vs. Load Current
 $T_A = 25^\circ\text{C}$

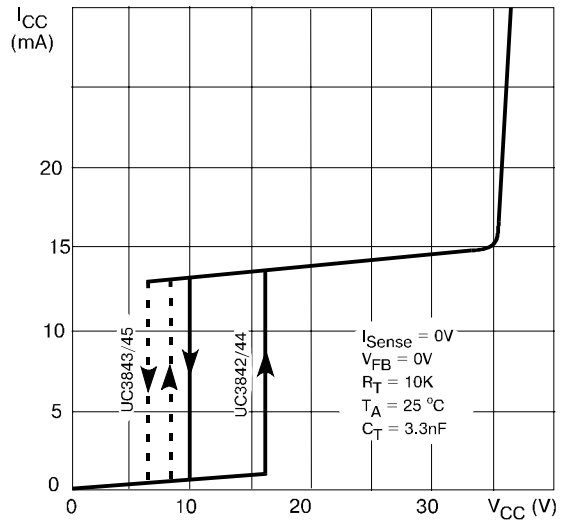


Figure 8. Supply Current vs. Supply Voltage

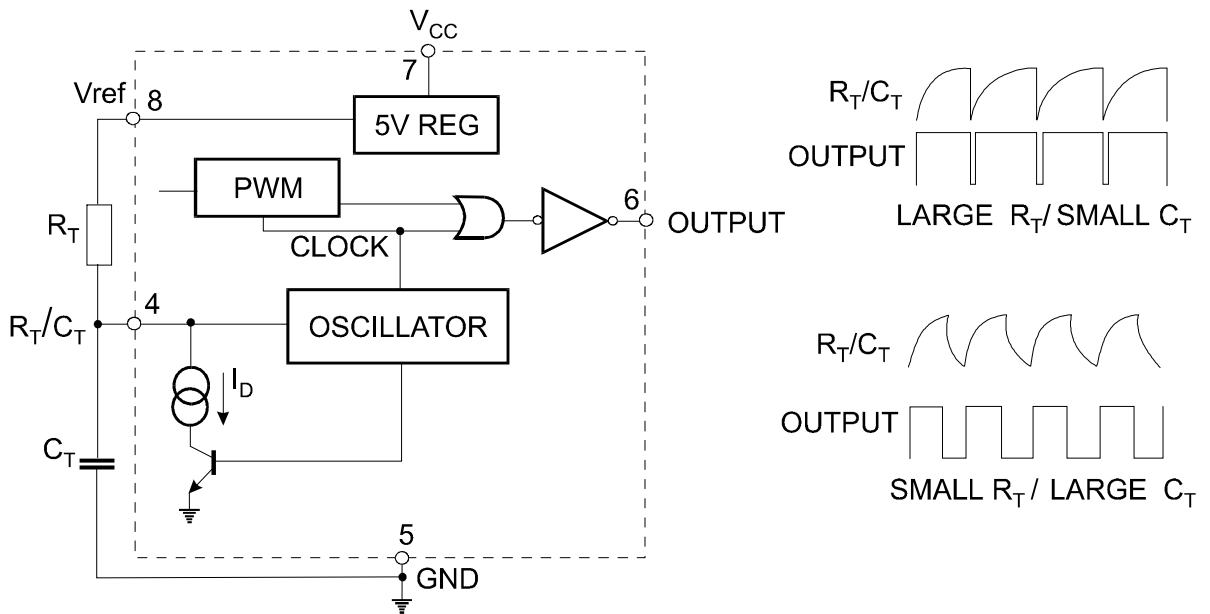
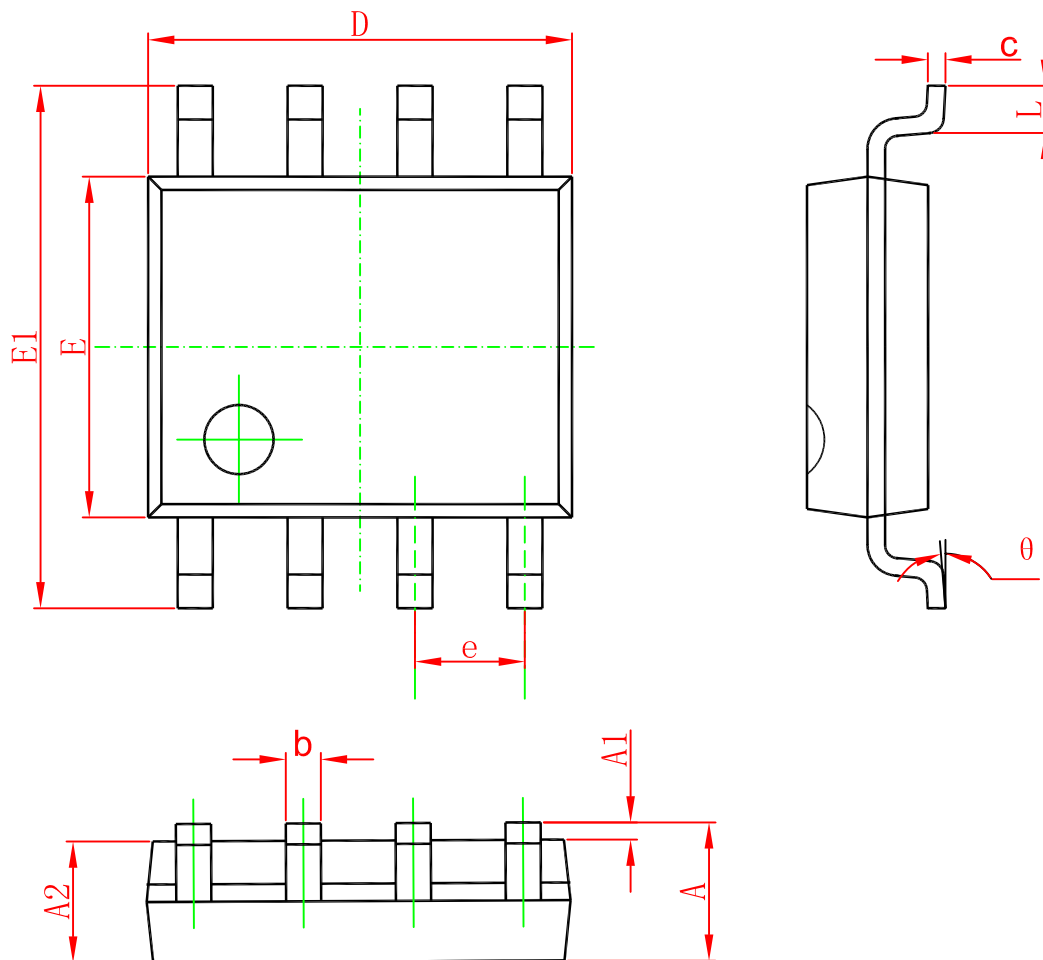


Figure 9. Oscillator and Output Waveforms

SOP-8



Symbol	Dimensions In Millimeters		Dimensions In Inches	
	Min	Max	Min	Max
A	1.350	1.750	0.053	0.069
A1	0.100	0.250	0.004	0.010
A2	1.350	1.550	0.053	0.061
b	0.330	0.510	0.013	0.020
c	0.170	0.250	0.006	0.010
D	4.700	5.100	0.185	0.200
E	3.800	4.000	0.150	0.157
E1	5.800	6.200	0.228	0.244
e	1.270(BSC)		0.050(BSC)	
L	0.400	1.270	0.016	0.050
θ	0°	8°	0°	8°

Ordering information

Order code	Package	Baseqty	Deliverymode
UMW UC2842B	SOP-8	2500	Tape and reel
UMW UC2843B	SOP-8	2500	Tape and reel
UMW UC2844B	SOP-8	2500	Tape and reel
UMW UC2845B	SOP-8	2500	Tape and reel