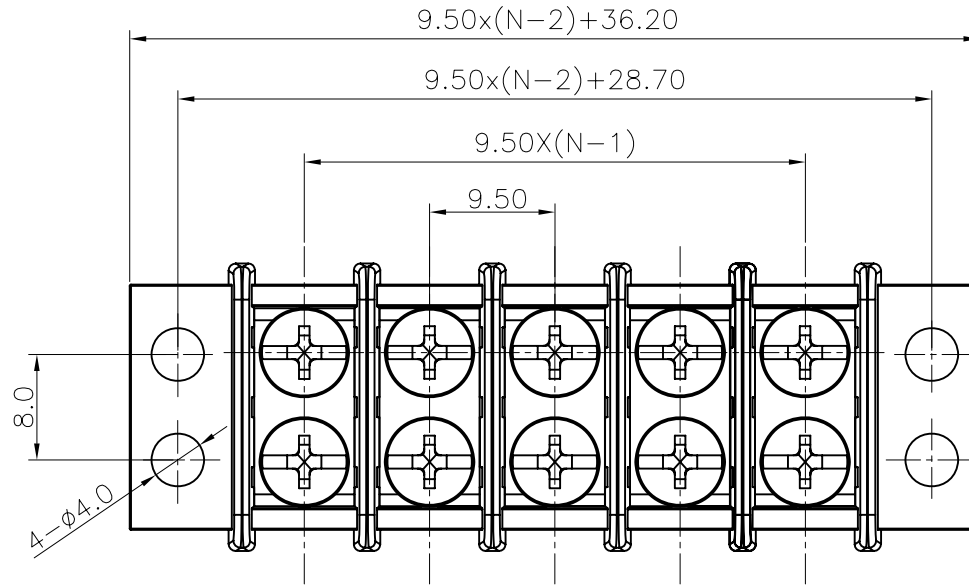


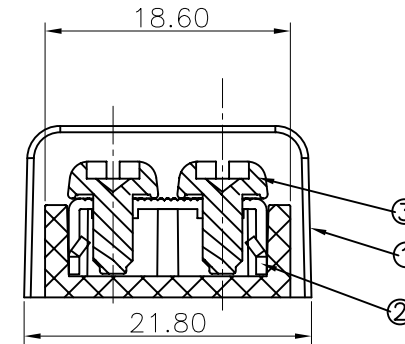
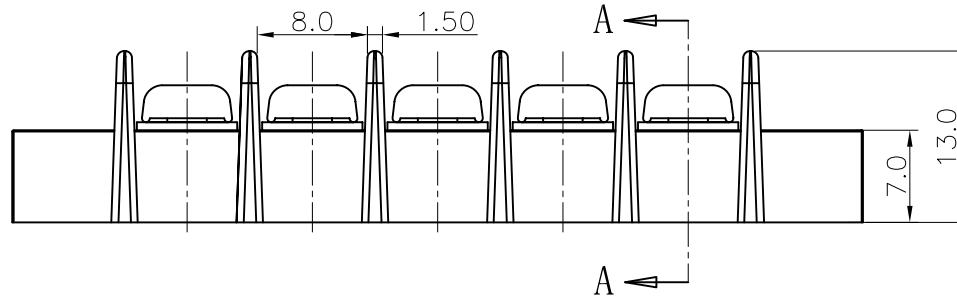
REVISION RECORD				
REV	ECO	DESCRIPTION	DRFT	DATE
1		修改刻字	YeJ	05/11/07
2	09-0115	增加CQC刻字	GHY	11/28/09



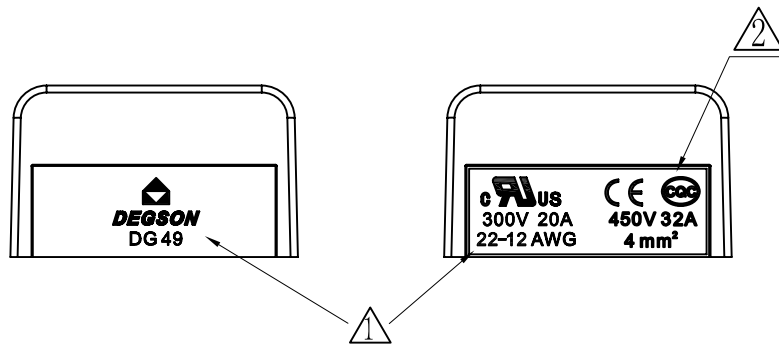
Notes:

- Pitch: 9.5mm, Poles: 2-24P
- Rated voltage/current: UL 300V/20A
IEC 250V/32A
- Operation temperatures: $-40^{\circ}\text{C} \sim +80^{\circ}\text{C}$
- Withstanding Voltage: AC2000V/1min
- Insulation Resistance: $5000\text{M}\Omega / \text{DC}500\text{V}$
- Wire Range: 22~12AWG, 4mm^2
- Max. Torque Value: M3.5, 8.16kgf.cm
- Undimensioned Tolerances:

Pitch range in mm		Nominal dimension range in mm					
to	over	to	over	to	over		
6	6 to 10	6 to 10	6 to 30	30 to 90	90 to 200	200 to 480	
± 0.10	± 0.15	± 0.25	± 0.1	± 0.2	± 0.3	± 0.5	± 0.7
							$0.05/10$



SECTION A-A



ITEM	NAME OF PART	NO. OF PART	Q"TY	MATERIAL	NOTES
1	DG49" Screw	S000000770 (H)	2XX	Steel	Ni-Plated
2	DG49 Pin	5022B00040 (H)	XX	Brass	Tin-Plated
3	DG49 Housing	5022MOYXXA (H)	1	PC	UL94V-2

MM (INCH)		DFTO Home	DATE 04/01/06"	DEGSON® 宁波高正电子有限公司 DEGSON ELECTRONICS CO., LTD	
TOLERANCES EXCEPT AS NOTED		CHKD	DATE	NAME DG49-A-XXP-1Y-00A(H)	
		MFO	DATE		
		APPVL	DATE		
MATERIAL :		G.E :		DRAWING NO. DG49-E04	
ANGLES $\pm 1^{\circ}$		FINISH :		/PART NO.	
THIRD ANGLE PROJECTION		SCALE : 1:1		DO NOT SCALE DRAWING	
				SHEET 1 OF 1	