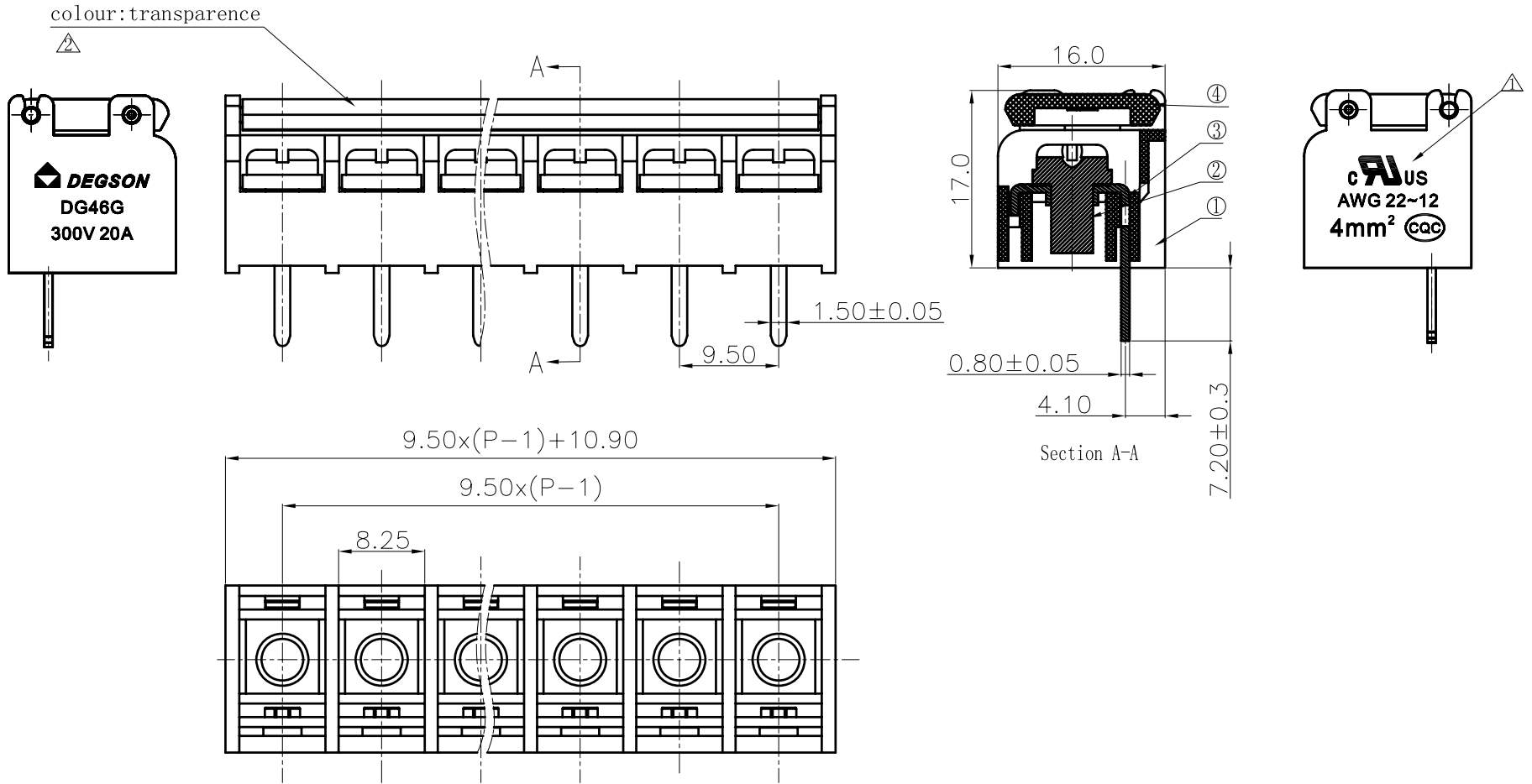


REVISION RECORD				
REV	ECN	DESCRIPTION	DRFT	DATE
△		增加UL刻字	C SX	12/01/06
△	ECN10-0264	更新图画	Z XX	08/17/10*



- NOTES:
1. Pitch: 9.5mm, Poles: 2p-12p;
 2. Rated: 300V/20A; △
 3. Temp. Range: -40° C ~ +105° C;
 4. Withstand Voltage: AC2000V/1Min;
 5. Wire Range: 22-12AWG;
 6. Insulation Resistance: 500MΩ/DC500V;
 7. Max. Torque Value: 12.24Kgf.cm
 8. Undimensioned Tolerances:

Pitch range in mm			Nominal dimension range in mm					
to	over	over	to	over	over	over	over	∅
6	10	10	6	30	90	200	480	∇
±0.10	±0.15	±0.25	±0.1	±0.2	±0.3	±0.5	±0.7	0.05/10

4	DG46G-B-Cover	5013C07XXA (H)	1	PC	UL94V-2
3	DG46GS Pin header	5013B00040 (H)	XX	Brass	SnCe
2	M4*8 (7.5*7.5) Bright screws	S000000570 (H)	XX	Steel	Ni plated

ITEM	NAME OF PART	NO. OF PART	Q"TY	MATERIAL	NOTES
1	DG46G-B-Housing	5013A0YXXA (H)	1	PA66	UL94V-0

TOLERANCES EXCEPT AS NOTED		DFTO Home		DATE 04/20/06*	
MM	±	CHKD	DATE	DEGSON® 宁波高正电子有限公司	
.0 ±	±	MFO	DATE	DEGSON ELECTRONICS CO., LTD	
.00 ±	±	APPVL	DATE	NAME	
.000 ±	±	MATERIAL :		DG46GS-B-XXP-1Y-00A(H)	
ANGLES ± 1°		G.E :		DRAWING NO. DG46GS-E08	
THIRD ANGLE PROJECTION		FINISH :		/PART NO.	
		SCALE : 1:1		DO NOT SCALE DRAWING	

SIZE	REV
A3	T2
08/17/10*	

SHEET 1	OF 1
---------	------