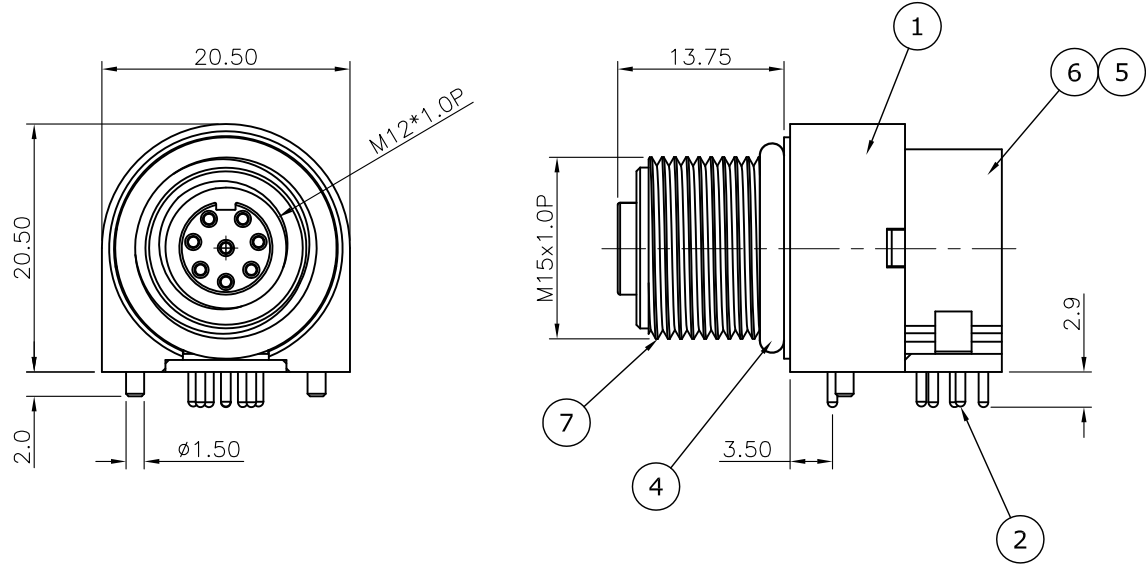
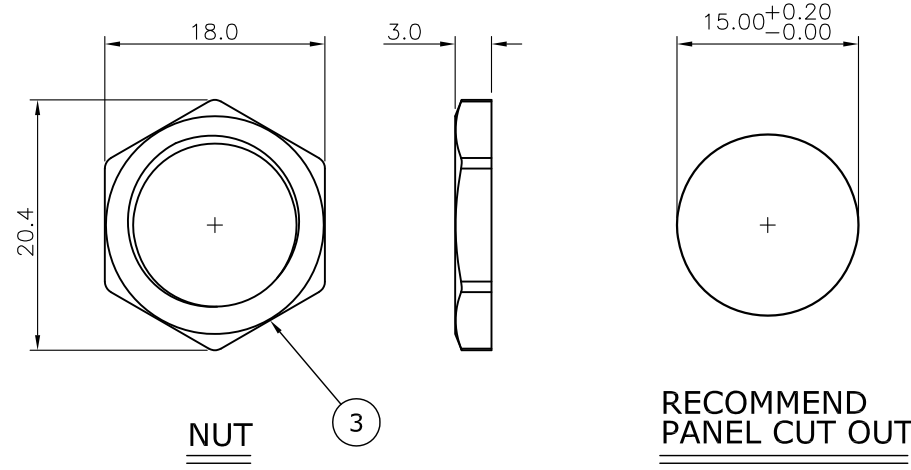
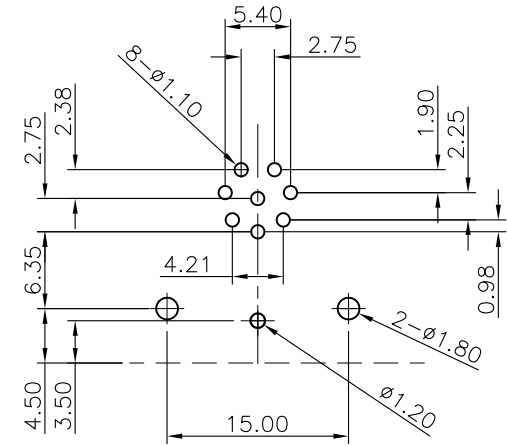


REV.	DESCRIPTION	DRAWN	DATE
1	INITIAL RELEASE	FROS	2016/03/07




- SPECIFICATION:**
1. Current Rating: 3A
 2. Voltage Rating: 125V
 3. Waterproof: IPX7
 4. Operation Temperature: -40°C to +85°C



RECOMMENDED PCB LAYOUT

7	Shell	Brass, Nickel plating
6	Base	PBT UL94V-0, Black
5	Back Housing	PBT UL94V-0, Black
4	O-Ring	NBR, Black
3	Nut	Brass
2	Contact	Brass, Gold Flash under Nickel plating
1	Cover	PBT UL94V-0, Black
NO.	PART NAME	DESCRIPTION

UNLESS OTHERWISE SPECIFIED TOLERANCE					
UNIT:	DECIMAL	LINEAR	ANGLES		
mm	X.	±0.50	±5°	WWW.ATTEND.COM.TW	
	X.X	±0.25	±3°		
	X.XX	±0.12	±1°		
DRAWN	Fros	2016/03/07	DRAWN NAME:		
CHECKED	Amy	2016/03/07	M12 A-Code Receptacle, 8 Pin		
APPROVED	Ken	2016/03/07	Female R/A DIP Type, Front Fastened		
SCALE	SHEET	SIZE	FILE NAME	PRODUCT NO.	
1.6/1	1/1	A4	216A-08FRF_B_1	216A-08FRF	