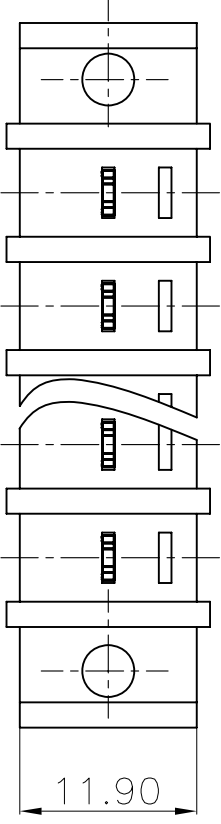
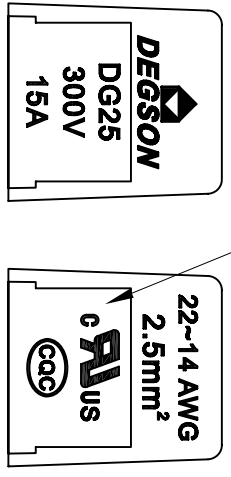
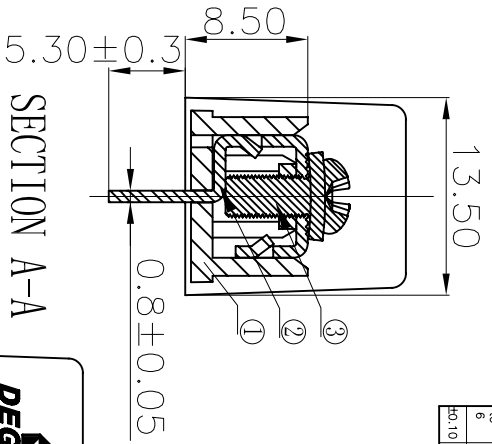
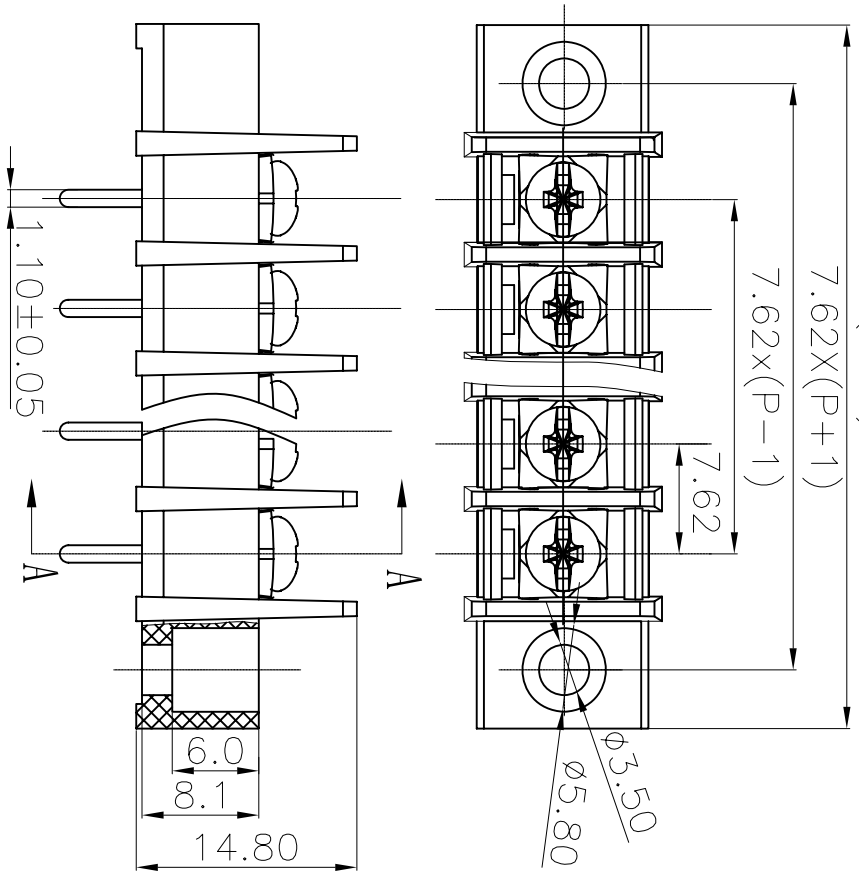


REVISION RECORD			
REV/ECO	DESCRIPTION	DRFT	DATE
△	图面更新	CSX	07/18/08
△	增加U1刻字	YeJ	11/06/08

NOTES:

1. Pitch: 7.62mm
2. Rated current: 15A
3. Rated voltage: 300V
4. Operation temperatures: -40° C ~ +105° C
5. Insulation Withstand Voltage: AC2000V/1Min
6. Insulation Resistance: 500MΩ /DC500V
7. Wire Range: 22~14AWG
8. Max. Torque: 5.10kgf. cm
9. Undimensioned Tolerances:

Pitch	over	over	over	over	over	over	over
in mm	in mm	in mm	in mm	in mm	in mm	in mm	in mm
6	10	10	10	10	10	10	10
10	24	10	30	30	30	200	480
10	15	10.25	±0.1	±0.2	±0.3	±0.5	±0.7



3	3#6 bright-Screw	S000000450 (H)	XX	Steel	Ni Plated
2	DG25C-Pin Header	5001B00010 (H)	XX	Brass	Snlce

1	DG25C Housing	5001M0YXXA (H)	1	PA66	UJ94V-0
ITEM	NAME OF PART	NO. OF PART	Q'TY	MATERIAL	NOTES
DETACHED LISTS TOLERANCES EXCEPT AS NOTED ANGLES ± 1° FINISH : SCALE : 1:1 THIRD ANGLE PROJECTION DO NOT SCALE DRAWING					
NAME : DG25C-A-XXP-1Y-00A (H) DRAWING NO. : DG25C-E11 /PART NO. : DEGSON 宁波高正电子有限公司 DEGSON ELECTRONICS CO., LTD.					
DATE 10/28/05		DATE		DATE	
MATERIAL :		MATERIAL :		MATERIAL :	
G.E. :		G.E. :		G.E. :	
FINISH :		FINISH :		FINISH :	
SCALE : 1:1		SCALE : 1:1		SCALE : 1:1	
THIRD ANGLE PROJECTION		THIRD ANGLE PROJECTION		THIRD ANGLE PROJECTION	
SCALE : 1:1		SCALE : 1:1		SCALE : 1:1	
FINISH :		FINISH :		FINISH :	
MATERIAL :		MATERIAL :		MATERIAL :	
G.E. :		G.E. :		G.E. :	
FINISH :		FINISH :		FINISH :	
SCALE : 1:1		SCALE : 1:1		SCALE : 1:1	
THIRD ANGLE PROJECTION		THIRD ANGLE PROJECTION		THIRD ANGLE PROJECTION	