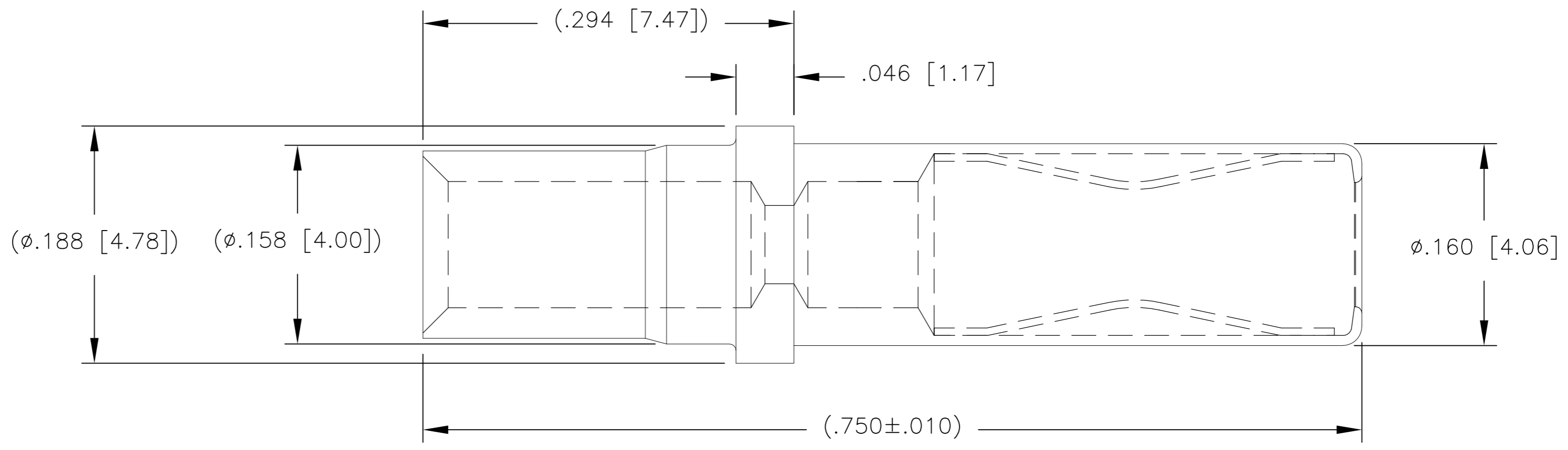


THIS DRAWING IS UNPUBLISHED. RELEASED FOR PUBLICATION
 © COPYRIGHT - By - ALL RIGHTS RESERVED.

EC		LOC	DIST	REVISIONS					
CPR		-	-	P	LTR	DESCRIPTION	DATE	DWN	APVD
				B1		REVISED PER ECO-11-005150	21MAR11	RK	HMR



- 4. FINISHES:
 SOCKET BODY: SILVER PLATED.
 CROWN: GOLD PLATED.
- 3. MATERIALS:
 SOCKET BODY: COPPER ALLOY.
 CROWN: BeCu
- 2. ITEMS PROVIDED TO THIS SPECIFICATION SHALL BE IDENTIFIED WITH THE FOLLOWING MINIMUM INFORMATION ON THE SHIPPING PACKAGE MFG IDENT, PART NUMBER AND DATE CODE OF MANUFACTURE.
- 1. PART NUMBER AND/OR DESIGN CHANGES AFFECTING ITEM INTERCHANGEABILITY REQUIRE PRIOR TE CONNECTIVITY APPROVAL AND AUTHORIZATION BY REVISION TO THIS DRAWING.

NOTES: UNLESS OTHERWISE SPECIFIED

THIS DRAWING IS A CONTROLLED DOCUMENT.		DWN	12/05/05	STE TE Connectivity	
		CHK	-		
DIMENSIONS: INCH(MM)		TOLERANCES UNLESS OTHERWISE SPECIFIED:		NAME	
		0 PLC	± -	D. CHAU	
		1 PLC	± -	12/05/05	
		2 PLC	± 0.02(0.5)	APVD	
		3 PLC	± 0.010(0.25)	PRODUCT SPEC	
MATERIAL		FINISH		APPLICATION SPEC	
-		-		-	
		WEIGHT		SIZE	
		-		A2	
		CUSTOMER DRAWING		CAGE CODE	
				00779	
		SCALE		DRAWING NO	
		10:1		C=6648318	
		SHEET		RESTRICTED TO	
		1 OF 1		-	
		REV		REV	
		B1		B1	