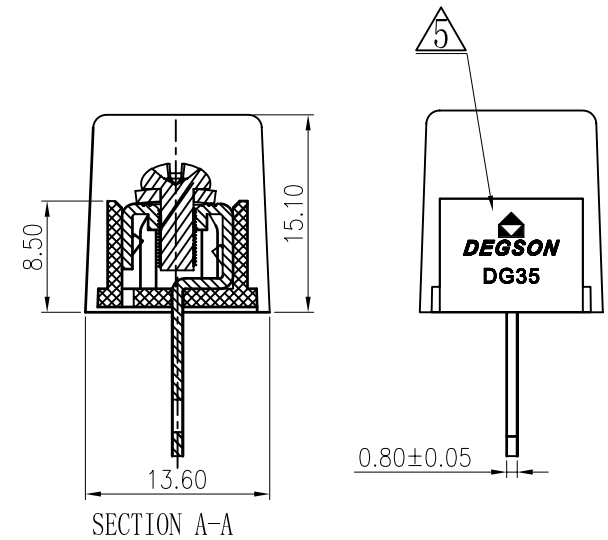
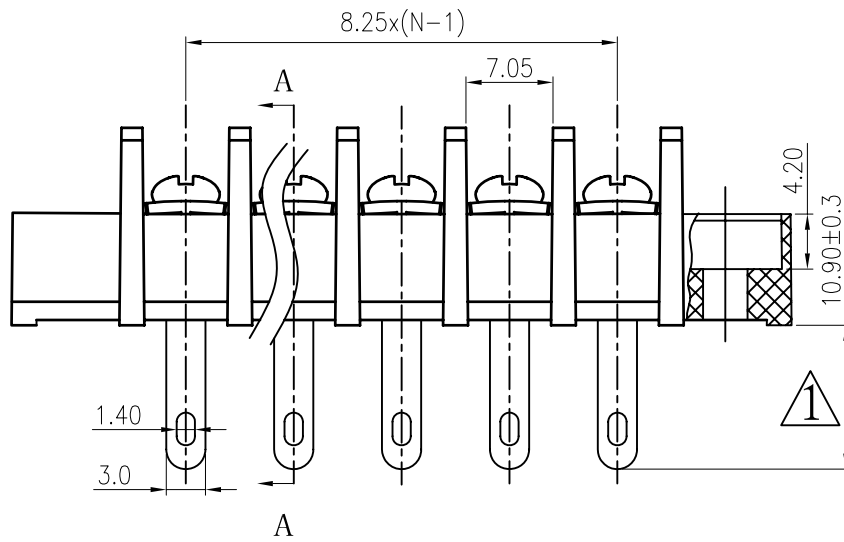
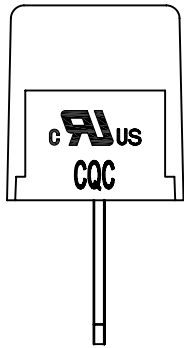


REVISION RECORD					
REV	ECO	DESCRIPTION	DRFT	DATE	
△		10.20±0.10---10.9±0.30	CSX	05/14/05	
△		图面更新	CSX	12/26/05	
△		增加UL刻字	CSX	06/05/06	
△		品名、料号增加环保标识“00”	YeJ	12/08/07	
△		工程变更, 商标品名改到侧面	LJH	09/03/08	



NOTES:

- Pitch: 8.25mm, Poles: 2P-24P
- Rated voltage/current: UL1059 300V/20A  
IEC 450V/32A
- Operation temperature: -40° C ~ +105° C
- Withstanding Voltage: AC2000V/1Min
- Insulation Resistance: 500MΩ/DC500V
- Wire Range: 22-12AWG; 4mm<sup>2</sup>
- Max. Torque Value: M3, 5.10Kgf.cm
- Undimensioned Tolerances:

Pitch range in mm			Nominal dimension range in mm					
to	over	over	to	over	over	over	—	
6	10	10	30	60	100	150	☺	
to 6	to 10	to 24	to 30	to 60	to 100	to 150	◻	
±0.10	±0.15	±0.25	±0.2	±0.3	±0.5	±0.7	±1.0 0.05/10	

3	3*6 bright-Screw	S000000450 (H)	XX	Steel	Ni Plated
2	DG25H-Pin Header	5001B00030 (H)	XX	Brass	SnCe
1	DG35H-A-Housing	5002M0YXXA (H)	1	PA66	UL94V-0
ITEM	NAME OF PART	NO. OF PART	Q"TY	MATERIAL	NOTES

DETACHED LISTS	MM (INCH)	DFTO CSX	DATE 05/13/05	宁波高正电子有限公司 DEGSON ELECTRONICS CO., LTD
	TOLERANCES EXCEPT AS NOTED	CHKD	DATE	
		MFO	DATE	
		APPVL	DATE	
	MM	MATERIAL :		NAME DG35H-A-XXP-1Y-00A(H)
.0 ±	±	G.E :	DRAWING NO. DG35H-E03	
.00 ±	±	FINISH :	/PART NO.	REV T5
.000 ±	±	SCALE : 1:1	DO NOT SCALE DRAWING	09/03/08
ANGLES ± 1'	THIRD ANGLE PROJECTION		SHEET 1	OF 1