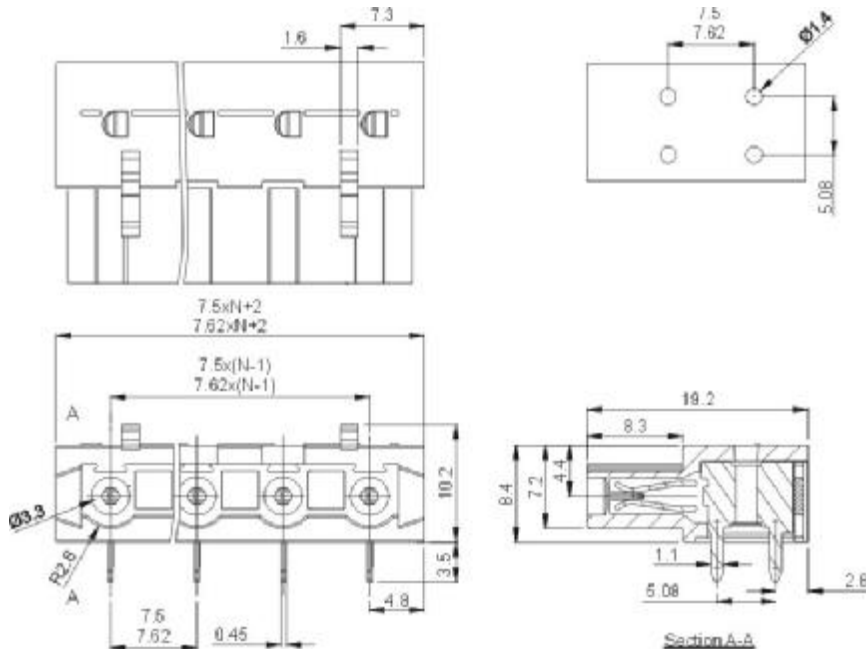
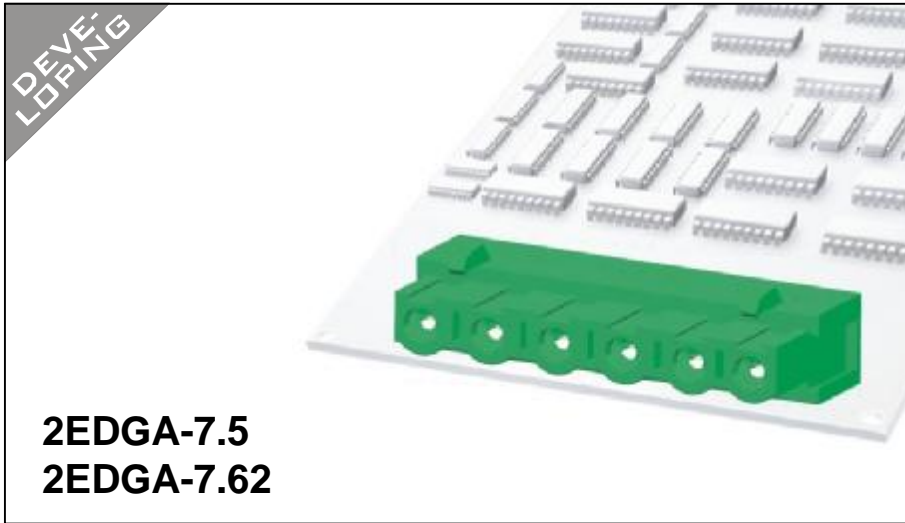




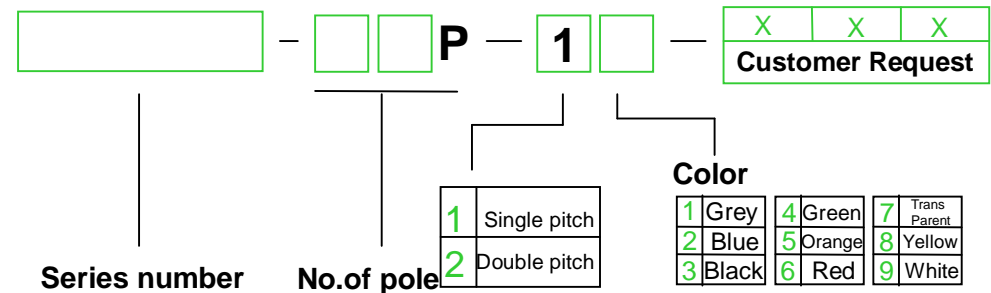
DEGSON ELECTRONICS CO., LTD.

Product Specification



APPROVAL		
Electrical		
Standard	UL	IEC
Rated voltage	300V	400V
Rated current	15A	20A
Withstanding voltage	AC2500V/1Min	
Mechanical		
Ambient temperature	-40°C ~ +105 °C	
Dimensions		
Pitch	7.5mm(.295) 7.62mm(.300")	
Poles	2P-12P	
Material		
Housing	PA66, UL94 V-0	
Contact	Phosphor bronze, Tin plated	

HOW TO ORDER :



mm (INCH)	DEGSON ELECTRONICS CO., LTD.
THROUGHTLE PROJECTION	NAME 2EDGA-7.5 2EDGA-7.62