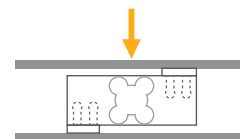


LP242

Single Point Load Cell



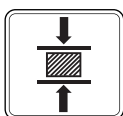
Applications



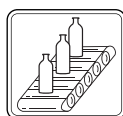
Large Bench



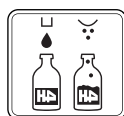
Small Bench



Testing
Machines



Dynamic
Weighing



Packing & Filling
Applications

Key Features

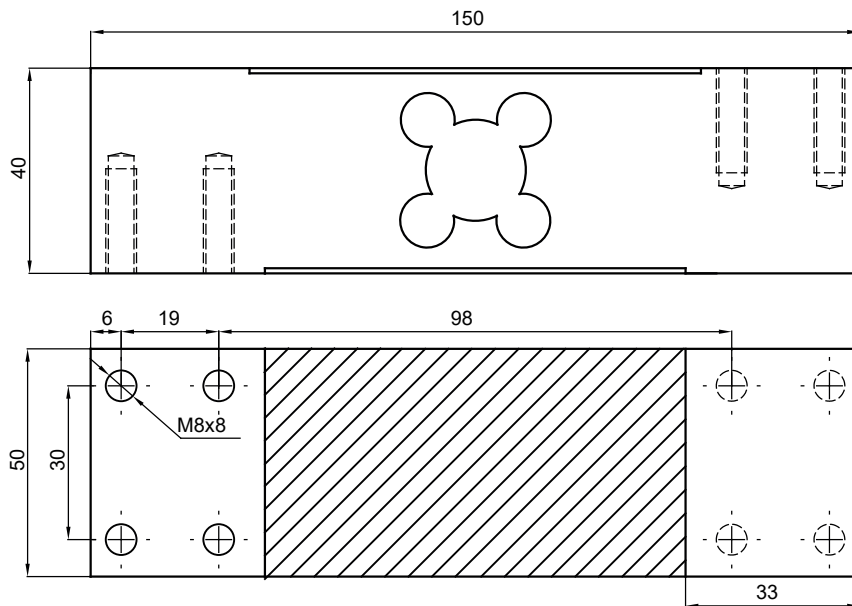
- Capacities: 50~500 kg
- OIML approved (100~500 kg)
- Aluminium construction
- Protection class: IP65
- Max.platform size : 500 x 500 mm

LP242 is aluminium-alloy construction and adhesive sealed single point type loadcell with IP65 protection. It is suitable for bench scale, counting scale, packing machines and similar electronic weighing devices or testing machines.

Technical Specifications

Model		LP242	
Capacity (E_{max})	kg	50 / 60	100 / 150 / 200 / 250 / 300 / 400 / 500
Accuracy class according to OIML R60		Non Approved	C4
Rated output (RO)	mV / V		2.0 ± 0.2
Maximum number of load cell verification intervals (n_{LC})		3000	4000
Minimum load cell verification interval (v_{min})			$E_{max} / 15000$
Temperature effect on zero	%RO / 10°C		± 0.02
Temperature effect on sensitivity	%RO / 10°C		± 0.01
Combined error	%RO		± 0.0230
Safe load limit	% E_{max}		150
Ultimate load	% E_{max}		300
Zero balance	%RO		± 2.0
Creep error (30 minutes)	%RO		± 0.02
Excitation voltage, recommended	V (DC)		10
Excitation voltage, maximum	V (DC)		15
Input resistance	Ω		404 ± 10
Output resistance	Ω		350 ± 3
Insulation resistance (at 50 V DC)	M Ω		≥ 2000
Compensated temperature range	°C		- 10...+ 40
Operating temperature range	°C		- 20...+ 50
Material		Aluminium	
Protection class		IP65	
Cable		Shielded, 4 conductor cable, length: 1.8 m / diameter: 5 mm	
Maximum platform size	mm	500 x 500	

Dimensions (mm)



Color Codes

Function	Colors
+ input	blue
+ output	white
- input	black
- output	red
shield	