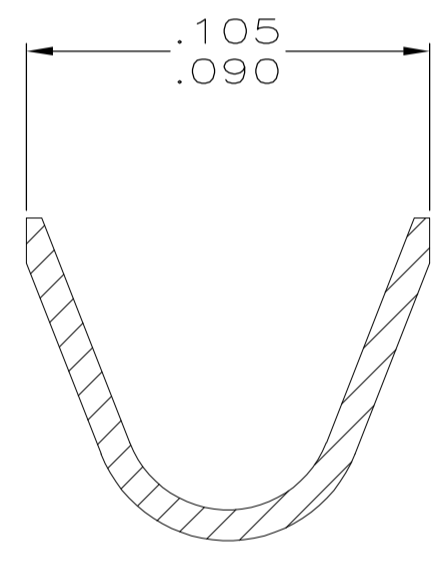
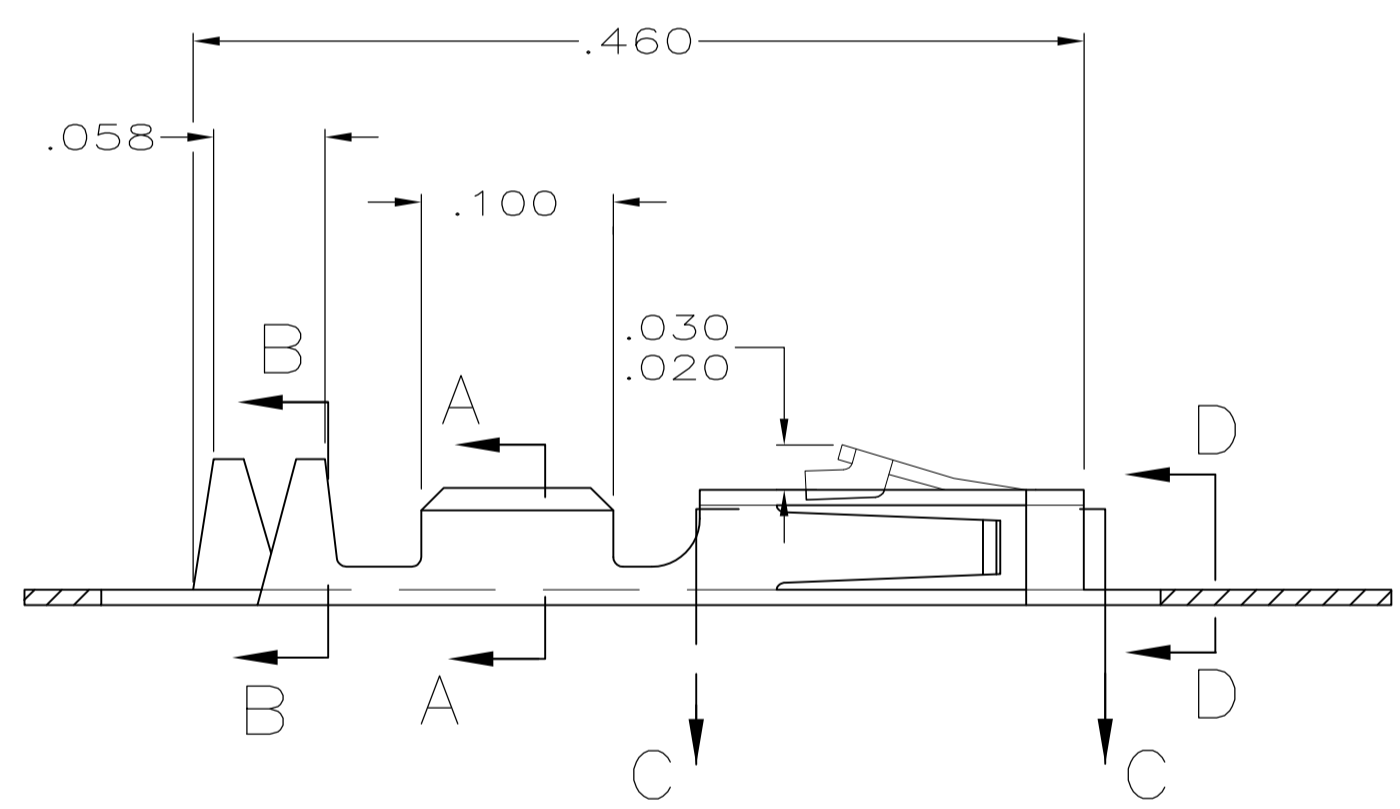
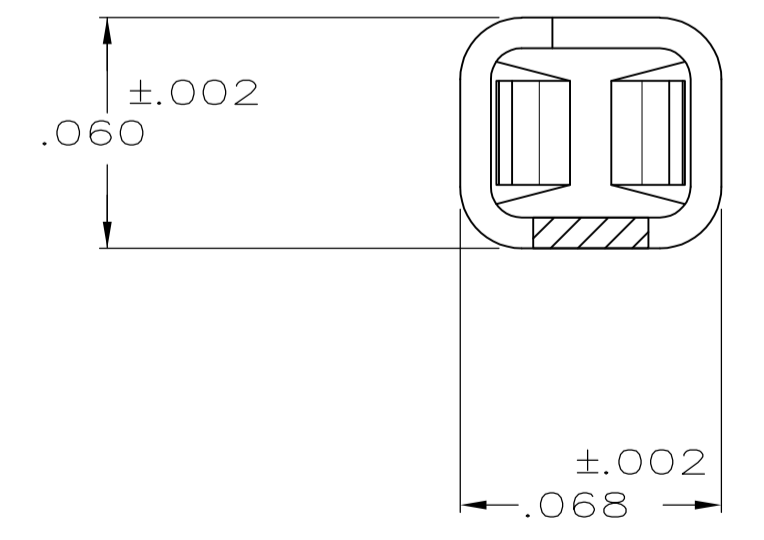
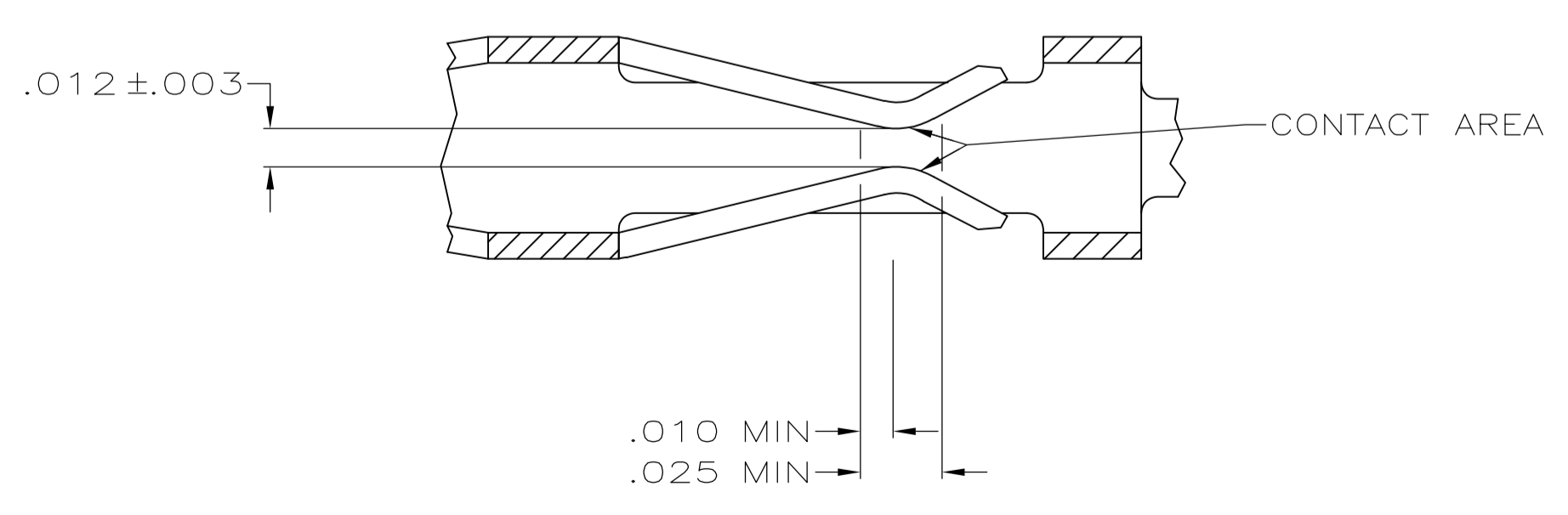


SECTION A-A
SCALE 20:1

- 1 .000100 MIN BRIGHT TIN-LEAD OVER .000050 MIN NICKEL ON ENTIRE CONTACT
- 2 .000050 MIN NICKEL ON ENTIRE CONTACT; .000015 MIN GOLD ON CONTACT AREA; .000050 MIN BRIGHT TIN-LEAD ON AREA M.
- 3 .000050 MIN NICKEL ON ENTIRE CONTACT; .000030 MIN GOLD ON CONTACT AREA; .000050 MIN BRIGHT TIN-LEAD ON AREA M.
- 4 LOOSE PIECE CUT-OFF DIMENSION.
- 5 OBSOLETE PART NUMBER.
- 6 .000015 MIN GOLD ON CONTACT AREA, .000050 MIN TIN ON AREA M, ALL OVER .000050-.000100 NICKEL ON ENTIRE CONTACT.
- 7 .000030 MIN GOLD ON CONTACT AREA, .000050 MIN TIN ON AREA M, ALL OVER .000050-.000100 NICKEL ON ENTIRE CONTACT.
- 8 .000100-.000200 TIN OVER .000050 MIN NICKEL ON ENTIRE CONTACT.



SECTION B-B
INSULATION RANGE .025-.060
SCALE 20:1



SECTION D-D
SCALE 20:1

SECTION C-C
SCALE 20:1

REMARKS	FINISH	PART NO
STRIP	8	1-104480-7
LOOSE PIECE	7 REF	1-104480-6
LOOSE PIECE	6 REF	1-104480-5
LOOSE PIECE	8 REF	1-104480-4
STRIP	7	1-104480-3
STRIP	6	1-104480-2
LOOSE PIECE		1-104480-1
LOOSE PIECE		1-104480-0
LOOSE PIECE	3 REF	104480-9
LOOSE PIECE	2 REF	104480-8
LOOSE PIECE	1 REF	104480-7
STRIP		104480-6
STRIP		104480-5
STRIP	3	104480-4
STRIP	2	104480-3
STRIP	1	104480-2

THIS DRAWING IS A CONTROLLED DOCUMENT.

DIMENSIONS: INCHES	TOLERANCES UNLESS OTHERWISE SPECIFIED:	DIN C. OBERMAN 5-10-89	TE Connectivity
0 PLC ± -	1 PLC ± -	5-12-89	
2 PLC ± -	3 PLC ± .005	4 PLC ± -	NAME: K. HELM PRODUCT SPEC: 108-1472 APPLICATION SPEC: 114-25038
MATERIAL: PHOSPHOR BRONZE	FINISH: SEE TABLE	WEIGHT: -	SIZE: A1 CAGE CODE: 00779 DRAWING NO: 104480 RESTRICTED TO: -

CUSTOMER DRAWING SCALE 10:1 SHEET 1 OF 1 REV S1

Mouser Electronics

Authorized Distributor

Click to View Pricing, Inventory, Delivery & Lifecycle Information:

[TE Connectivity:](#)

[1-104480-6](#)