

版本：V2.2

*開關產品未經SWITRONIC同意，請勿拆解，否則無法負責品質及安全責任。

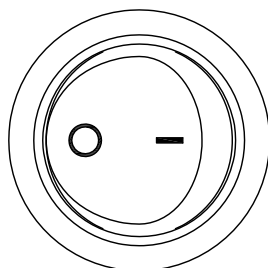
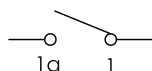
Please do not decompose the switch without any permission from SWITRONIC, otherwise the quality and safety responsibility could not be guaranteed.

*本圖面若與目錄之規格尺寸不符，以本圖面規格尺寸為主。

Below is our main specification if different from catalog.

RoHS compliant

CIRCUIT SPST



POLE FUNCTION	OPTIONS OF FUNCTION		
	A	Center	B
SPST	1-1a	None	OFF

SPECIFICATION

Rating: 10A 250V AC / 15A 125V AC.(UL)

10(4)A 250V AC.(VDE, ENEC10)

Function: OFF-ON.

Contact resistance: <20mΩ.(initial)

Insulation resistance: >1,000MΩ.(500V DC between open contacts)

Withstand voltage: >1,500V for 1 minute.

Minimum load: 300mA 10V DC.(reference only)

Mechanical life: >30,000 Cycles.

Electrical life: >10,000 Cycles.

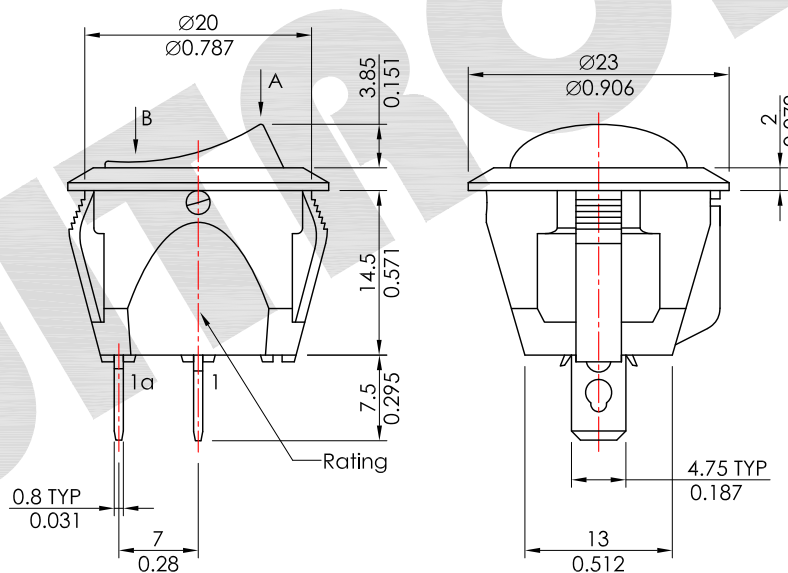
Temperature rise at the terminal: 30°C Max.

When proceed with soldering, please pay attention to following:

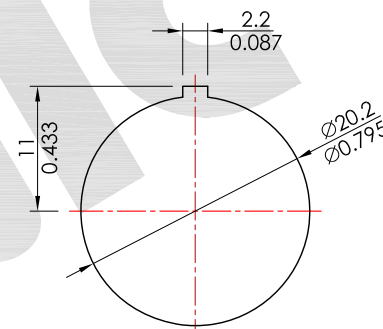
For manual soldering method, must use 30W soldering iron and complete the operation under 350°C within 3 seconds.

Note1: Unwashable, don't be immersed by epoxy and organic solvent.

Note2: Please check the actual size, do not scale the drawing page.



MOUNTING HOLE



Thickness: 3mm Max.

MARKING refer to our catalog **RoHS compliant**

RC15XXXXT-G

HOUSING COLOR		ROCKER COLOR	
B	Black	B	Black
W	White	W	White
G	Gray	G	Gray
		R	Red
		Y	Yellow
		GN	Green



V2.2	△		
V2.1	無	改版	2015.07.29
V2.0	無	新繪製	2010.10.08
版本 VER.	符號 SYMBOL	修改內容 ALTERATION	更新日期 DATE

產品 PRODUCT		Rocker Switch		型號 MODEL NO.		RC15BBBT-G	
製圖 DRAWN BY	核圖 CHECKED BY	主管 APPROVED BY		單位 UNIT	mm inch		
Allen Liao	Chuck Young	Margaret Lee		比例 SCALE	3 : 2		
				公差 TOLERANCE	.X=0.4mm .XX=0.25mm ±.XXX=0.016in ±.XXXX=0.098in		

SWITRONIC
INDUSTRIAL CORP.
Switches



一綺電子企業股份有限公司

總公司：110 台北市信義路四段415號13樓之3

13F-3 NO. 415, SEC. 4, HSIN YI ROAD, TAIPEI, TAIWAN

TEL : 886-2-27290229 (Rep.) FAX : 886-2-27582086

URL : http://www.switronic.com.tw

E-MAIL : switches@ms36.hinet.net