

Taping Specification

Straight Leads (05D, 07D)

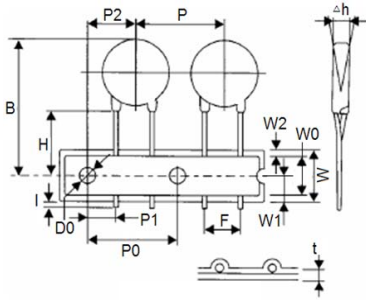


Fig. 1

Straight Leads (10D)

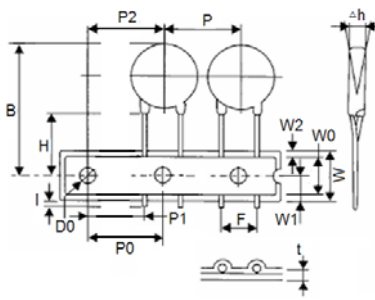


Fig. 2

Straight Leads (14D, 20D)

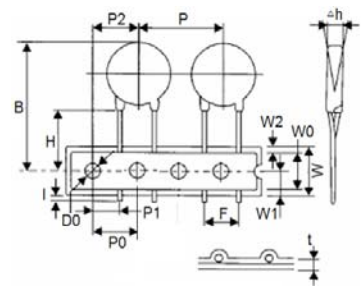


Fig. 3

Outside Crimped Leads (05D, 07D)

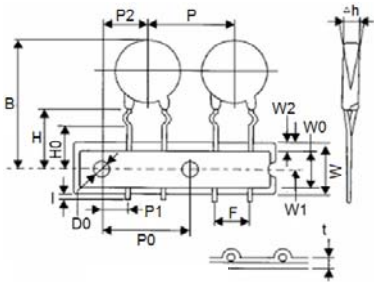


Fig. 4

Outside Crimped Leads (10D)

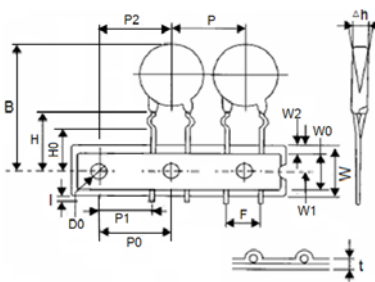


Fig. 5

Outside Crimped Leads (14D, 20D)

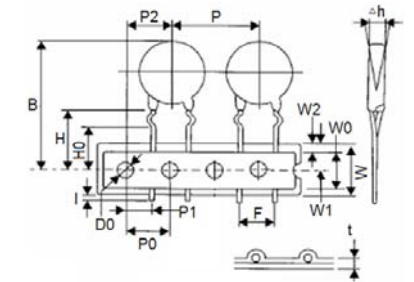


Fig. 6

Vertical Crimped Leads (05D, 07D)

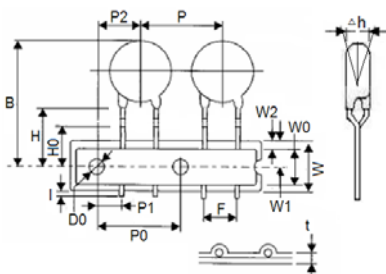


Fig. 7

Vertical Crimped Leads (10D)

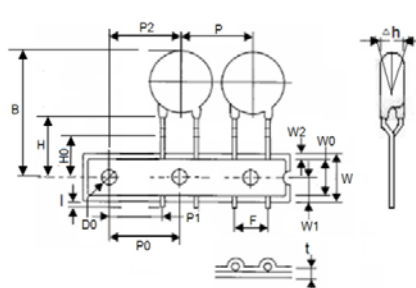


Fig. 8

Vertical Crimped Leads (14D, 20D)

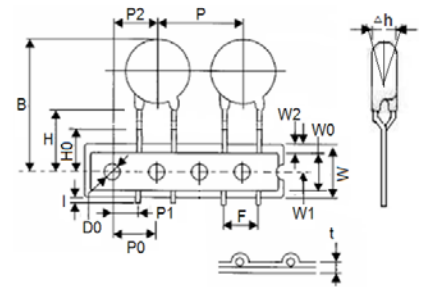
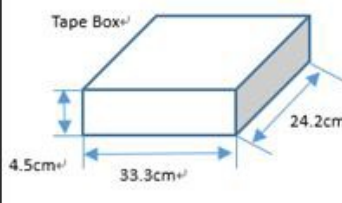
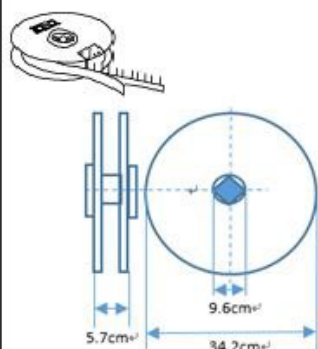


Fig. 9

Symbol	Parameter	Series					
		05D	07D	10D (new)	10D (old)	14D	20D
P	Pitch of Component	12.7 ± 1.0	12.7 ± 1.0	12.7 ± 1.0	15.0 ± 1.0	25.4 ± 1.0	25.4 ± 1.0
P0	Feed Hole Pitch	12.7 ± 0.3	12.7 ± 0.3	12.7 ± 0.5	15.0 ± 0.3	12.7 ± 1.0	12.7 ± 1.0
P1	Feed Hole Center to Lead	3.85 ± 0.7	3.85 ± 0.7	8.55 ± 0.7	3.75 ± 0.7	8.95 ± 0.7	7.7 ± 0.7
P2	Hole Center to Component Center	6.35 ± 1.3	6.35 ± 1.3	12.7 ± 1.3	7.5 ± 1.3	12.7 ± 1.3	12.7 ± 1.3
F	Lead to Lead Distance	5.0 ± 0.8	5.0 ± 0.8	7.5 ± 0.8	7.5 ± 0.8	7.5 ± 0.8	10.0 ± 0.8
△h	Component Alignment	0 ± 2	0 ± 2	0 ± 2	0 ± 2	0 ± 4	0 ± 4
W	Tape Width	18.0 ± 1.0	18.0 ± 1.0	18.0 ± 1.0	18.0 ± 1.0	18.0 ± 1.0	18.0 ± 1.0
W	Hold Down Tape Width	12.0 ± 1.0	12.0 ± 1.0	12.0 ± 1.0	12.0 ± 1.0	12.0 ± 1.0	12.0 ± 1.0
W	Hold Position	9.0 ± 0.5	9.0 ± 0.5	9.0 ± 0.5	9.0 ± 0.5	9.0 ± 0.5	9.0 ± 0.5
W	Hold Down Tape Position	3.0max	3.0max	3.0max	3.0max	3.0max	3.0max
H	Height from Tape Center to Component	16.0 ± 1.0	16.0 ± 1.0	16.0 ± 1.0	16.0 ± 1.0	16.0 ± 1.0	16.0 ± 1.0
H	Height from Tape Center to Component	20.0 ± 2.0	20.0 ± 2.0	20.0 ± 2.0	20.0 ± 2.0	20.0 ± 2.0	20.0 ± 2.0
l	Length of Clipped Lead	1.0max	1.0max	1.0max	1.0max	1.0max	1.0max
D	Feed Hole Diameter	4.0 ± 0.2	4.0 ± 0.2	4.0 ± 0.2	4.0 ± 0.2	4.0 ± 0.2	4.0 ± 0.2
t	Total Tape Thickness	0.6 ± 0.3	0.6 ± 0.3	0.6 ± 0.3	0.6 ± 0.3	0.6 ± 0.3	0.6 ± 0.3
B	Height from Tape Center to Component	32max	32max	36max	36max	40max	45max
UNIT: mm							

Packaging Specifications

Packing	Dimensions in mm	Series	Quantity(pcs)	
Ammo		05D、07D	180L-471K	1500
			511K-182K	1000
		10D	180L-561K	1000
			621K-182K	500
		14D	180L-561K	500
			621K-182K	400
20D	180L~	500		
Reel		05D	180L-511K	2000
			561K~	1500
		07D	180L-471K	2000
			511K~	1500
		10D	180L-681K	1000
			751K~	750
		14D	180L-561K	750
			621K~	500
		20D	180L~	500