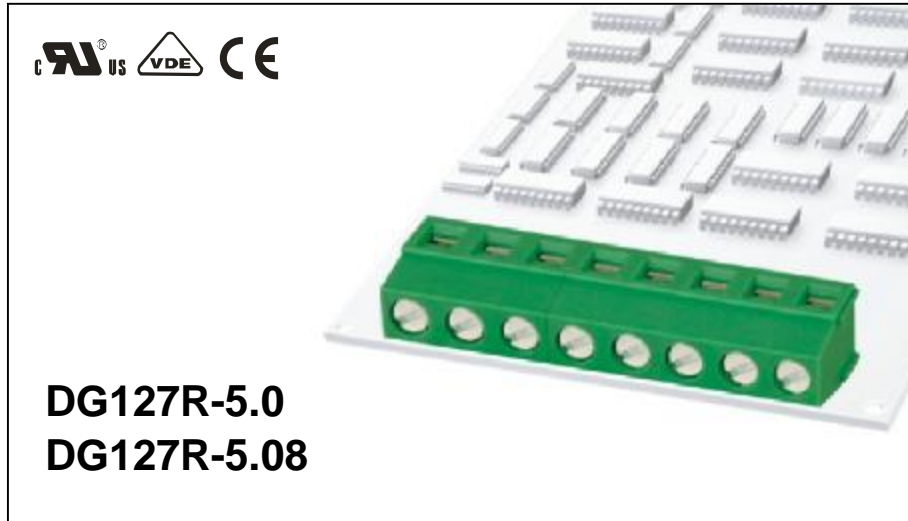


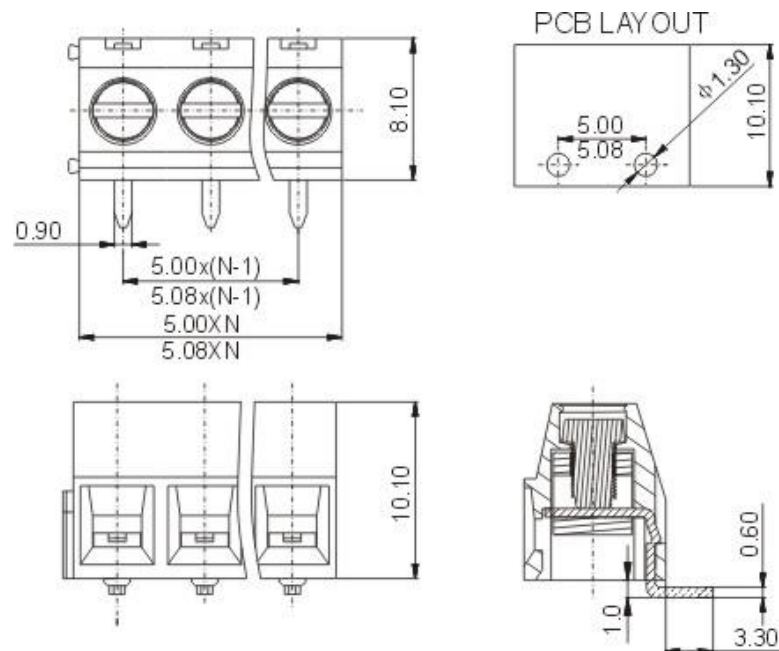


DEGSON ELECTRONICS CO., LTD.

Product Specification

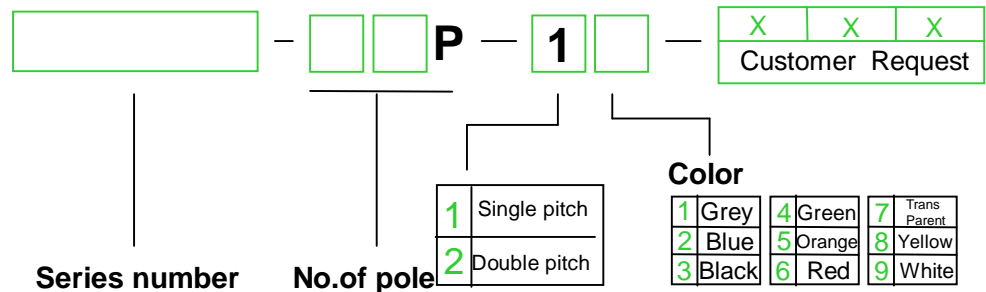


DG127R-5.0
DG127R-5.08



APPROVAL		
Electrical		
Standard	UL	IEC
Rated voltage	300V	250V
Rated current	12A	15A
Wire range	26-14AWG	1.5mm ²
Withstanding voltage	AC2000V/1Min	
Menchanical		
Torque	0.4Nm(3.5Lb-In)	
Ambient temperature	-40°C~+105 °C	
Strip length	6mm	
Dimensions		
pitch	5.0mm(.197") 5.08mm(.200")	
Poles	2P,3P-24P	
Material		
Housing	PA66,UL94V-0	
Screws	M2.5,Steel, Cr ³⁺ Znplated	
Pin header	Brass,Tin plated	
Cage	Brass,Ni plated	

HOW TO ORDER :



	DEGSON ELECTRONICS CO., LTD.
	NAME DG127R-5.0 DG127R-5.08