

## *Data Sheet*

Customer: \_\_\_\_\_

Product: Aluminum Electrolytic Capacitors – EHL Series

Size : 22x25mm ~ 35x60mm

Issued Date: 30-May.-2016

Edition: Ver. 1

### Record of change

Date	Ver.	Description	Page
30-May-2016	1		

### **HITANO ENTERPRISE CORP.**

7F-7, No. 3, Wu Chuan 1<sup>st</sup> Road, New Taipei Industrial Park,

New Taipei City, TAIWAN, R.O.C.

Tel: +886 2 2299 1331 (Rep.)

Fax: +886 2 2298 2466, 2298 2969

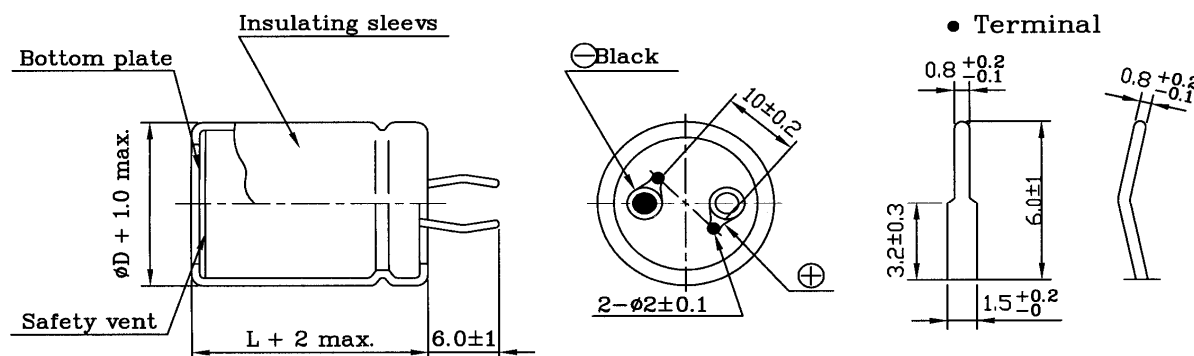
Prepared by	Checked by	Approved by	Accepted by (customer)
30-May-2016	30-May-2016	30-May-2016	
<i>Andy Hsu</i>	<i>Hwa Wu</i>	<i>Hwa Wu</i>	

- 105°C 5000 hours assured life.
- Directly mountable on printed circuit board without holders.
- Low ESR and long life.
- Terminal spacing fixed at 10mm for PC board plug in.
- Aluminum case designed explosion-proof vent.

**Characteristics**

<b>Voltage Range</b>	10 ~ 100V				160 ~ 500V				
<b>Capacitance Range</b>	560 ~ 47000uF				47 ~ 1500uF				
<b>Temperature Range</b>	-40 ~ +105°C				-25 ~ +105°C				
<b>Capacitance Tolerance</b>	±20% at 120Hz, 20°C ( 10% Tol. is available upon request)								
<b>Leakage Current</b>	$I = 3\sqrt{CV}$ (uA) max C: Capacitance, V:W.V. (After 5 minutes)								
<b>Dissipation Factor (tanδ)</b>	Rated voltage	10	16	25	35	50	63 ~ 400	450	500
	tanδ	0.55	0.40	0.30	0.25	0.20	0.15	0.20	0.25
at 20°C, 120Hz									
<b>Stability at Low Temperature</b>	Impedance ration at 120Hz between the -25°C or -40°C value and 20°C value shall not exceed the values given below.								
	Rated Voltage (V)	10, 16	25	35	50, 63	80, 100	160~400	450~500	
	Z-25°C/Z 20°C	4	3	3	2	2	4	6	
	Z-40°C/Z 20°C	15	10	8	6	5	-	-	
<b>Load Life</b>	The following specifications shall be satisfied when the capacitors are restored to 20°C after rated working voltage applied for 5,000 hours at max. Operating temperature.								
	Capacitance change	≤ ±25% of the initial value.							
	Dissipation factor	≤ ±250% of the initial specified value							
<b>Shelf Life</b>	After storage for 1000 hours at 105°C with no voltage applied, the capacitor shall meet the specified limit in load life.								
	Leakage current	≤ The initial specified value.							

**Diagram of dimensions**



**Multiplier for Ripple Current VS Frequency**

W.V.(Vdc)\ (Hz)	50/60	120	300	1K	10K	50K
10 ~ 50	0.95	1	1.03	1.05	1.08	1.08
63 ~ 100	0.93	1	1.07	1.13	1.19	1.20
160 ~ 250	0.81	1	1.17	1.32	1.45	1.50
350 ~ 500	0.71	1	1.16	1.30	1.41	1.43

(mm)

Dia	22	25	30	35
$\alpha$	2	2	3	3











## Part Numbering Designation

<u>EHL</u>	<u>101</u>	<u>M</u>	<u>2G</u>	<u>B</u>	<u>A</u>
SERIES	CAPACITANCE	TOL.	W.V.	PACKAGE	SIZE
	IN 3DIGITS	M= ± 20%	16= 16V	B= Bulk	A= A Size
	101= 100uF	K= ± 10%	25= 25V		B= B Size
	102= 1000uF		35= 35V		C= C Size
	103= 10,000uF		50= 50V		D=D Size
			63= 63V		
			80= 80V		
			2A= 100V		
			2C= 160V		
			2D= 200V		
			2E= 250V		
			2V= 350V		
			2G= 400V		
			2W= 450V		
			2H= 500V		