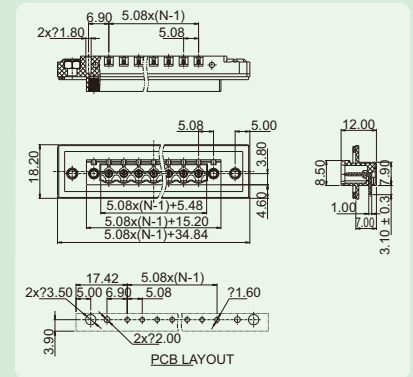
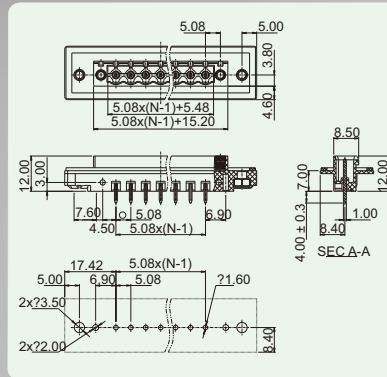


### 2CDGRM/VM-5.08-100AH

- 可安装于产品面板的穿墙式结构;
  - 防尘垫设计, 提供防尘保护功能;
  - 提供直针、弯针等多种规格选择。
- the through-wall structure can be installed on the panel of the equipment;
  - Dust-proof cushion design, offer dust-proof performance;
  - Various specification: straight needle , curved needle .



### 技术参数 Technical Data

APPROVAL: CE

型号 Model	线径 Wire range	线数 Poles	IEC61984技术参数(IEC61984 datasheet)				UL1059技术参数(UL1059 datasheet)			
			电压(V)	Rated voltage	电流(A)	Rated current	电压(V)	Rated voltage	电流(A)	Rated current
2CDGRM/VM-5.08-100AH	-	02-22P	320		20		300		15	

### 应用行业 Application

工业自动化、新能源、电力电气、仪器仪表、电梯、电源等行业。

Industrial automation, new energy, electric power, instrument, elevator, power supply etc.



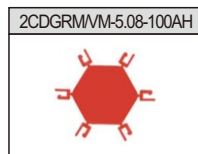
### 产品包装方式 Packing

Product model	Pcs./Pkt.	Product model	Pcs./Pkt.
2CDGRM/VM-5.08-02P-100AH	50	2CDGRM/VM-5.08-08P-100AH	50
2CDGRM/VM-5.08-03P-100AH	50	2CDGRM/VM-5.08-09P-100AH	50
2CDGRM/VM-5.08-04P-100AH	50	2CDGRM/VM-5.08-10P-100AH	50
2CDGRM/VM-5.08-05P-100AH	50	2CDGRM/VM-5.08-11P-100AH	50
2CDGRM/VM-5.08-06P-100AH	50	2CDGRM/VM-5.08-12P-100AH	50
2CDGRM/VM-5.08-07P-100AH	50		

### 产品匹配 Counterparts

Model	Counterpart
2CDGRM-5.08-100A	2EDGKM-5.08
2CDGVM-5.08-100A	

### 附件 Accessory



### 型号对照 Cross Reference

DEGSON	同行1/ Competitor1	同行2/ Competitor2
2CDGRM-5.08-100AH	DFK-MSTBA 2.5/X-GF-5.08	-
2CDGVM-5.08-100AH	DFK-MSTVA 2.5/X-GF-5.08	-

### 产品订货 How to order

