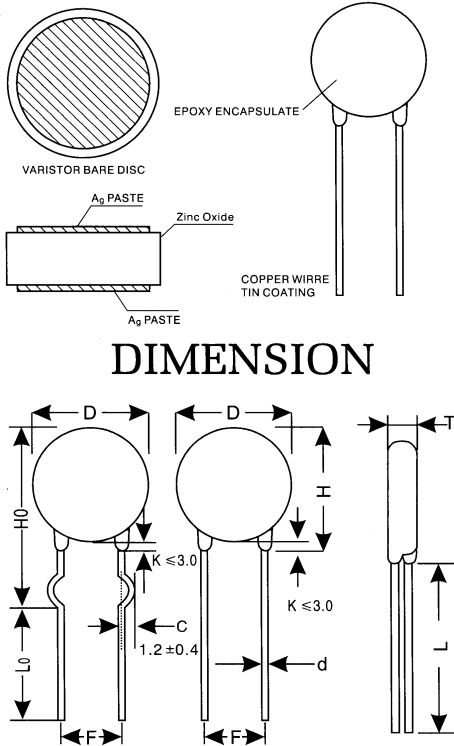


Materials and Dimensions



Dimension table (Unit : mm)

Series	D max	H max	Ho max	d	C±0.4	F
05D	7.5	10.5	13	0.6	1.2	5±0.8
07D	9	12	13.5	0.6	1.2	5±0.8
10D	12.5	16.5	17.5	0.8	1.4	7.5±0.8
14D	17	20	21	0.8	1.4	7.5±0.8
		22	23	0.8		*10±0.8
20D	23	26.5	28	0.8	1.4	7.5±0.8
				1.0		1.6
25D	28	32	34	1.0	1.6	10±1.0
						*12.7±1.0

*non standard lead space, available upon request.

Thickness (T) max. Table

Part No.	05D	07D	10D	14D	20D	25D
180L	3.9	3.9	4.3	4.3	4.8	4.8
220K	4.1	4.1	4.5	4.5	4.9	4.9
270K	4.3	4.3	4.7	4.7	5.0	5.0
330K	4.5	4.5	4.9	4.9	5.2	5.2
390K	4.5	4.5	5.1	5.1	5.4	5.5
470K	4.8	4.8	5.3	5.4	5.6	5.6
560K	4.8	4.8	5.5	5.6	5.6	5.7
680K	5.1	5.1	5.7	5.6	5.8	5.8
820K	3.8	3.8	4.3	4.3	4.7	4.9
101K	3.9	3.9	4.4	4.5	4.9	5.1
121K	4.1	4.1	4.5	4.6	4.9	5.3
151K	4.5	4.5	4.9	5.0	5.4	5.6
181K	3.9	3.9	4.3	4.3	5.0	5.2
201K	4.0	4.0	4.4	4.4	5.1	5.4
221K	4.0	4.0	4.4	4.4	5.2	5.5
241K	4.2	4.2	4.6	4.6	5.3	5.6
271K	4.4	4.4	4.8	4.8	5.5	5.8
301K	4.4	4.4	4.8	4.8	5.7	5.9
331K	4.5	4.5	4.9	4.9	5.8	6.1

Part No.	05D	07D	10D	14D	20D	25D
361K	4.7	4.6	5.0	5.0	6.0	6.4
391K	4.8	4.8	5.2	5.2	6.2	6.6
431K	5.1	5.1	5.5	5.5	6.6	6.9
471K	5.2	5.2	5.6	5.6	6.8	7.1
511K	5.6	5.6	5.8	5.7	7.0	7.2
561K	5.7	5.7	6.1	6.1	7.2	7.4
621K	6.0	6.0	6.4	6.4	7.5	7.7
681K	6.3	6.3	6.8	6.8	7.8	8.0
751K	6.7	6.8	7.2	7.2	8.2	8.4
781K	-	7.0	7.3	7.3	8.3	8.5
821K	-	7.2	7.6	7.5	8.5	8.7
911K	-	-	8.2	7.6	9.0	9.2
102k	-	-	8.5	8.0	9.5	9.7
112K	-	-	9.1	9.1	10.1	10.3
122K	-	-	9.9	9.0	10.6	11.8
142K	-	-	10.7	10.5	12.8	14.1
152K	-	-	11.2	11.0	11.8	12.0
162K	-	-	11.5	11.8	12.2	12.4
182K	-	-	12.6	12.0	13.2	13.4